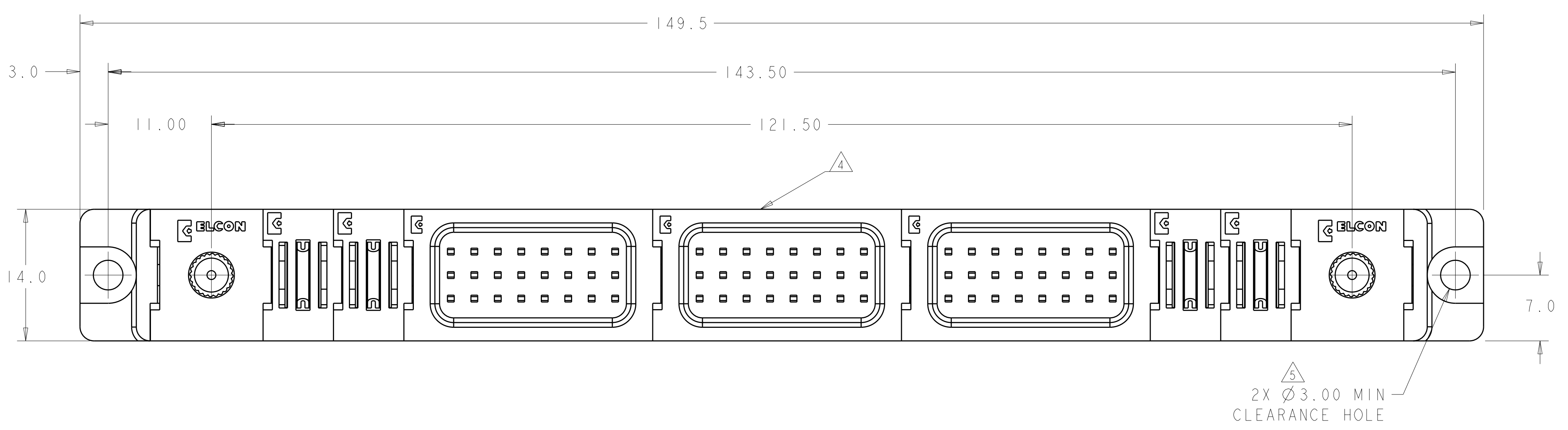
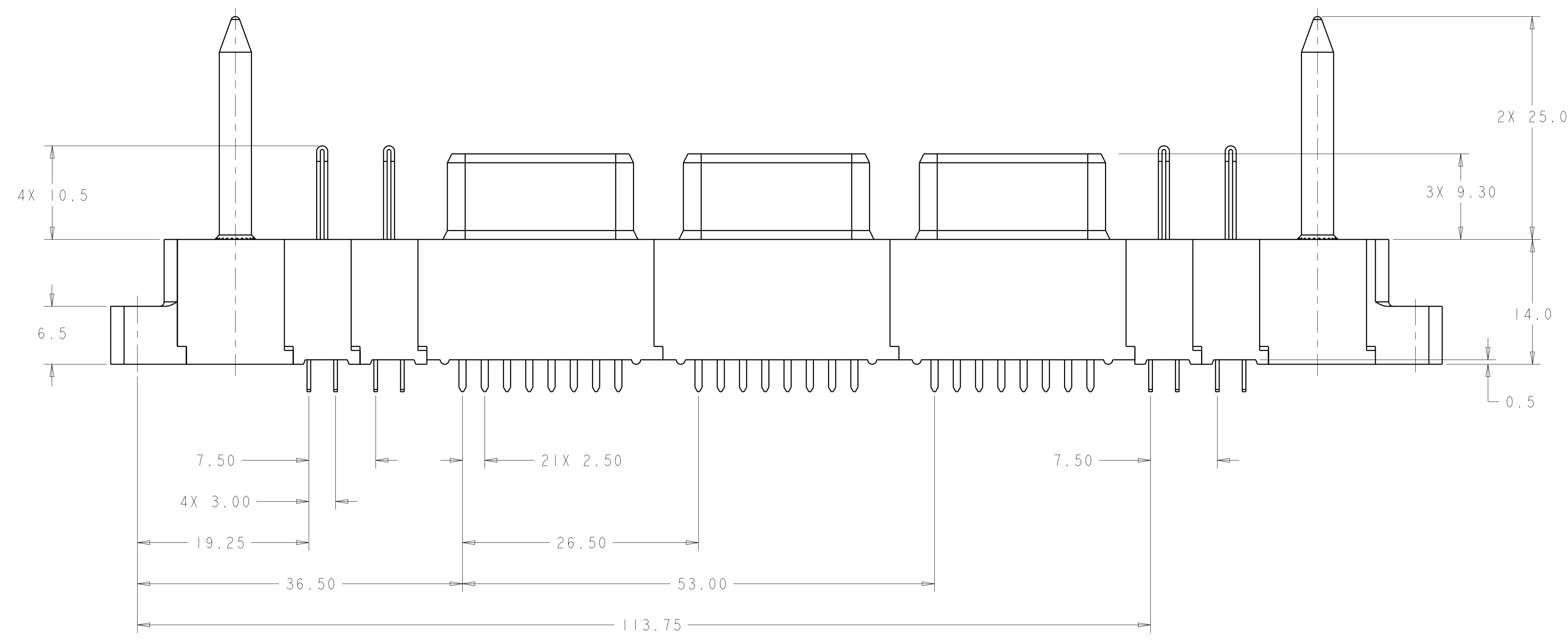


LOC	DIST	REVISIONS			
P	LTB	DESCRIPTION	DATE	DWN	APVD
A		RELEASED PER ECO-09-019917	02SEP2009	RG	MS
A1		REV PER ECO-09-021027	14SEP2009	RG	MS

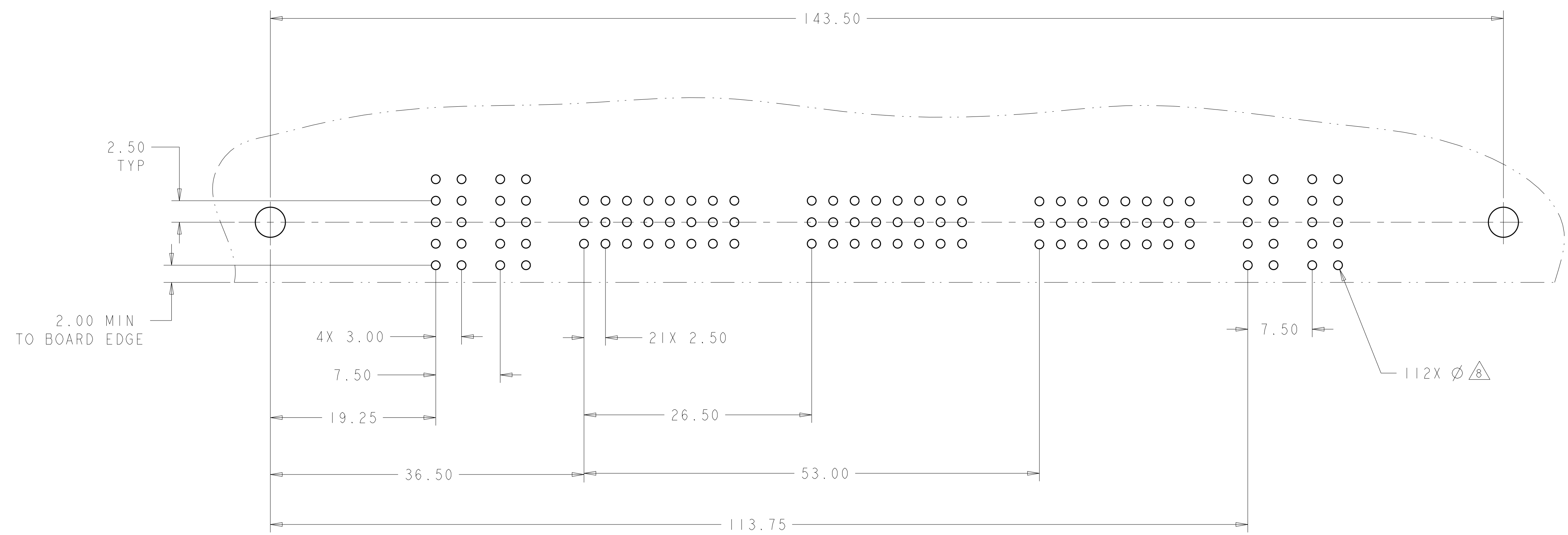


- PART NUMBER CHANGES AND OR DESIGN CHANGES AFFECTING ITEM INTERCHANGEABILITY REQUIRE PRIOR TYCO APPROVAL AND AUTHORIZATION BY REVISION TO THIS DRAWING.
  - MATERIAL:
    - INSULATORS - THERMOPLASTIC, GLASS REINFORCED, COLOR: BLACK
    - UL94V-0 FLAMMABILITY RATED.
    - POWER CONTACTS - PHOSPHOR BRONZE ALLOY, COPPER ALLOY
    - CROWN BAND - BERYLLIUM COPPER ALLOY
    - SIGNAL CONTACTS - BERYLLIUM COPPER ALLOY
    - GUIDE PIN - BRASS ALLOY
  - FINISH:
    - CONTACTS - GOLD PLATE .76µm MIN. THK., OVER NICKEL 1.27µm MIN. THK.
    - SOLDER TAILS - TIN 3.05 MIN. THK. OVER NICKEL 1.27µm MIN THK.
    - GUIDE PIN - NICKEL PLATE 1.27µm MIN THK.
- △ ITEMS PROVIDED TO THIS SPECIFICATION TO BE PERMANENTLY IDENTIFIED PER THE FOLLOWING IDENTIFIER LABEL
- YEAR WEEK  
 TYCO ELECTRONICS PART NO. DATE CODE (e.g. 0106)  
 XXXXXXX-X XXXX
- △ MOUNTING FLANGES ACCEPT #6 SCREWS. (USER SUPPLIED)
6. CONNECTOR MATES WITH PN 2085123-1



DIMENSIONS:		TOLERANCES UNLESS OTHERWISE SPECIFIED:		DWN C. ROHER 29JAN2009		AS SHOWN		2085124-1	
mm	0 PLC ±	1 PLC ±0.5	2 PLC ±0.25	3 PLC ±	4 PLC ±	5 PLC ±	DESCRIPTION		
MATERIAL		FINISH		APVD P. DAMATO 29JAN2009		Tyco Electronics		PART NUMBER	
				PRODUCT SPEC		Tyco Electronics		Harrisburg, PA 17105-3608	
				APPLICATION SPEC		NAME		SOCKET CONNECTOR STRAIGHT, SOLDER TAILS FLATPAQ	
				WEIGHT		SIZE		CAGE CODE DRAWING NO RESTRICTED TO	
				CUSTOMER DRAWING		A100779C=2085124		SCALE 3:1 SHEET 1 OF 3 REV A1	

LOC	DIST	REVISIONS					
GP	00	P	LTR	DESCRIPTION	DATE	DWN	APVD
		-	-	SEE SHEET 1	-	-	-

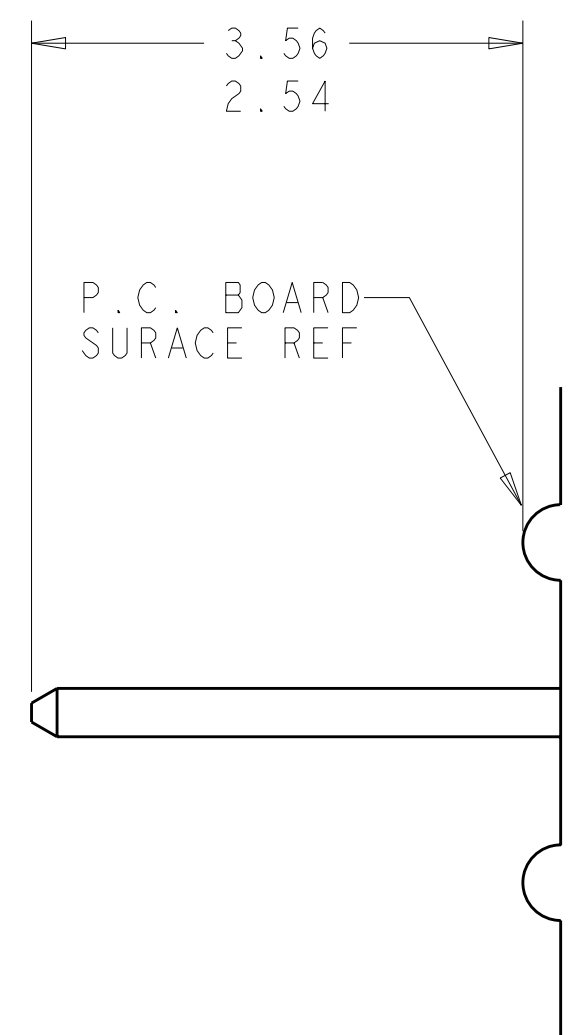


PRINTED CIRCUIT LAYOUT  
 COMPONENT SIDE

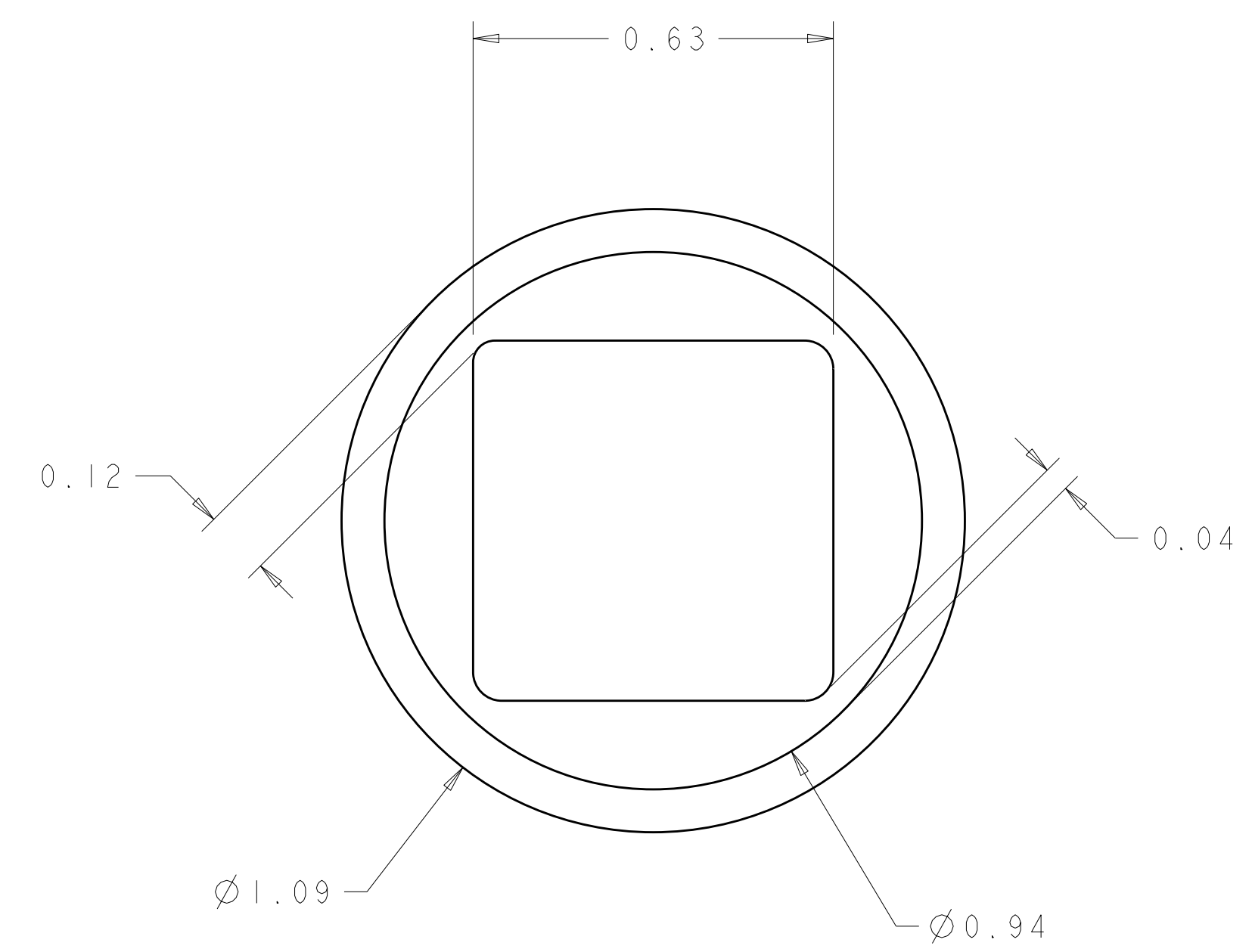
CONNECTOR	CATALOG MODULE #	QTY	SIZE NO.	CONTACT QTY	MATING PIN	MAX. CURRENT (PER CONTACT)	CONTACT SPACING	VOLTAGE RATING
SOCKET	FP318	3	22	72	.64 SQ.	3 amps	2.50	125 VOLTS
	FP161	4	8	4	1.25 X 7.00.	35 amps	7.50	250 VOLTS
	FP503	1	STRAIGHT GUIDE PIN					
	FP500	1	MOUNTING FLANGE, LEFT					
	FP501	1	MOUNTING FLANGE, RIGHT					

<small>THE DIMENSIONS OF THIS DRAWING ARE SUBJECT TO THE DIMENSIONAL TOLERANCES SPECIFIED IN THE TYCO ELECTRONICS CORPORATION DIMENSIONAL TOLERANCE SPECIFICATION (DTS) WHICH IS SUBJECT TO CHANGE WITHOUT NOTICE AND WITHOUT OBLIGATION TO THE CUSTOMER.</small>		DWN C. ROHER 29JAN2009 CHK P. DAMATO 29JAN2009 APVD P. DAMATO 29JAN2009	Tyco Electronics Harrisburg, PA 17105-3608
DIMENSIONS: mm 	TOLERANCES UNLESS OTHERWISE SPECIFIED: 9 PLC ±.5 1 PLC ±0.5 3 PLC ±0.25 5 PLC ±.5 4 PLC ±.5 ANGLES ±.3 FINISH -	NAME PRODUCT SPEC APPLICATION SPEC WEIGHT CUSTOMER DRAWING	SOCKET CONNECTOR STRAIGHT, SOLDER TAILS FLATPAQ SIZE CAGE CODE DRAWING NO A100779C-2085124 RESTRICTED TO SCALE 3:1 SHEET 2 OF 3 REV A1

LOC	DIST	REVISIONS			
P	LTB	DESCRIPTION	DATE	DWN	APVD
GP	00	SEE SHEET 1	-	-	-



7. SOLDER PIN DETAIL  
SCALE 10 : 1



△ SOLDER TERMINATION AREA  
 SCALE 40:1  
 RECOMMENDED PRINTED CIRCUIT SOLDER HOLE  
 FINISHED HOLE: Ø1.02 ±.08  
 DRILLED HOLE: Ø1.15 ±.013  
 COPPER PLATE: .025 MIN  
 TIN PLATE: .008 MIN. (PER SURFACE)

<small>THIS DRAWING IS UNPUBLISHED. RELEASED FOR PUBLICATION 20                  © COPYRIGHT 20 BY TYCO ELECTRONICS CORPORATION, ALL RIGHTS RESERVED.</small>		DWN C. ROHER 29JAN2009 CHK P. DAMATO 29JAN2009 APVD P. DAMATO 29JAN2009	Tyco Electronics Harrisburg, PA 17105-3608
DIMENSIONS: mm 		TOLERANCES UNLESS OTHERWISE SPECIFIED: 0 PLC ±. 1 PLC ±0.5 2 PLC ±0.25 3 PLC ±. 4 PLC ±. ANGLES ±.3 FINISH	NAME SOCKET CONNECTOR STRAIGHT, SOLDER TAILS FLATPAQ SIZE CAGE CODE DRAWING NO A100779C-2085124 RESTRICTED TO
MATERIAL - -		WEIGHT - - CUSTOMER DRAWING	SCALE 3:1 SHEET 3 OF 3 REV A1