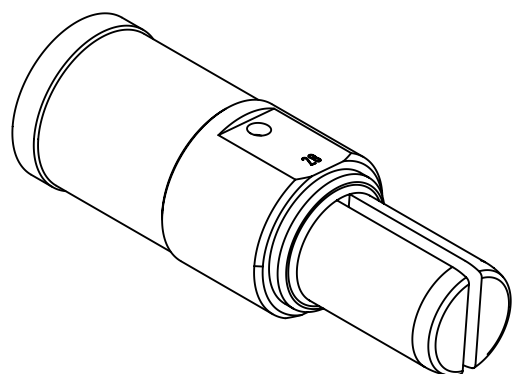
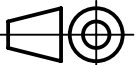



assembly notes see catalog
 crimp zone acc. to DIN EN 46235; indicator 28
 for stranded fine wire acc. to VDE 0295 class 5/ IEC 60228 class 5
 wire gauge: 240mm²
 stripping length: 46mm



| | | | | | |
|--|--|---|---------------------------|-----------------------------|--|
|  All Dimensions in mm Original Size DIN A4 | | Scale 1:1 | Free size tol. | | Ref. |
|  All rights reserved Department EL PD - DE | | Created by SCHULZI | Inspected by SCHNIEDER | Standardisation SCHMIDTM | Date 2015-01-27 |
| HARTING Electric GmbH & Co. KG D-32339 Espelkamp | | Title Han TC650 male contact 240mm ² | | | State Final Release |
| | | Type TB | Number 09 11 000 6167 | | Doc-Key / ECM-Nr. 100172500/UGD/006/F 500000082399 |
| | | | | | Rev. F Page 1/1 |