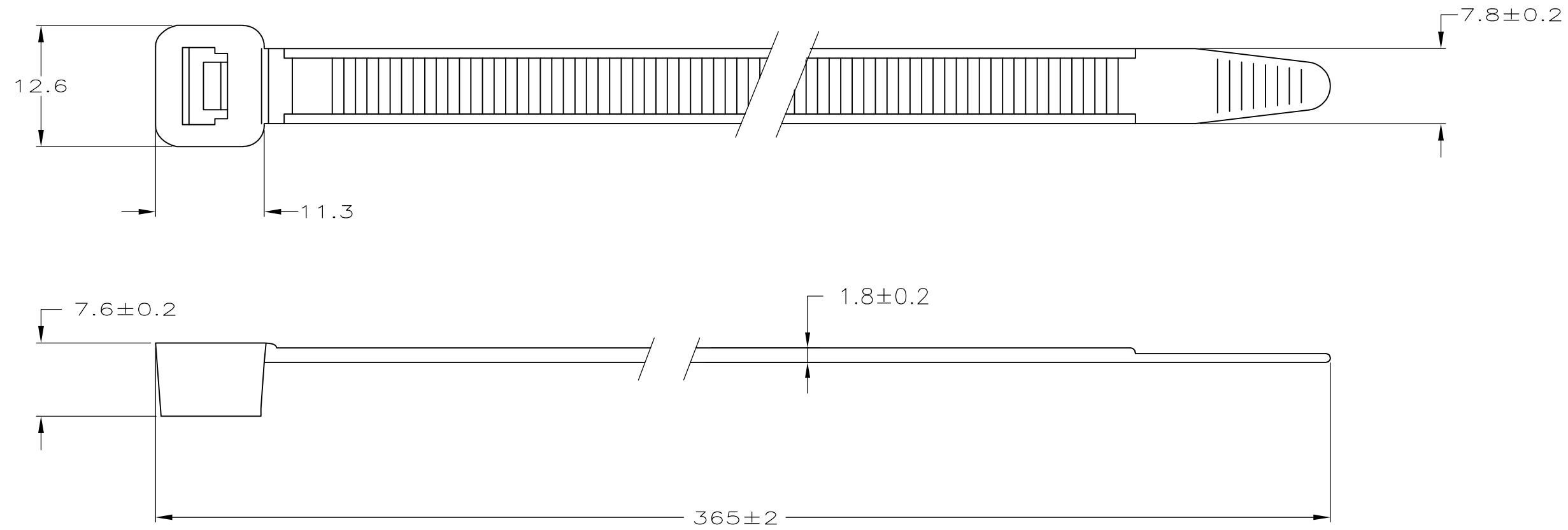


THIS DRAWING IS UNPUBLISHED. RELEASED FOR PUBLICATION
 © COPYRIGHT - By - ALL RIGHTS RESERVED.

| LOC | DIST | REVISIONS | | | | |
|-----|------|-------------|---|-----------|------|----|
| P | LTR | DESCRIPTION | DATE | DWN | APVD | |
| H | - | C | VENDOR CHANGE; DIMENSION CHANGE ROLL BACK | 21DEC2012 | SP | RP |

NOTES:

- 1 RANGE: Ø100 MAX.
- 2 MIN. TENSILE STRENGTH 550N.



| | | | |
|-----|---------|---------------|-------------|
| 100 | BLACK | POLYAMIDE 6.6 | 2-160983-2 |
| 100 | NATURAL | POLYAMIDE 6.6 | 2-160983-1 |
| QTY | FINISH | MATERIAL | PART NUMBER |

| | | | | |
|--|--|--------------------------------|----------------------------|-------|
| THIS DRAWING IS A CONTROLLED DOCUMENT. | | DWN J.V.D.HEIJDEN. 27-02-92 | STE TE Connectivity | |
| DIMENSIONS: mm | | CHK R.VOS. | | |
| TOLERANCES UNLESS OTHERWISE SPECIFIED: | | APVD L.V.SOEST. | NAME CABLE TY. | |
| 0 PLC ± - | | PRODUCT SPEC | SIZE | |
| 1 PLC ± 0.4 | | APPLICATION SPEC | CAGE CODE | |
| 2 PLC ± - | | WEIGHT | DRAWING NO | |
| 3 PLC ± - | | MATERIAL | RESTRICTED TO | |
| 4 PLC ± - | | | A3 00779 C-160983 | |
| ANGLES ± - | | CUSTOMER DRAWING | | SCALE |
| FINISH | | SHEET | | REV |
| SEE TABLE | | 1 OF 1 | | C |
| SEE TABLE | | NTS | | |