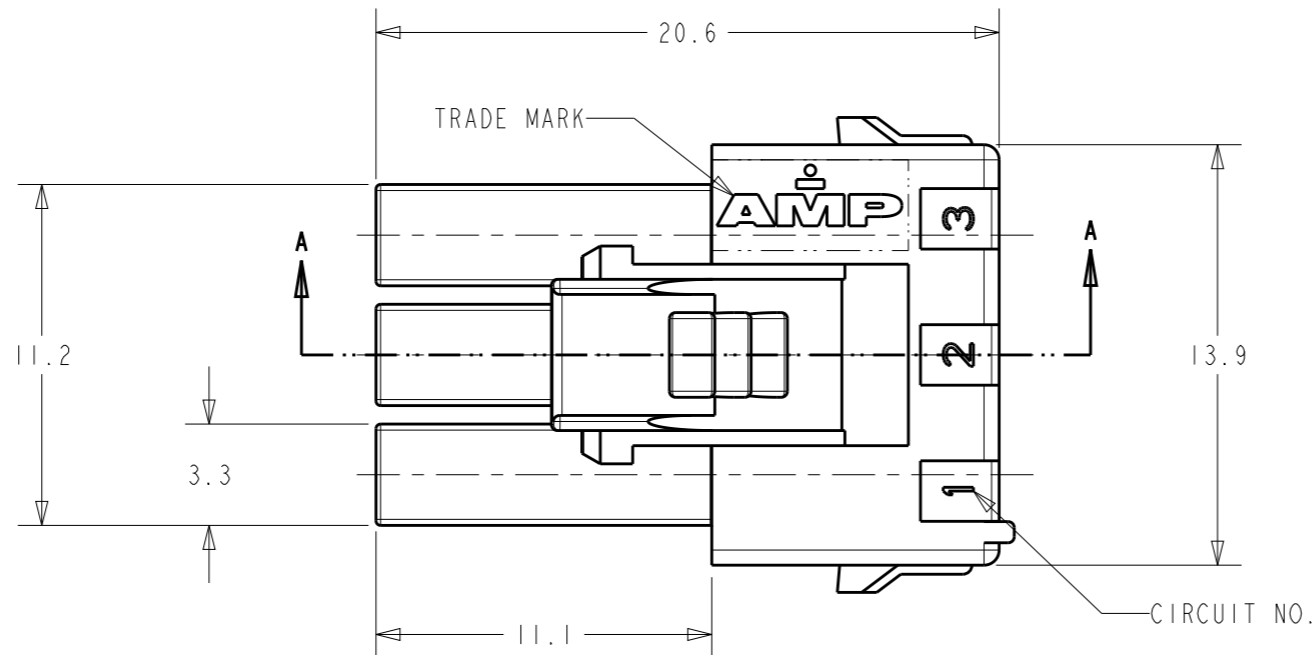
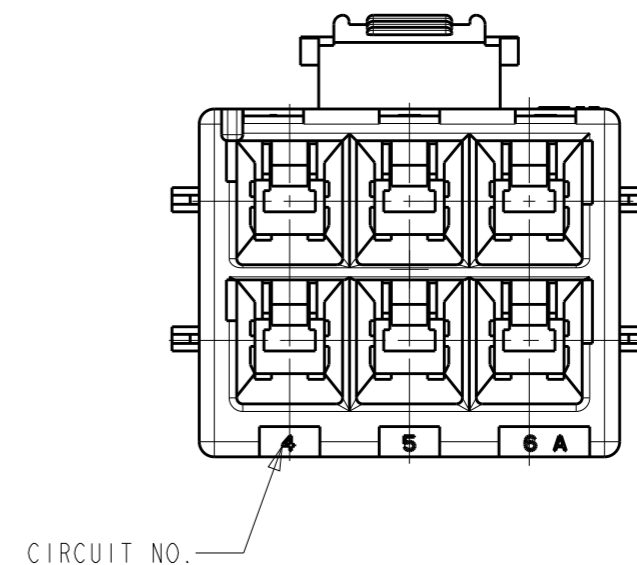
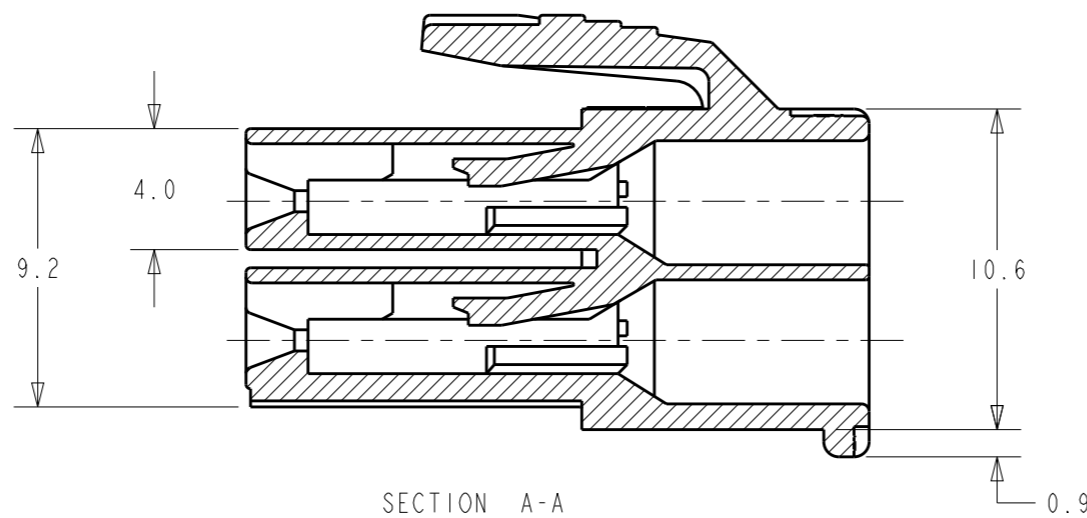
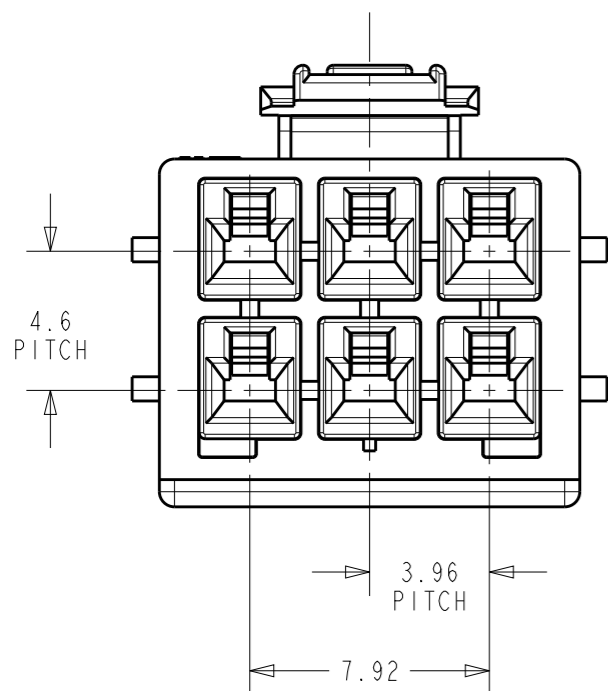


THIS DRAWING IS UNPUBLISHED. RELEASED FOR PUBLICATION 20
 © COPYRIGHT 2018 BY - TE CONNECTIVITY ALL RIGHTS RESERVED.

REVISIONS				
P	LTR	DESCRIPTION	DATE	APVD
D		REVISED PER ECR-19-009721	01JUL2019	M.G D.Z



- 1 THIS HOUSING ACCEPTS RECEPTACLE TERMINAL:
 - REC CONTACT: 177915-□ (AWG #16-#20)
 : 177914-□ (AWG #22-#26)
- 2 MATING CONN. P/N
 - CAP HOUSING: 2005253-□ (FREE HANGING)
 : 368588-□ (PANEL MOUNT)
 - TAB CONTACT: 177917-□ (AWG #16-#20)
 : 177916-□ (AWG #22-#26)
 - PC BOARD MOUNT(ASS'Y): 179841-□
- 3 APPLICABLE DOUBLE LOCK PLATE: 177919-1
 * IT SHOULD BE USED CERTAINLY WHEN CABLE ASS'Y
- 4 GENERAL TOLERANCES: ±0.3
- 5 MATERIAL: PA66, UL94 V-0.
 COMPLY WITH GLOW WIRE REQUIREMENT FOR PARTS OF
 NON-METALLIC MATERIALSUPPORTING A CURRENT-CARRYING
 CONNECTION DETAILED IN IEC 60335-1, SECTION 30(GWT)



COLOR	PART NUMBER
BLUE	368576-6
YELLOW	368576-4
RED	368576-2
NATURAL	368576-1

THIS DRAWING IS A CONTROLLED DOCUMENT.		DWN SC KIM		TE Connectivity	
DIMENSIONS: mm		CHK BW KANG			
		TOLERANCES UNLESS OTHERWISE SPECIFIED:		NAME PDL 6P PLUG 3.96mm D/R (GWT)	
		0 PLC ±. 1 PLC ±. 2 PLC ±. 3 PLC ±. 4 PLC ±. ANGLES ±.		PRODUCT SPEC 108-5410	
MATERIAL		FINISH		APPLICATION SPEC 114-5175	
5				WEIGHT	
CUSTOMER DRAWING				SCALE 4:1	
SIZE A3		CAGE CODE 00779		DRAWING NO. C-368576	
RESTRICTED TO		SHEET 1 OF 1		REV D	