

### 5 Nm RC65 10 and 17 Watts 17 W Part number made to order



- Torque rating of gearboxes : 5 Nm, metal gears
- Motors : nominal power 9 W to 15 W
- Speed range : 1.04 to 208 rpm
- Replaceable brushes

#### Part numbers

	Type	Type	Voltage	Output speed (rpm)	Ratios (i)
80807020	17 W	808070	24 V	62	125/3

#### Specifications

##### General characteristics

Motor	828000
Gearbox	810370
Maximum permitted torque from gearmotor under continuous conditions for 1 million turns (Nm)	5
Axial load dynamic (daN)	2
Radial load dynamic (daN)	3
Max. output power (W)	17
Nominal output (W)	15,6
Gearbox case temperature rise (°C)	40
Weight (g)	800

#### Made to order products, available on request

##### Motors :

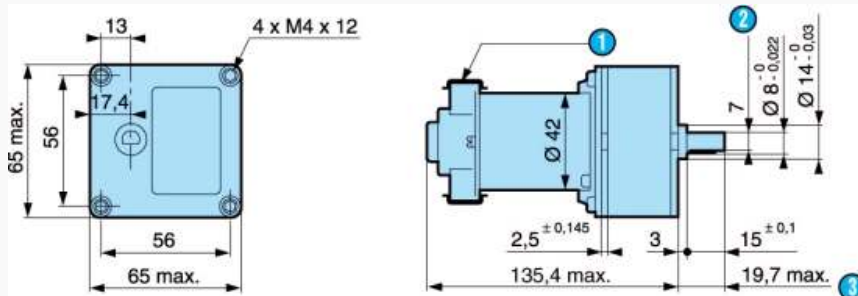
- Other supply voltages
- Motor with 1 ball bearing at front (essential for vertical motor)
- Shaft lengths at front and/or rear
- Special interference suppression
- 5 pulses/revolution magnetic encoder
- Other fixing flanges on front

##### Gearboxes :

- Drawn cup needle bearing for 81 032 6
- Special cover for 81 032 6
- Special greasing
- Special shaft
- Other reduction ratios

#### Dimensions (mm)

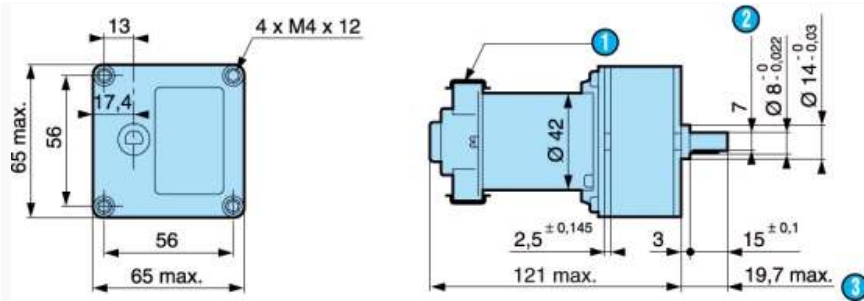
##### 808070 encoder



N°	Legend
①	2 tags IEC 760, series 4.8 x 0.5
②	7 across flats
③	Shaft pushed-in

#### Dimensions (mm)

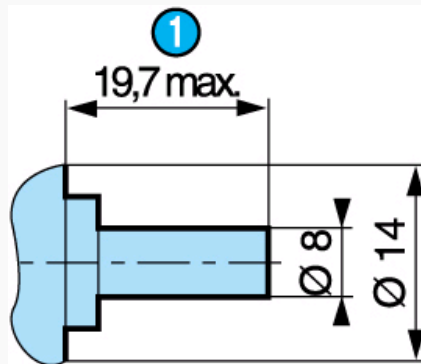
##### 808070 standard



N°	Legend
①	2 tags IEC 760, series 4.8 x 0.5
②	7 across flats
③	Shaft pushed-in

### Dimensions (mm)

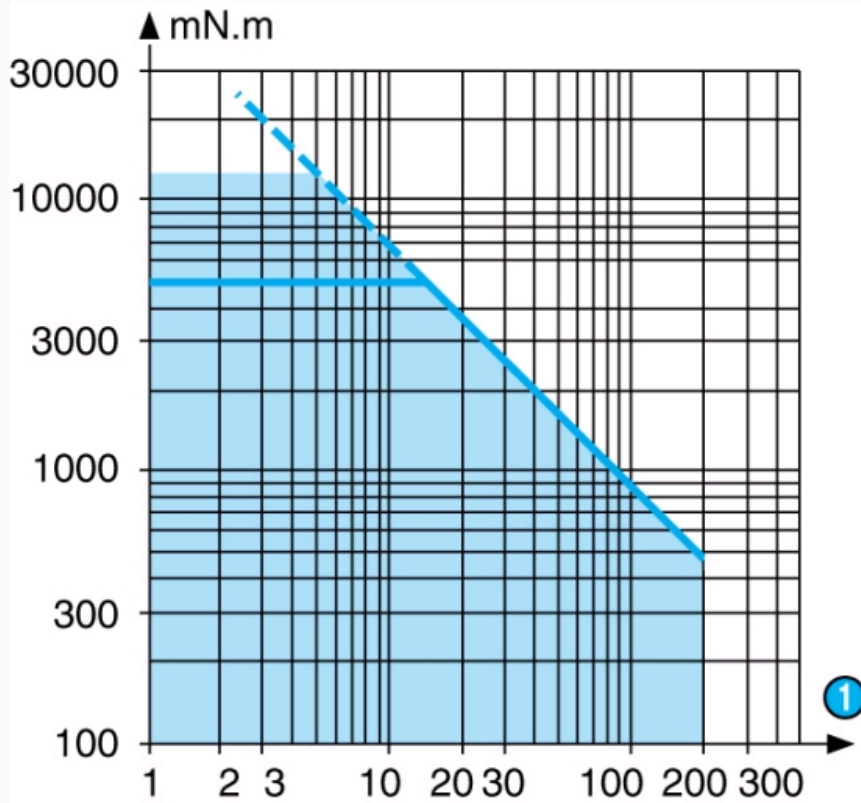
Gearbox shaft 79206478



N°	Legend
①	Shaft pushed-in

### Curves

Curve : torque/nominal speed 808070



N°	Legend
1	rpm

#### Product adaptations



- Special supply voltage
- Optical or Hall effect encoder
- Special connections
- Special shaft
- Special reduction ratio (40 ratios available from 4 to 3750)
- Special materials for gears
- Special ball bearings
- Special adaptor plate
- With 828105 or 828005 motor
- With 82830 - 30 W motor