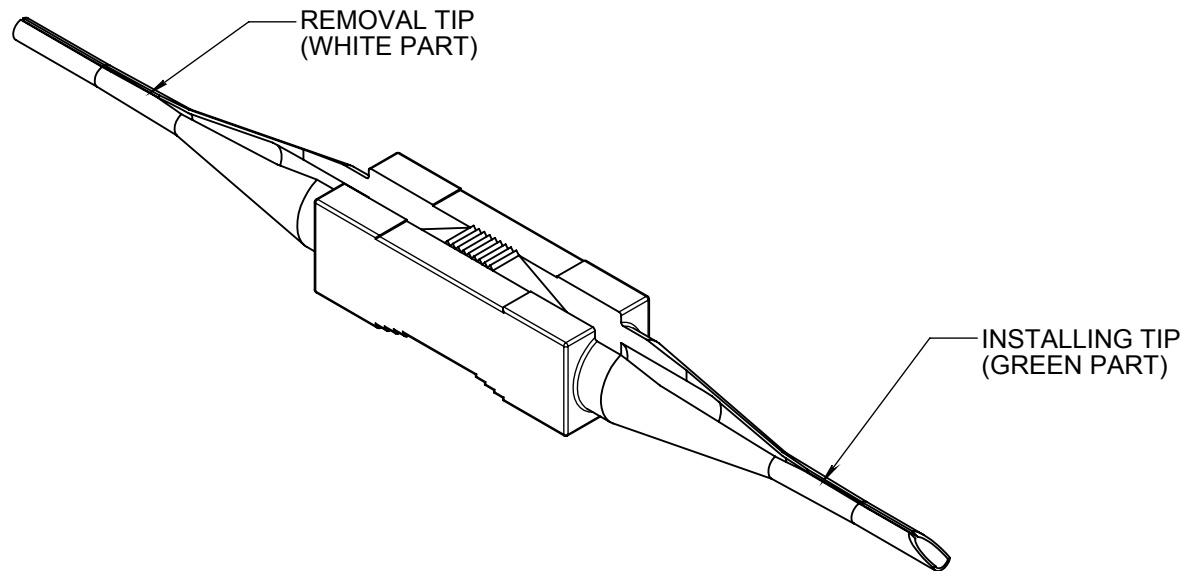
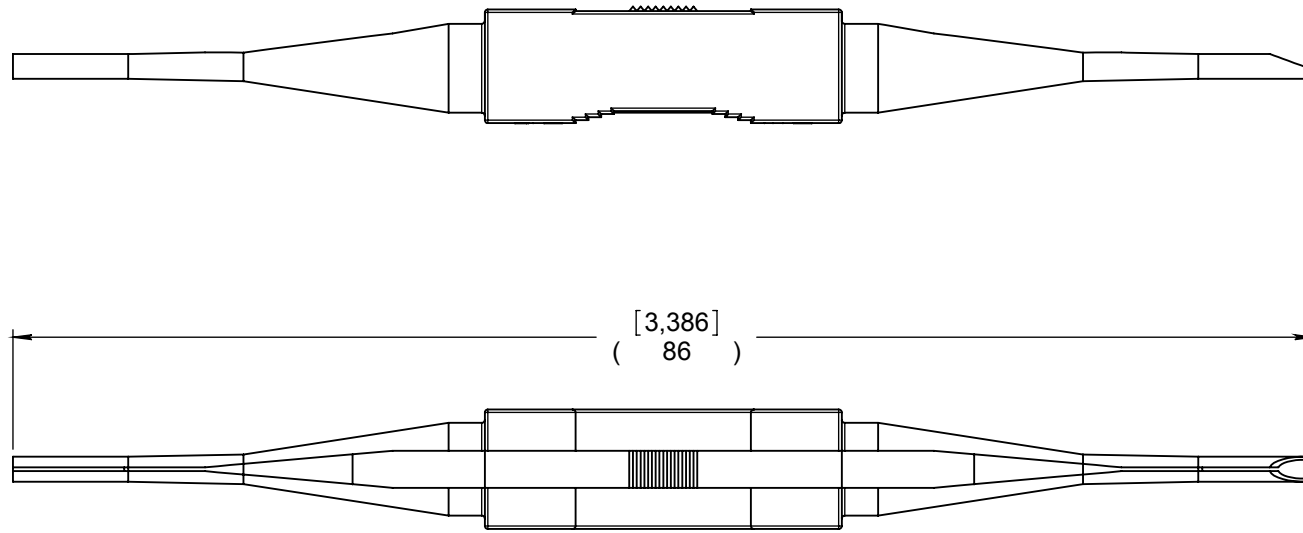


Series  
EPXB

INSERTION / EXTRACTION TOOL FOR  
SIZE 22 CONTACTS PER SPEC MIL-I-81969 / 14-01

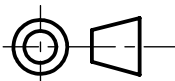
Issue:  
Jan 31, 2008

Page  
1/1



MATERIAL : THERMOPLASTIC

DIMENSIONS : mm (inch are given for information only)



Confidential information not to be disclosed to third parties without Radial approval. This information is given as an indication. In the continual goal to improve our products, we reserve the right to make any modifications judged necessary.

4112\_9311

<b>CREATION</b>				
<b>PEN:</b>				
<b>NOM:</b> PAILOT N.				
<b>DATE:</b> Jan 31, 2008				
<b>APPR.:</b> PESSARD M.	/	/	/	/
	Issue	Revisions	Name	Approved