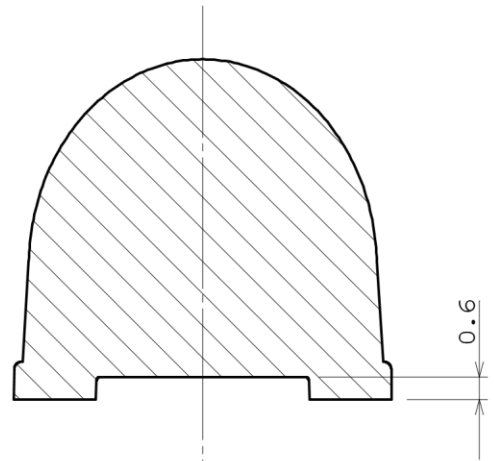
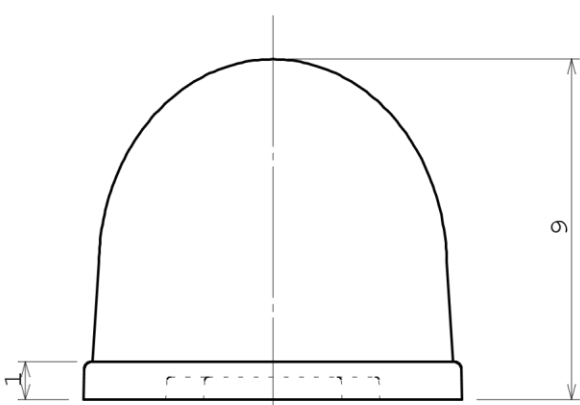
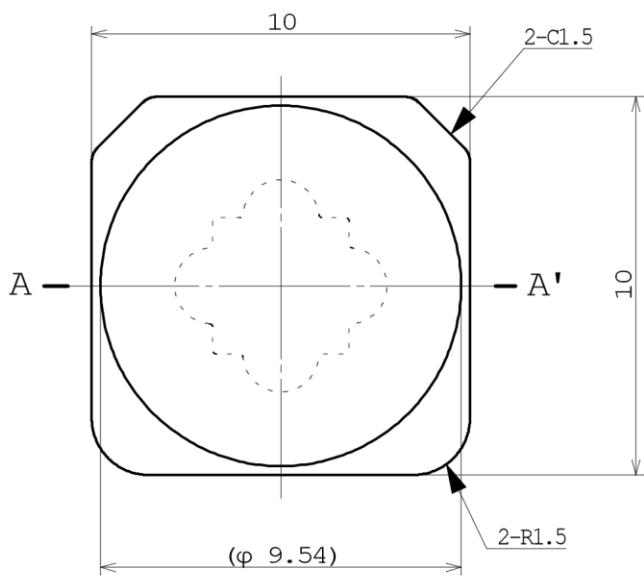
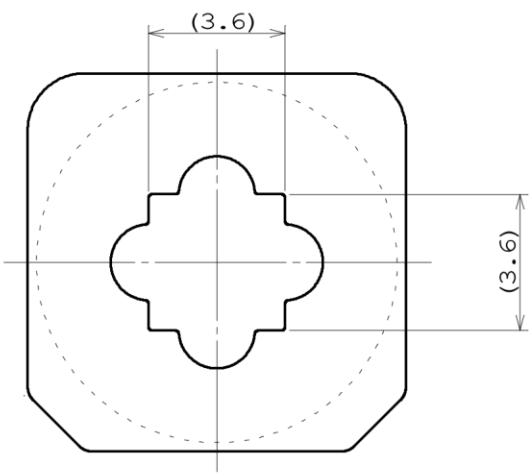


O	SPECIFICATIONS ＜仕様図＞	SURFACE TREATMENT ＜表面処理＞	SYM	DATE	REVISION	REVR	APPR
	REFERENCE ＜参考図＞	HEAT TREATMENT ＜熱処理＞	△ <sup>x</sup>				
		FINISH ＜仕上げ＞	△ <sup>2</sup> △ <sup>3</sup>				



A-A'断面  
A-A' Section



NOTE)

・一般寸法公差：下記C公差を適用

General dimensional tolerance: Range C

A  
B  
C  
D  
E  
F

Drawing Paper for Rubber Parts

TOLERANCE UNLESS SPECIFIED			
RANGE	A	B	C
LESS THAN 6	±0.2	±0.1	±0.1
OVER 6 TO 20	±0.3	±0.2	±0.1
OVER 20 TO 50	±0.5	±0.3	±0.2
OVER 50 TO 100	±1.0	±0.5	±0.3
OVER 100 TO 300	±2.0	±1.0	±0.5
OVER 300 TO 500	±5.0	±2.5	±1.0
ANGLE	±2°		

ORIGINAL DATE 2021/07/07	MATERIAL (COMPOUND) Silicone rubber	TITLE DK-22M-233
SCALE 5:1	COLOR Clear	DRAWING NO. 21070704E
UNIT mm	HARDNESS A80	DESIGN T.Motoyanagi
SIZE A4	3RD ANGLE SYSTEM	DRAWN T.Motoyanagi
		CHECKED S.Endo
株式会社朝日ラバー		APPROVED E.Ishiguro

DESIGN	DRAWN	CHECKED	APPROVED
T.Motoyanagi	T.Motoyanagi	S.Endo	E.Ishiguro

# ◆ASA COLOR LENS

Part number : DK-12M-233 / DK-22M-233

## Initial Properties

### 1. Physical Properties

Items	Materials : ASR-A80MC
Color	Transparent
Hardness JIS Type A	A80/S±5
Total light transmittance(t=2mm)	90% and more
Refractive index (25°C) (D-line 589 nm)	1.41±0.03

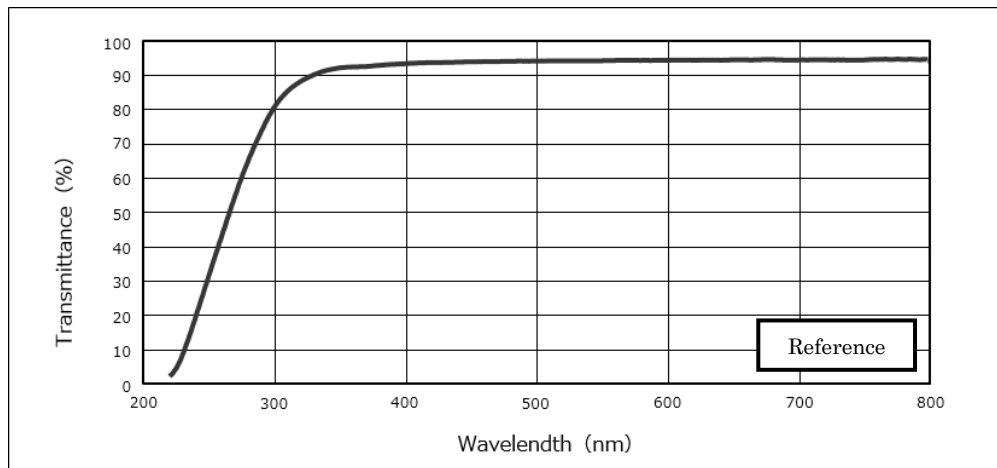


Figure1. Total light transmittance of ASR-A80MC (t=2mm)

### 2. Light Distribution Data

