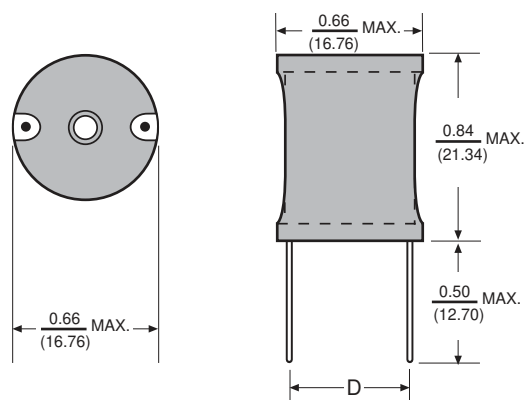


# RDC10 Radial Drum Core Inductors



Dimensions:  $\frac{\text{Inches}}{\text{(mm)}}$

## Features

- Radial Leads for direct Printed Circuit Board mounting.
- Pre-tinned leads.
- Inductance range from 1.0 $\mu$ h to 1000 $\mu$ h. Also available in non-standard inductance values.
- Current rating range from 2.9 to 87 amps DC.
- Ideal for use in switching power supplies, filter networks and power amplifiers.

## Electrical

**Inductance:**  $\pm 10\%$  measured at 1KHz.

### Standard Operating Temp:

-55°C to +125°C

**Saturation Current:** Lowers inductance by 10%.

**Temperature Rise:**  $\Delta T = 50^\circ\text{C}$  rise typical at IDC.

## Mechanical

Leads are tinned to within 1/16 in. of body.

Coils are finished with UL-VW-1 rated sleeving.

## Physical

**Packaging:** 25 pieces per bag.

Allied Part Number	Inductance ( $\mu$ )	Tolerance	DCR Max. $\Omega$	Saturation Current (A) DC	Rated Current (A)	Lead O.D. inch	Dimension (D) inch
RDC10-1R0T-RC	1.0	30	.003	87.0	9.0	0.054	.550
RDC10-1R2M-RC	1.2	20	.003	68.0	9.0	0.054	.550
RDC10-1R5M-RC	1.5	20	.004	56.0	9.0	0.054	.550
RDC10-1R8M-RC	1.8	20	.004	56.0	9.0	0.054	.550
RDC10-2R2M-RC	2.2	20	.005	47.0	9.0	0.054	.550
RDC10-2R7M-RC	2.7	20	.005	47.0	9.0	0.054	.550
RDC10-3R3M-RC	3.3	20	.005	40.0	9.0	0.054	.550
RDC10-3R9M-RC	3.9	20	.006	36.0	9.0	0.054	.550
RDC10-4R7M-RC	4.7	20	.007	32.0	9.0	0.054	.550
RDC10-5R6M-RC	5.6	20	.007	29.0	9.0	0.054	.550
RDC10-6R8M-RC	6.8	20	.008	26.0	9.0	0.054	.550
RDC10-8R2M-RC	8.2	20	.009	24.5	9.0	0.054	.550
RDC10-100M-RC	10	20	.010	21.2	9.0	0.054	.550
RDC10-120K-RC	12	10	.011	19.0	9.0	0.054	.550
RDC10-150K-RC	15	10	.015	17.5	7.2	0.048	.550
RDC10-180K-RC	18	10	.065	16.5	7.2	0.048	.550
RDC10-220K-RC	22	10	.025	15.8	5.5	0.043	.550
RDC10-270K-RC	27	10	.030	14.4	4.5	0.039	.550
RDC10-330K-RC	33	10	.040	13.2	4.0	0.035	.406
RDC10-390K-RC	39	10	.046	11.8	4.0	0.035	.469
RDC10-470K-RC	47	10	.062	11.0	2.8	0.031	.469
RDC10-560K-RC	56	10	.069	10.0	2.8	0.031	.485
RDC10-680K-RC	68	10	.077	8.9	2.8	0.031	.500
RDC10-820K-RC	82	10	.083	8.2	2.8	0.031	.500
RDC10-101K-RC	100	10	.095	7.5	2.8	0.031	.500
RDC10-121K-RC	120	10	.127	5.8	2.0	0.028	.480
RDC10-151K-RC	150	10	.181	5.6	1.6	0.025	.480
RDC10-181K-RC	180	10	.217	5.1	1.6	0.025	.480
RDC10-221K-RC	220	10	.240	4.3	1.6	0.025	.480
RDC10-271K-RC	270	10	.300	4.1	1.6	0.022	.480
RDC10-331K-RC	330	10	.336	3.8	1.3	0.022	.480
RDC10-391K-RC	390	10	.460	3.8	1.0	0.022	.480
RDC10-471K-RC	470	10	.636	3.2	0.8	0.020	.450
RDC10-561K-RC	560	10	.696	2.9	0.8	0.018	.450
RDC10-102K-RC	1000	10	.700	3.0	2.0	0.018	.500

All specifications subject to change without notice.