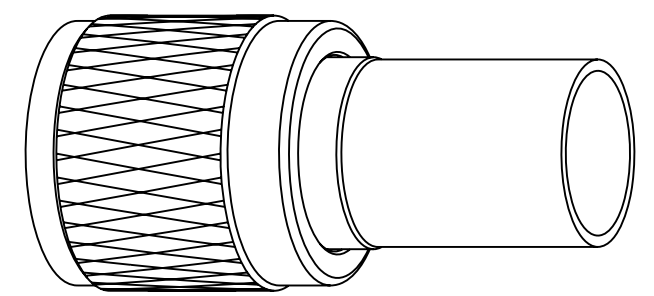
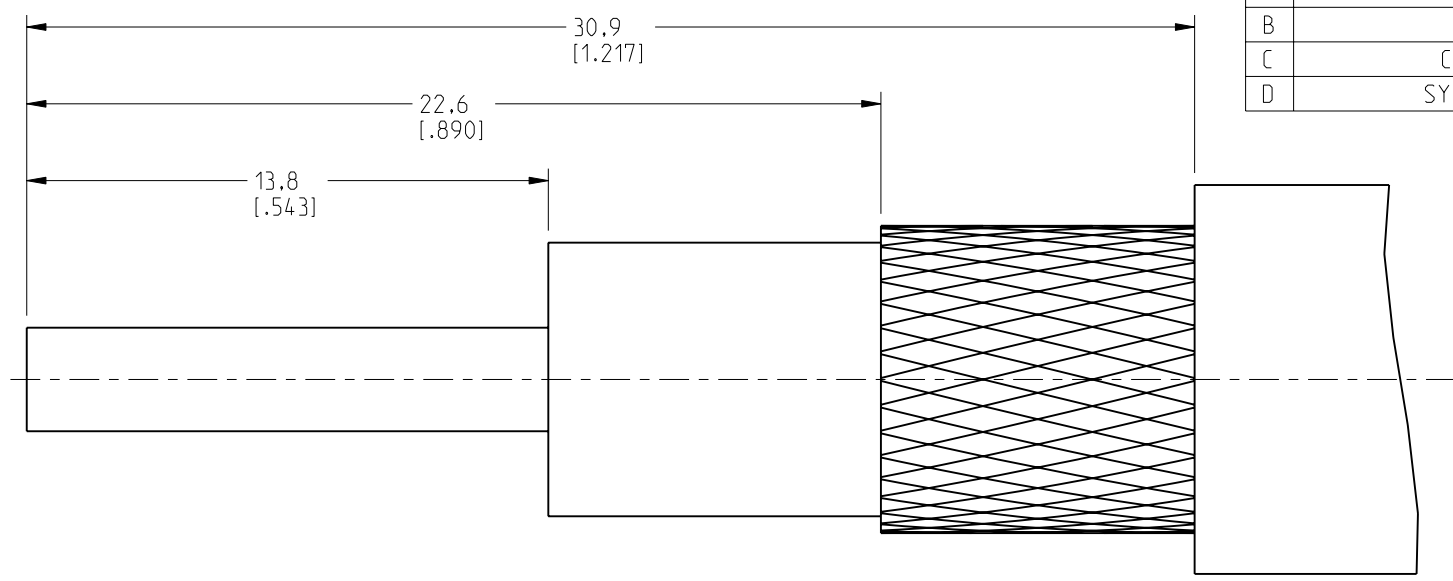


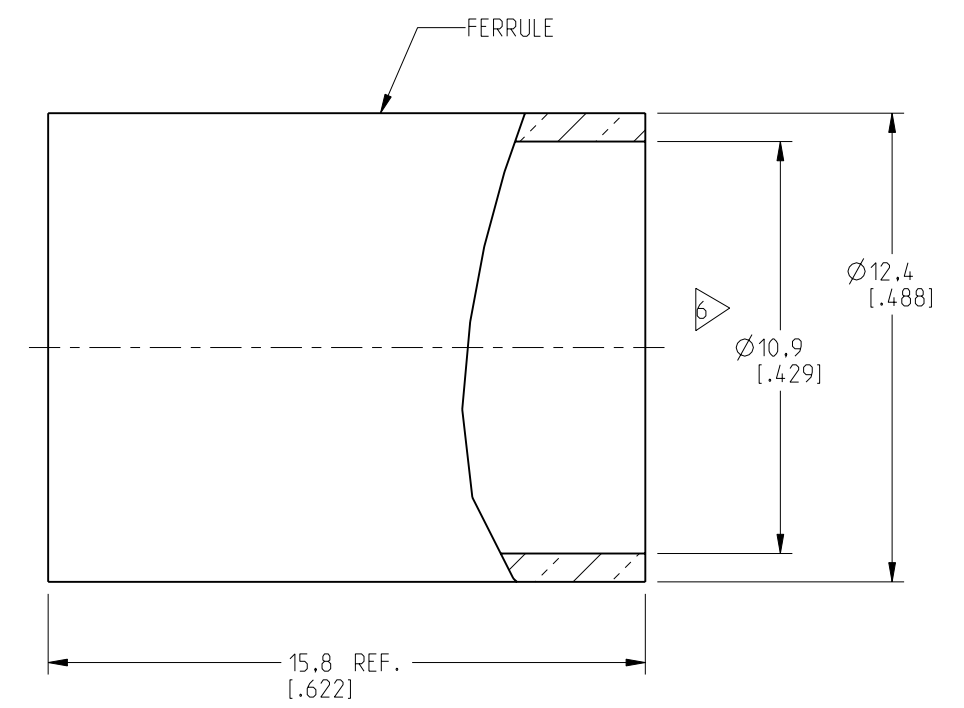
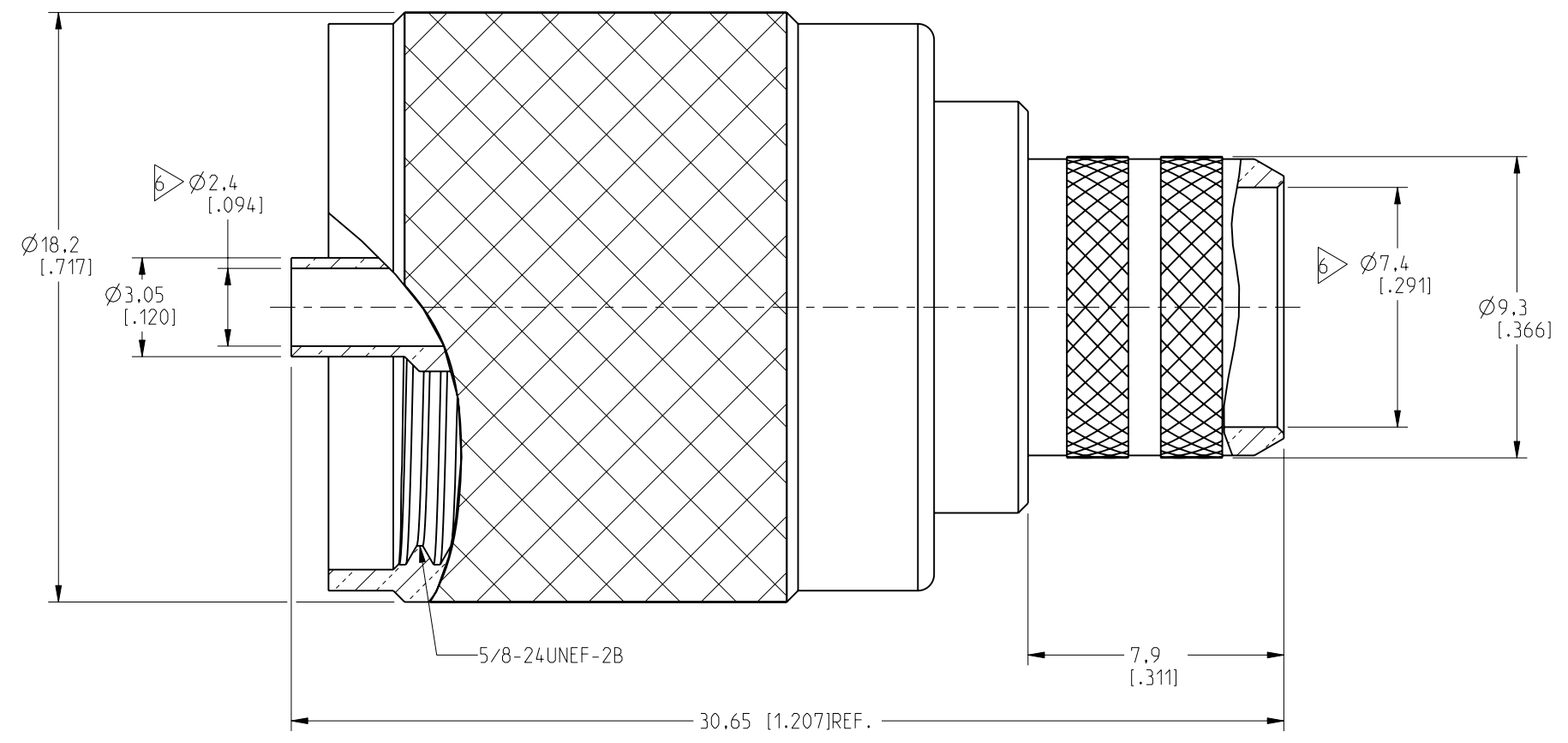
NOTES:

1. MATERIALS AND FINISHES:
 FERRULE - BRASS, NICKEL PLATING
 BODY & SHELL - BRASS, NICKEL PLATING
 CONTACT - BRASS, SILVER PLATING
 INSULATOR - PLENCO 01581, BLACK
2. ELECTRICAL:
 A. IMPEDANCE: 50 OHM
 B. FREQUENCY RANGE: 0- 300 MHz
 C. DIELECTRIC WITHSTANDING VOLTAGE: 1000 VRMS MIN .
3. MECHANICAL:
 A. DURABILITY: 500 CYCLES MIN.
 B. TEMPERATURE RANGE: -65°C TO +165°C
4. CRIMPED FERRULE HEX CRIMP SIZE .429"
5. CRIMPED CONTACT PIN HEX CRIMP SIZE .105"
6. SHOWS CABLE ENTRY DIMENSIONS.

REVISIONS				
REV	DESCRIPTION	DATE	ECN	BY
NC	INITIAL RELEASE	--	----	--
A	UPDATE DRAWING FORMAT	01/30/04	----	GRS
B	ADD CABLE DESCRIPTION	05/12/07	----	
C	CHANGE ALL COMPONENTS' FINISH	10/17/11	2241	MZ
D	SYNC. THE INSULATOR WAS CHANGED	31-Aug-22	16389	SH



RECOMMENDED
CABLE STRIPPING DIM'S



CUSTOMER OUTLINE DRAWING
ALL OTHER SHEETS ARE FOR INTERNAL USE ONLY

NOTICE: These drawings, specifications, or other data (1) are, and remain the property of Amphenol corp. (2) must be returned upon request; and (3) are confidential and not to be disclosed to any person other than those to whom they are given by Amphenol Corp. The furnishing of these drawings, specifications, or other data by Amphenol Corp., or to any other person to anyone for any purpose is not to be regarded by implication or otherwise in any manner licensing, granting rights to permitting such holder or any other person to manufacture, use or sell any product, process or design, patented or otherwise, that may in any way be related to or disclosed by said drawings, specifications, or other data.		UNLESS OTHERWISE SPECIFIED DIMENSIONS ARE METRIC (INCHES) AND TOLERANCES ARE: <0.5mm = ±0.05mm [± 0.002] 0.5 - 6mm = ±0.1mm [$\pm 0.020 - 0.236 = \pm 0.004$] >6.00 - 30mm = ±0.2mm [$\pm 0.236 - 1.181 = \pm 0.008$] >30.00 - 120mm = ±0.3mm [$\pm 1.181 - 4.725 = \pm 0.012$] ANGLES = ±1°		MATERIAL SEE NOTES		TITLE UHF CRIMP PLUG (FOR RG-8/U, 213/U CABLE)		Amphenol RF	
THIRD ANGLE PROJ.		REFERENCE		ENGR.1 TOM		ENGR.2 M.ZHANG		DATE 11-Aug-22	
EAR#		SHEET NO. 2 OF 2		SCALE: 5.0:1.0		DRAWING NO. U1121A1-NPHS-8U-50		REV D	
B		ITEM NO. 061121AAA81NT5F		PART NO. 182102		SIZE		U1121A1-NPHS-8U-50	