

# MOS-1120Y-0201E MOS-1121Y-0201E MOS-1120Y-1401E MOS-1121Y-1401E

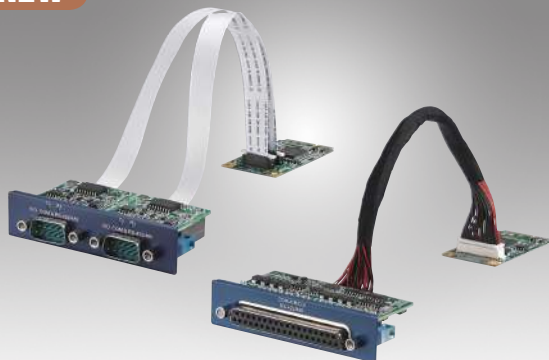
Isolated RS-232, 2-Ports, DB9, PCIe I/F

Isolated RS-422/485, 2-Ports, DB9, PCIe I/F

Non-Isolated RS-232, 4-Ports, DB9, PCIe I/F

Non-Isolated RS-422/485, 4-Ports, DB9, PCIe I/F

**NEW**



## Features

- Meets Advantech Standard iDoor Technology
- PCI Express® Mini Card Specification Revision 1.2 compliant
- Speeds up to 921.6 kbps for extremely fast data transmission
- Supports any baud rate setting (50bps-921.6kbps)
- Supports both Isolated & Non-Isolated Protection with 2/4 Ports RS-232/422/485
- I/O address automatically assigned by PCIe plug & play
- Operating systems supported: Windows XP/Vista/7, and Linux 2.4/2.6
- OXPCle952/OXPCle954 UART with 128-byte FIFOs standard
- Supports ARK-2121L and ARK-6322

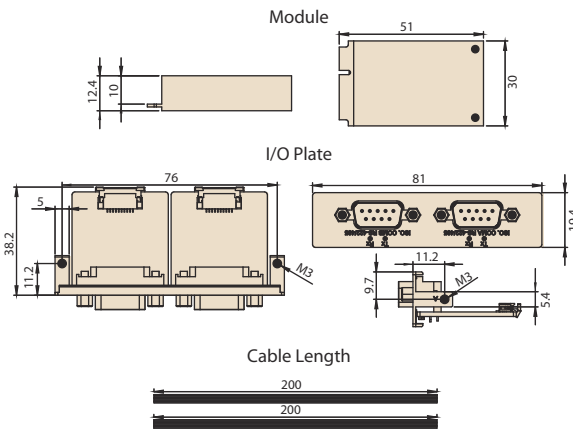
## Specifications

General	Bus Type	PCI Express Mini Card Revision 1.2
	Certification	CE, FCC class A
	Connectors	2 x Male DB9 for MOS-1120Y-XXXXE 1 x Female DB37 for MOS-1121Y-XXXXE
	Dimensions	Module: 51 x 30 x 12.4 mm (2" x 1.18" x 0.49") I/O Plate: 81 x 19.4 x 41 mm (3.19" x 0.76" x 1.61")
	Power Consumption	400 mA @ +3.3 V for MOS-1120Y-XXXXE 500 mA @ +3.3 V for MOS-1121Y-XXXXE
Communications	Comm. Controller	OxPCle952 for MOS-1120Y-XXXXE OxPCle954 for MOS-1121Y-XXXXE
	Data Bits	5, 6, 7, 8
	Data Signals	RS-232: TX, RX, RTS, CTS, DTR, DSR, DCD, DI, GND RS-422: TX+, TX-, RX+, RX-, (MOS-1121Y-1401E) TX+, TX-, RX+, RX-, CTS+, CTS-, RTS+, RTS- (MOS-1121Y-0201E) RS-485: Data+, Data-
	FIFO	128 bytes
	Flow Control	RTS/CTS (MOS-1121Y-1401E not supported), Xon/Xoff
	Parity	None, Odd, Even, Mark and Space
	Speed	50 bps ~ 921.6 kbps ( MOS-1121Y-0201E & MOS-1121Y-1401E only) and any other baud rate setting 230.4 kbps
Protection	Stop Bits	1, 1.5, 2
	Isolation Protection	2,000 V <sub>DC</sub> for MOS-1120Y-XXXXE only
	ESD Protection	15 KV
	EFT Protection	2,500 V
Software	Surge Protection	1,000 V <sub>DC</sub>
	Bundled Software	ICOM Tools & Drivers
Environment	OS Support	Microsoft® Windows® XP/Vista/7 and Linux
	Humidity (Operating)	5-95% RH, non-condensing
	Operating Temperature	-20 ~ 60° C (-4 ~ 140° F)
	Storage Temperature	-40 ~ 85° C (-40 ~ 185° F)

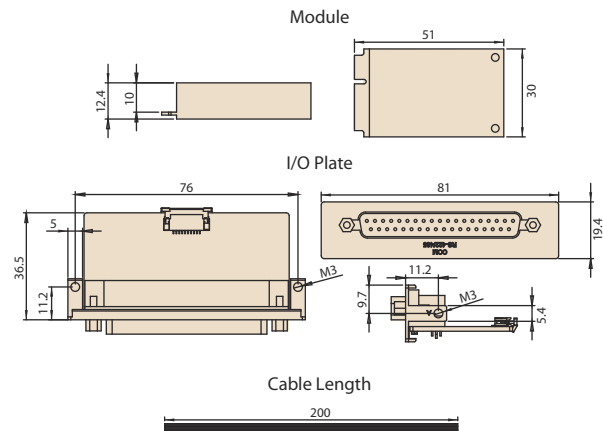
## Dimensions

Unit: mm

### MOS-1120Y-XXXXE/MOS-1121Y-1401E



### MOS-1121Y-XXXXE/MOS-1121Y-1401E



## Ordering Information

Part Number	Description
MOS-1120Y-0201E	Isolated RS-232, 2-Ports, DB9, PCIe I/F
MOS-1121Y-0201E	Isolated RS-422/485, 2-Ports, DB9, PCIe I/F
MOS-1120Y-1401E	Non-Isolated RS-232, 4-Ports, DB9, PCIe I/F
MOS-1121Y-1401E	Non-Isolated RS-422/485, 4-Ports, DB9, PCIe I/F