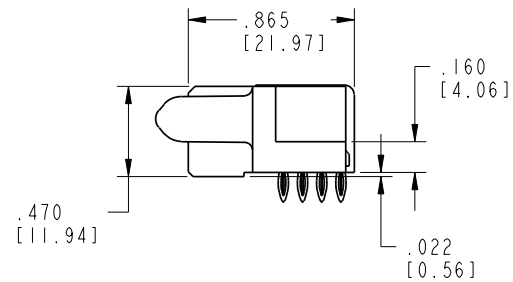
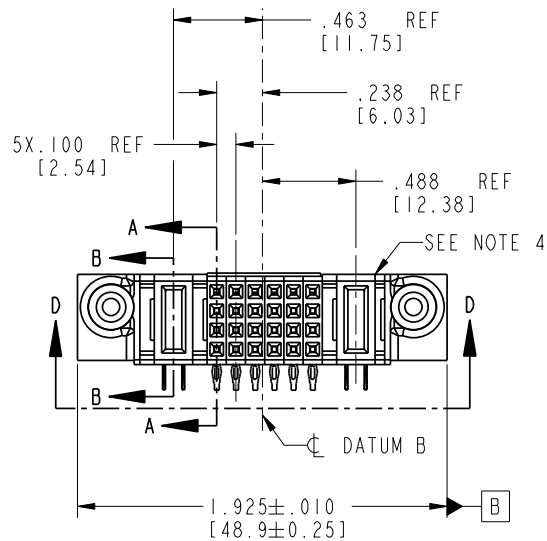
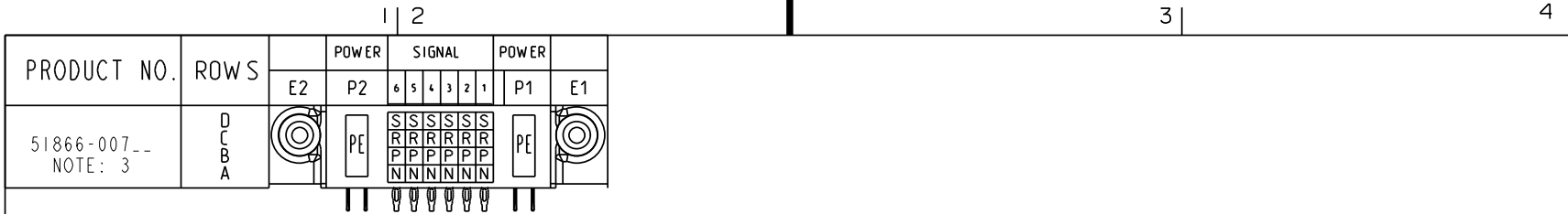


Tous droits strictement réservés. Reproduction ou communication o des liers interdite sous quelque forme que ce soit sans autorisation écrite du propriétaire. Propriété de c FCI. Droits de reproduction FCI.

All rights strictly reserved. Reproduction or issue to third parties in any form whatever is not permitted without written authority from the proprietor. Property of FCI. Copyright FCI.

FCI



CODE	DIM "M" MATING LENGTH	CONTACT TYPE
N	N/A [N/A]	SIGNAL
P	N/A [N/A]	SIGNAL
R	N/A [N/A]	SIGNAL
S	N/A [N/A]	SIGNAL
PE	.042 [1.07]	POWER

mat'l code SEE NOTE 2				tolerances unless otherwise specified		CUSTOMER		FCI www.fciconnect.com	
lir	ecn no.	dr	date	linear	.XX±.01/0.X±0.3		COPY		
A	V12545	JWS	11/29/01		.XXX±.005/0.XX±0.13		projection		
B	DG05-0530	GuoJM	12/09/05	angles	.XXX±.0020/0.XXX±0.051		INCH/MM		
					0°±2°		scale		
				dr	J. SHAFFER	11/29/01	product family PwrBlade		
				enrg	J. ALLISON	11/29/01	size	code	
				chr	J. ALLISON	11/29/01	dwg no	213	
				oppd	J. ALLISON	11/29/01	A	51866-007	
sheet index	revision sheet	B 1	B 2	B 3	B 4			sheet 1 of 4	

1 | 2

Pro/E

PDM: Rev: B

STATUS: **Released**

Printed: Oct 08, 2006

A

A

B

B

code code 22556

4

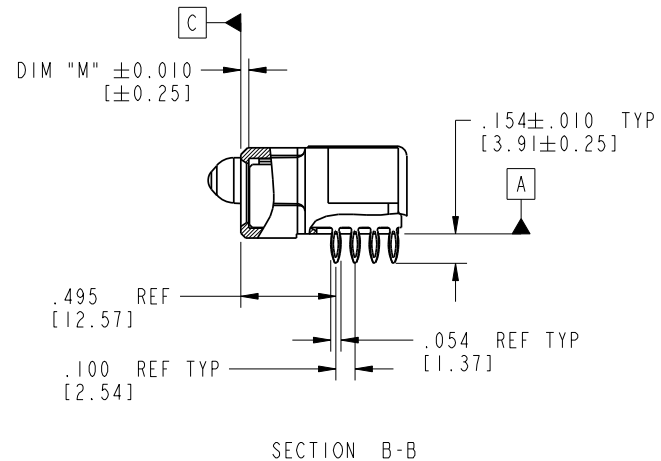
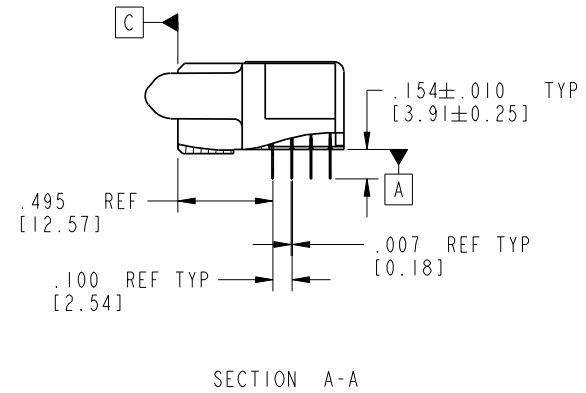
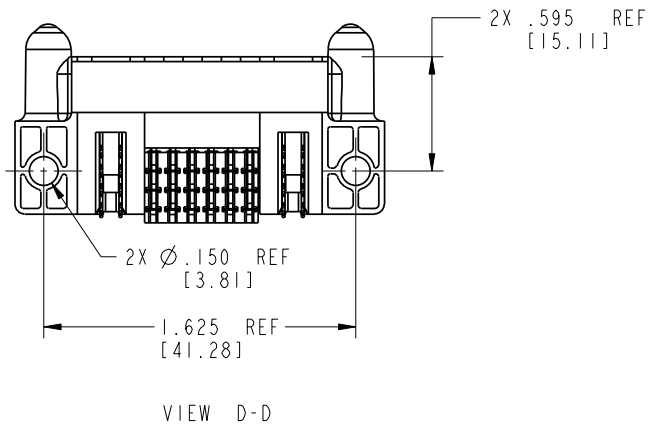
Tous droits strictement réservés. Reproduction ou communication a des tiers interdite sous quelque forme que ce soit sans autorisation écrite du propriétaire. Propriété de c FCI. Droits de reproduction FCI.

All rights strictly reserved. Reproduction or issue to third parties in any form whatever is not permitted without written authority from the proprietor. Property of FCI. Copyright FCI.

FCI

PRODUCT NUMBER

51866-007__
NOTE: 3



mat'l code		SEE NOTE 2		tolerances unless otherwise specified		CUSTOMER		FCI		www.fciconnect.com	
lir	ecn no.	dr	date	linear	.XX±.01/0.X±0.3	projection	COPY		title		
B					.XX±.005/0.XX±0.13	INCH/MM	IP + 24S + IP		R/A PRESS FIT RECEPT.		
				angles	.XXX±.0020/0.XXX±0.051	scale	product family		code		
				dr	0°±2°	1:1	PwrBlade		213		
				engr	J. SHAFFER 11/29/01		size		sheet		
				chr	J. ALLISON 11/29/01		A		2 of 4		
				appd	J. ALLISON 11/29/01		51866-007				
sheet index	revision sheet										

Pro/E

PDM: Rev: B

STATUS: **Released**

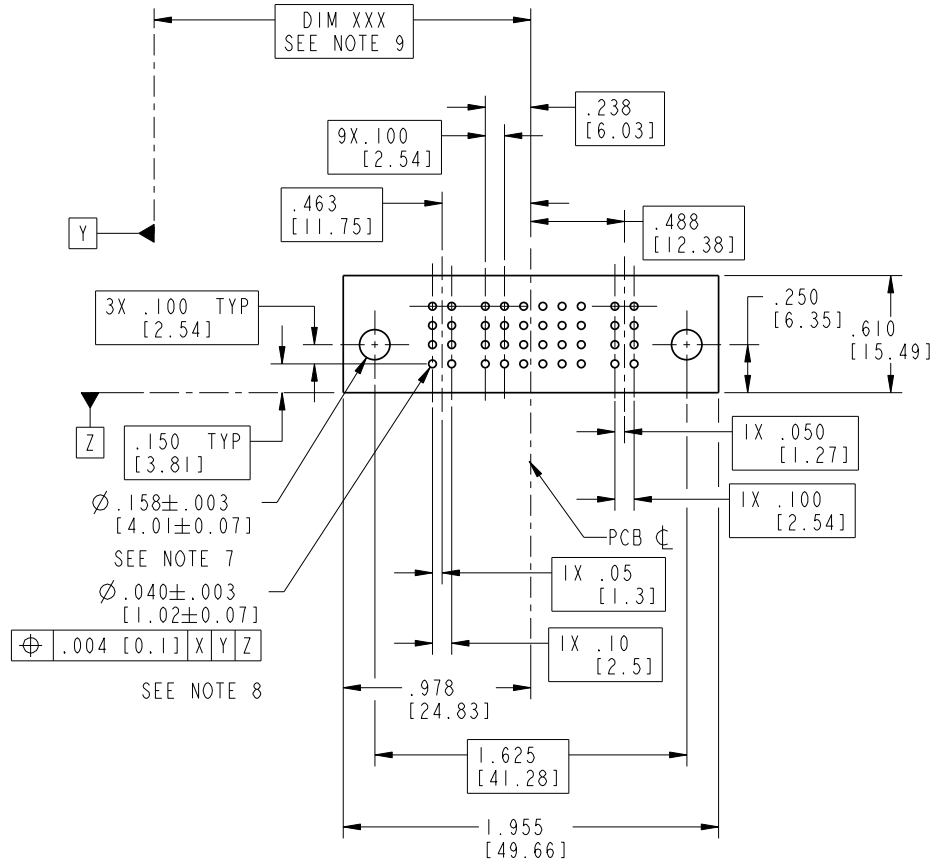
Printed: Oct 08, 2006

Tous droits strictement réservés. Reproduction ou communication o des liers interdite sous quelque forme que ce soit sans autorisation écrite du propriétaire. Propriete de c FCI. Droits de reproduction FCI.

FCI

All rights strictly reserved. Reproduction or issue to third parties in any form whatever is not permitted without written authority from the proprietor. Property of FCI. Copyright FCI.

PRODUCT NUMBER
51866-007__
NOTE: 3



mat'l code		SEE NOTE 2		tolerances unless otherwise specified		CUSTOMER		FCI		www.fciconnect.com	
lir	ecn no.	dr	date	linear	.XX±.01/0.X±0.3	projection	COPY		title		
B				linear	.XXX±.005/0.XX±0.13		INCH/MM		IP + 24S + IP		
				angles	.XXX±.0020/0.XXX±0.051		scale		R/A PRESS FIT RECEPT.		
				dr	J. SHAFFER 11/29/01	1:1		product family		code	
				enrg	J. ALLISON 11/29/01	A		PwrBlade		213	
				chr	J. ALLISON 11/29/01	A		size		sheet	
				appd	J. ALLISON 11/29/01	A		51866-007		3 of 4	
sheet index	revision sheet										

Pro/E

PDM: Rev: B

STATUS: **Released**

Printed: Oct 08, 2006

1 | 2

3 |

4

A

A

B

B

1 | 2

4

PRODUCT NUMBER

51866-007__
NOTE: 3

NOTES:

1. DIMENSIONS AND TOLERANCES ARE IN ACCORDANCE WITH ASME Y14.5M, 1994 UNLESS OTHERWISE SPECIFIED.

CONNECTORS NOTES:

2. HOUSING MATERIAL: UL 94 V-0 GLASS FILLED HIGH TEMP THERMO PLASTIC
POWER CONTACT MATERIAL: COPPER ALLOY
SIGNAL PIN MATERIAL: COPPER ALLOY

3. PLATING:

51866-007 Singal Pin:30u"/0.76um Au OVER 50u"/1.27um Ni ON THE CONTACT AREA.
AND 100u"/2.54um SnPb PLATING OVER 50u"/1.27um Ni ON THE TERMINATION SECTION.
Power Pin:30u"/0.76um Au OVER 50u"/1.27um Ni ON THE CONTACT AREA,
AND 100u"/2.54um SnPb PLATING OVER 50u"/1.27um Ni ON THE TERMINATION SECTION.

51866-007LF Singal Pin:30u"/0.76um Au OVER 50u"/1.27um Ni ON THE CONTACT AREA.
AND 78u"/2.00um Sn PLATING OVER 50u"/1.27um Ni ON THE TERMINATION SECTION.
Power Pin:30u"/0.76um Au OVER 50u"/1.27um Ni ON THE CONTACT AREA,
AND 78u"/2.00um Sn PLATING OVER 50u"/1.27um Ni ON THE TERMINATION SECTION.

PART NUMBER 51866-007LF MEETS EUROPEAN UNION DIRECTIVE AND OTHER ICOUNTRY REGULATIONS AS DESCRIBED IN GS-22-008.

THE HOUSING WILL WITHSTAND EXPOSURE TO 260° PEAK TEMPERATURE FOR 10 SECONDS IN A WAVE SOLDER APPLICATION WITH A CIRCUIT BOARD.


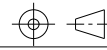
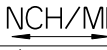
4. "MANUFACTURER" NAME, P/N, AND DATE CODE TO APPEAR ON THIS SURFACE.

5. PRODUCT SPECIFICATION GS-12-149.

PCB - NOTES:

- 6. ALL HOLE DIAMETERS ARE FINISHED HOLE SIZE.
- 7. HOLD DOWN THROUGH HOLES ARE UNPLATED.
- 8. Ø.0453±0.0010 [1.151±0.025] DRILLED HOLES PLATED WITH 0.0003 [0.008] MIN SnPb OVER .001 [0.03] TO .003 [0.08] Cu PLATING TO ACHIEVE Ø.040±.003 [1.02±.07] HOLE.
- 9. "DIM XXX" TO BE DETERMINED BY THE CUSTOMER.

10. USE FCI CAM TOOL 430140-XXX TO APPLY CONNECTOR TO PCB.

mat'l code		SEE NOTE 2		tolerances unless otherwise specified		CUSTOMER		 www.fciconnect.com		
lir	ecn no.	dr	date	linear	.XX±.01/0.X±0.3	projection		title		
B					.XXX±.005/0.XX±0.13			IP + 24S + IP R/A PRESS FIT RECEPT.		
				angles	.XXX±.0020/0.XXX±0.051	INCH/MM		product family		
					0° ± 2°			PwrBlade		code
				dr	J. SHAFFER 11/29/01	scale	1:1	size	dwg no	
				enrg	J. ALLISON 11/29/01			A	51866-007	213
				chr	J. ALLISON 11/29/01					sheet
				appd	J. ALLISON 11/29/01					4 of 4
sheet index	revision sheet									

Tous droits strictement reserves. Reproduction ou communication a des tiers interdite sous quelque forme que ce soit sans autorisation ecrite du proprietaire. Propriete de c FCI. Droits de reproduction FCI.



All rights strictly reserved. Reproduction or issue to third parties in any form whatever is not permitted without written authority from the proprietor. Property of FCI. Copyright FCI.