

**BTMM SERIES**

(2,00 mm) .0787"

# LOW PROFILE SQUARE POST JUMPER

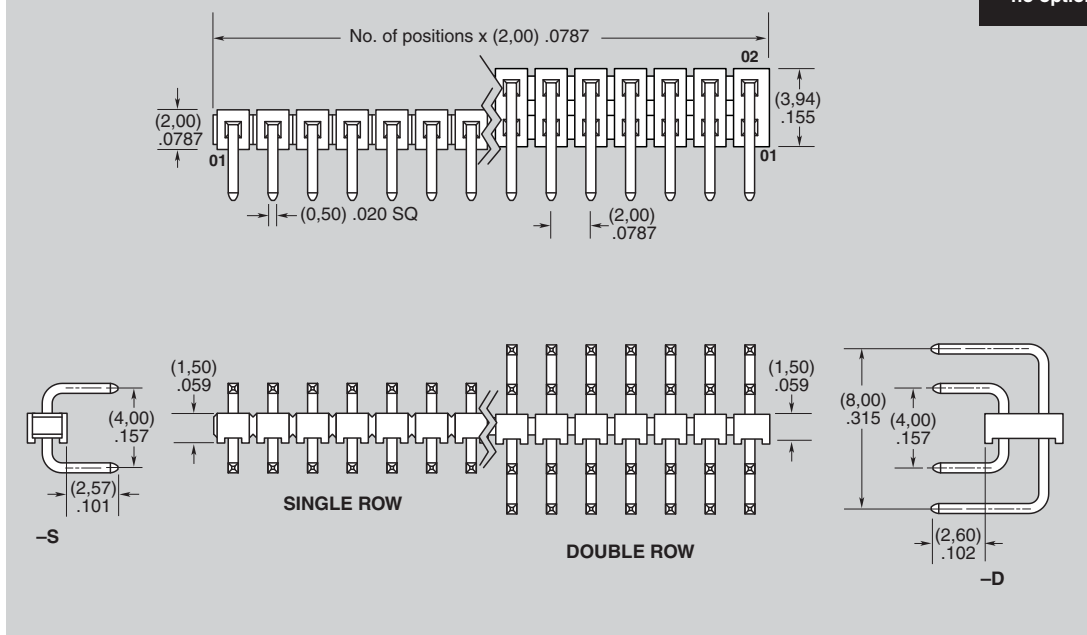
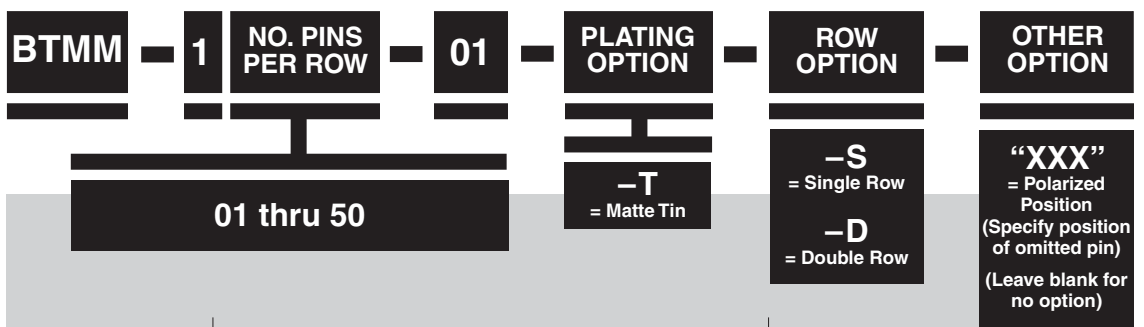
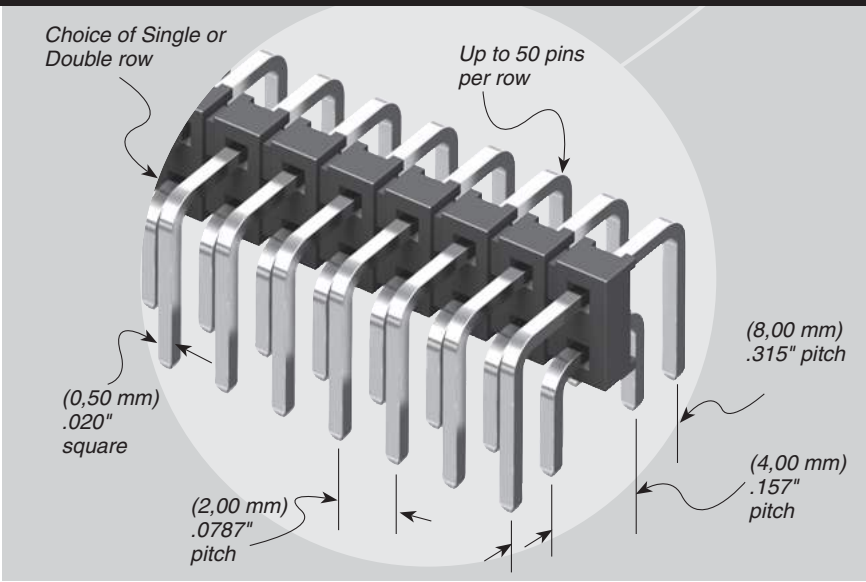
**SPECIFICATIONS**

For complete specifications see [www.samtec.com?BTMM](http://www.samtec.com?BTMM)

- Insulator Material:** Black Liquid Crystal Polymer
- Terminal Material:** Phosphor Bronze
- Plating:** Sn over 50µ" (1,27µm) Ni
- Operating Temp Range:** -55°C to +105°C
- RoHS Compliant:** Yes
- Lead-Free Solderable:** Yes

**RECOGNITIONS**

For complete scope of recognitions see [www.samtec.com/quality](http://www.samtec.com/quality)



**Note:** Some sizes, styles and options are non-standard, non-returnable.