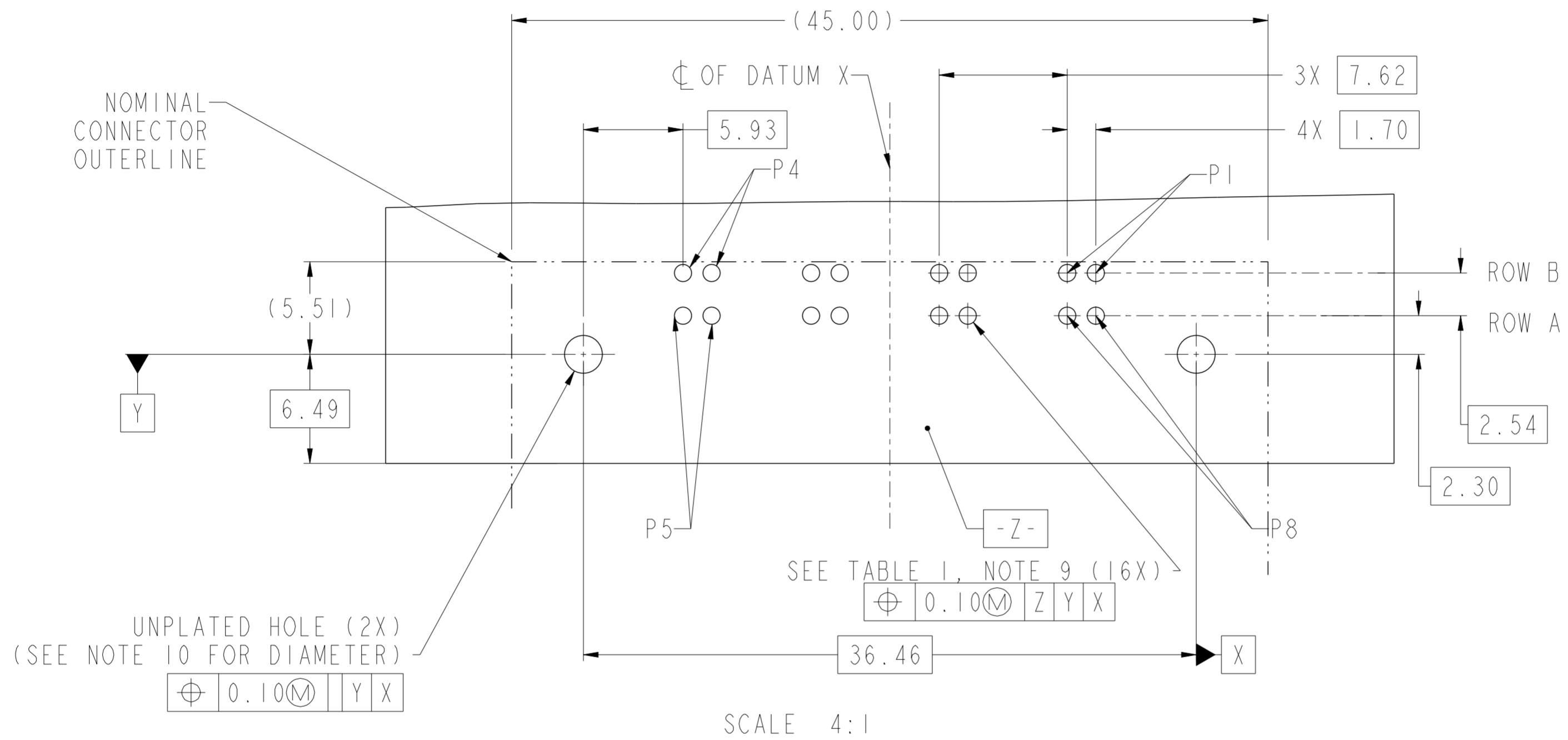
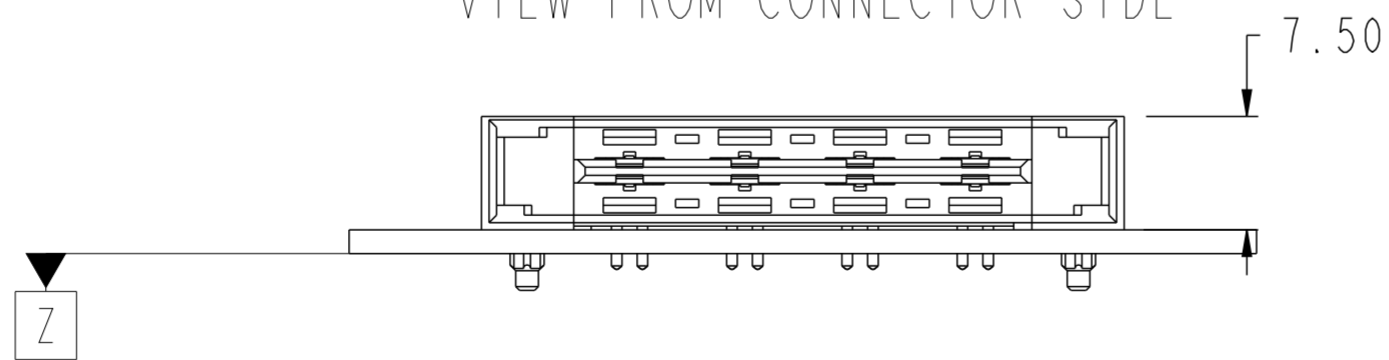


spec ref	-	dr	Liu Jenson	2013/09/17	projection	MM	size	A2	scale	3:1	
tolerance std	ASME Y14.5	eng	Liu Jenson	2014/04/22			ecn no	ELX-DG-17541-1			
TOLERANCES UNLESS OTHERWISE SPECIFIED		chr	Jon Qin	2014/04/25			rel level	Released			
surface	ASME Y14.5	appr	Collins Lu	2014/04/25			product family	HPCE			
linear	0.X ±0.3			title	R/A HEADER 16P (HP) ASM			dwg no	10127285		
	0.XX ±0.10	www.fci.com		cat. no.	-			Product - Customer Drw	sheet 1 of 3		
	0.XXX ±0.050							rev	B		
angular	0° ±2°										

CONTACT TYPE	TOP LAYER DESCRIPTION	TABLE 1 (HPCE / SOLDER TAILS) PLATED THROUGH-HOLE REQUIREMENTS				
		DRILLED HOLE DIAMETER	COPPER THICKNESS	TIN-LEAD THICKNESS	TIN THICKNESS	FINISHED HOLE DIAMETER
POWER	TIN-LEAD	1.10-1.16 (1.15 DRILL)	0.025 - 0.050	0.005 - 0.015	--	0.94 - 1.10
	IMMERSION TIN	1.10-1.16 (1.15 DRILL)	0.025 - 0.050	--	0.9 - 1.5um	0.94 - 1.10
	COPPER (SEE NOTE 8)	1.10-1.16 (1.15 DRILL)	0.025 - 0.050	--	--	0.94 - 1.10



RECOMMENDED PCB LAYOUT
VIEW FROM CONNECTOR SIDE



spec ref	-	dr	Liu Jenson	2013/09/17	projection	MM	size	A2	scale	3:1	
tolerance std	ASME Y14.5	eng	Liu Jenson	2014/04/22			ecn no	ELX-DG-17541-1	rel level	Released	
TOLERANCES UNLESS OTHERWISE SPECIFIED		chr	Jon Qin	2014/04/25							
		appr	Collins Lu	2014/04/25							
surface	ASME Y14.5	linear	0.X	±0.3	0.XX	±0.10	0.XXX	±0.050	angular	0°	±2°
				FCI		FCI		FCI		FCI	
		www.fci.com		cat. no.		-		Product - Customer Drw		sheet 2 of 3	
		R/A HEADER 16P (HP) ASM		HPCE CTB R/A-HEADER		R/A HEADER 16P (HP) ASM		HPCE CTB R/A-HEADER		R/A HEADER 16P (HP) ASM	
		10127285		10127285		10127285		10127285		10127285	
		B		B		B		B		B	

PRODUCT PART NUMBER

10127285-□□□□□ LF


BASE PART NUMBER

CONTACT AREA PLATING
 UNDERPLATED 50u"(1.27um) MIN. NICKEL
 1: 100u"(2.5um) MIN. Ag
 2: 30u"(0.760um) MIN. GXT

FIRST MATE LAST BREAK PIN POSITION
 000: ALL PINS ARE LONG PINS SEE TABLE

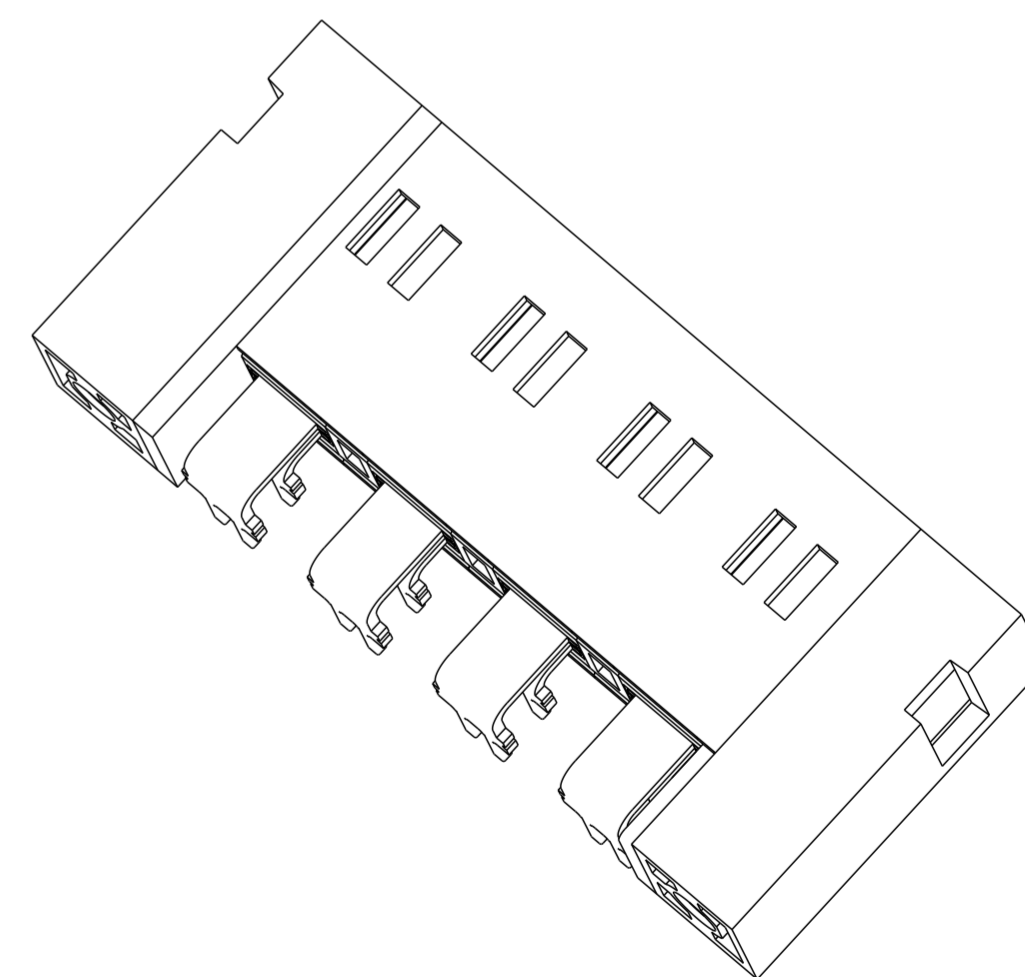
DIM "A", TAIL LENGTH
 1: 2.60±0.25mm (PCB THK 1.57±0.13mm)
 2: 3.25±0.25mm (PCB THK 2.36±0.13mm)

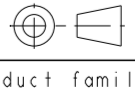
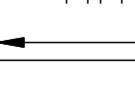
NOTES:

1. CONNECTOR MATERIALS:
 HOUSING:HIGH TEMPERATURE THERMAL PLASTIC, BLACK UL 94V-0 COMPLIANT
 CONTACTS:HIGH PERFORMANCE COPPER ALLOY.
2. CONTACT FINISH REF. GS-12-1031 SECTION 5.2
3. PRODUCT SPECIFICATION: GS-12-1031
4. APPLICATION SPECIFICATION: GS-20-0369
5. PRODUCT MARKING (FCI PART NUMBER & DATE CODE) ON HOUSING IN AREA SHOWN.
6. PACKAGING MEETS FCI SPECIFICATION GS-14-2272 
7. HOUSING COMPONENT WILL WITHSTAND EXPOSURE TO 260°C PEAK TEMPERATURE FOR 60 SECONDS IN A CONVECTION, INFRA-RED, OR VAPOR PHASE REFLOW OVEN.
8. COPPER PLATING THICKNESS IN CENTER OF VIA-HOLE CAN BE NO MORE THAN 0.003 LESS THAN OTHER AREAS.
9. ALL HOLE SIZES ARE FINISHED HOLE SIZES.
10. MOUNTING HOLES ARE UNPLATED
 Ø 2.25±0.05 FOR SOLDER TAILS

000	END MODULE	POWER CONTACT					END MODULE
		4	3	2	1		
		PI	PI	PI	PI	ROW A	
		P3	P3	P3	P3	ROW B	

	ROW#	P#	DIM "C"±0.25	DIM "A"±0.25
POWER CONTACT	ROW A	P1	8.86	2.60
		P2	7.59	2.60
		P5	8.86	3.25
		P6	7.59	3.25
	ROW B	P3	8.86	2.60
		P4	7.59	2.60
		P7	8.86	3.25
		P8	7.59	3.25



spec ref	-	dr	Liu Jenson	2013/09/17	projection	MM	size	A2	scale	3:1											
tolerance std	ASME Y14.5	eng	Liu Jenson	2014/04/22			ecn no	ELX-DG-17541-1													
TOLERANCES UNLESS OTHERWISE SPECIFIED		chr	Jon Qin	2014/04/25			rel level	Released													
surface	<table border="1"> <tr> <td>linear</td> <td>0.X</td> <td>±0.3</td> </tr> <tr> <td></td> <td>0.XX</td> <td>±0.10</td> </tr> <tr> <td></td> <td>0.XXX</td> <td>±0.050</td> </tr> <tr> <td>angular</td> <td>0°</td> <td>±2°</td> </tr> </table>	linear	0.X	±0.3				0.XX	±0.10		0.XXX	±0.050	angular	0°	±2°	appr	Collins Lu	2014/04/25	product family	HPCE	
linear	0.X	±0.3																			
	0.XX	±0.10																			
	0.XXX	±0.050																			
angular	0°	±2°																			
ASME Y14.5		www.fci.com	cat. no.	-	Product - Customer Drw	sheet 3 of 3	rev	B													