

PRODUCT NUMBER
87690-YXXRLF

- RoHS COMPATIBLE, SEE NOTE 6
- OPTION, NOTE 4.
- PIN STYLE, SHEET 2.

PLATING

- 1 = 0.76µm FULL GOLD/GXT, OVER 1.27µm Ni MIN
- 3 = 3.81µm FULL TIN/LEAD OVER 1.27µm Ni MIN.
WHEN "LF" IS REQUIRED, 2µm MATTE TIN OVER
1.27µm MIN NICKEL IS PROVIDED INSTEAD OF TIN-LEAD
- 7 = FULL GOLD FLASH, OVER 1.27µm Ni MIN
- 8 = 0.38µm FULL GOLD/GXT, OVER 1.27µm Ni MIN

NOTES:

1. HOUSING MAT'L : HIGH TEMPERATURE THERMOPLASTIC. UL94V-0 COLOR: BLACK.
2. PIN MATERIAL : PHOSPHOR BRONZE.
3. 12N MIN RETENTION IN EITHER DIRECTION.
4. FOR RETENTION FEATURE DETAILS, SEE SHEET 3. OMIT IF FEATURE NOT APPLICABLE
5. STANDARD PACKAGING IN POLYBAGS.
6. RoHS COMPATIBLE PRODUCT SPECIFICATIONS

a - PLATING:

- "LF" MEANS THE PRODUCT IS LEAD-FREE, 2µm MINIMUM MATTE TIN OVER 1.27µm MINIMUM NICKEL UNDERPLATE.

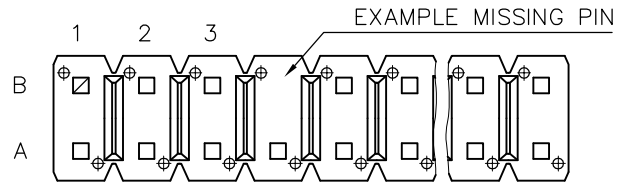
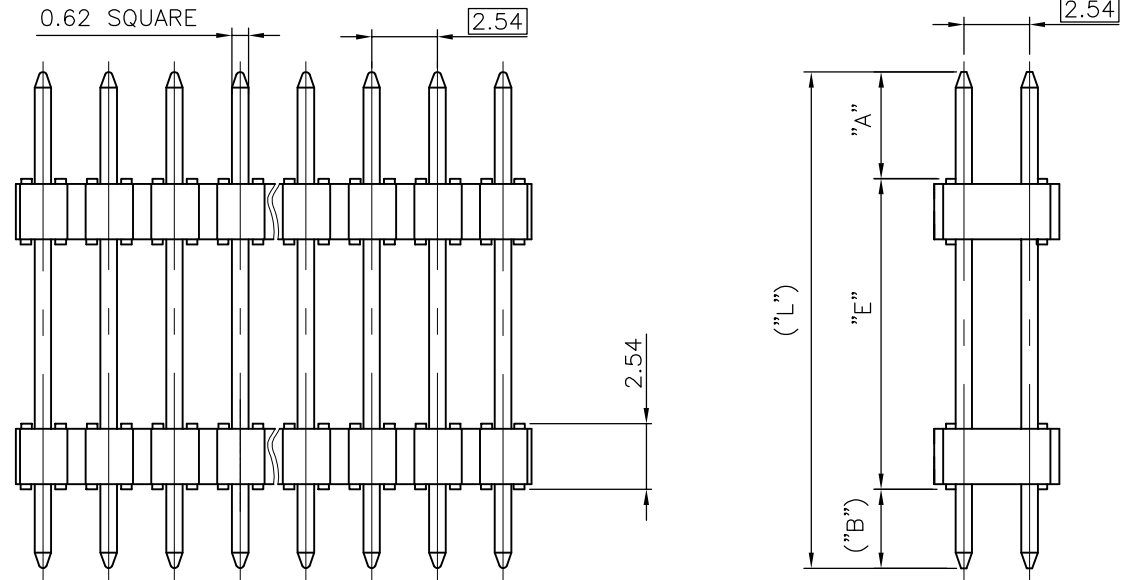
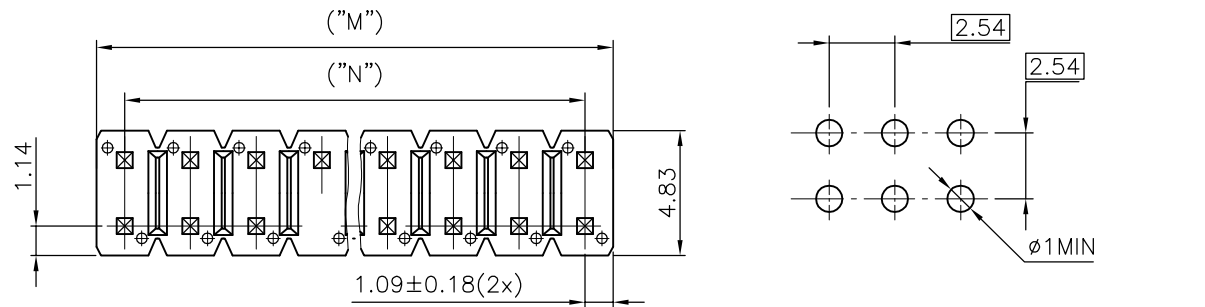
b - MANUFACTURING PROCESS COMPATIBILITY

- THE HOUSING WILL WITHSTAND EXPOSURE TO 260°C ±5°C SOLDER BATH TEMPERATURE FOR 5 SECONDS IN A WAVE SOLDER APPLICATION WITH A 1.6mm MIN THICK CIRCUIT BOARD.

c - LABELING:

- MEETS PACKAGING SPECS AS PER GS-14-920

d - LEGAL STATEMENT: SEE GS-47-0004



BOTTOM VIEW

mat'l. code SEE NOTES		surface ISO 1302	tolerance ISO 406 ISO 1101	projection mm	product family BSTIK
ltr ecn no dr date		tolerances unless otherwise specified		title	
V	F12-0043	LMU	12.05.02	HEADER STR,DR	
W	B-19782	AMA	14.12.18	DOUBLE BODY POL	
X	B-21151	AMA	15.06.15	dwg no	
Y	F-22417	JJU	15.11.05	sheet 1 of 3 size	
AA	F23090	JCO	16.01.20	87690 A3	
U	F06-0196	LMU	06.06.20	type CUSTOMER Drawing	
sheet	revision	AA	W	G	
index	sheet	1	2	3	

1

2 3

4

5

6

PRODUCT NUMBER	PRODUCT DIMENSIONS							VIEW OF MISSING PINS POSITION FROM BOTTOM VIEW						
	NBR POS	"A" ±0.2	"E" ±0.25	"B" ±0.25	("L") REF	("M") REF	("N") REF	1	5	10	15	20	25	30
87690-X07	2x10	11.96	18.5	3.2	33.66	25.4	22.86							
87690-X10	2x10	11.96	18.5	3.2	33.66	25.4	22.86							
87690-X15	2x07	11.96	18.5	3.2	33.66	17.78	15.24							
87690-X18	2x09	4.95	6.00	4.95	15.90	22.86	20.82							
87690-X19	2x09	8.60	6.00	8.60	23.20	22.86	20.82							
87690-X20	2x10	6.00	14.70	3.30	24.00	25.4	22.86							
87690-X21	2x19	6.00	14.70	3.30	24.00	48.26	45.72							
87690-X22	2x13	10.50	7.75	10.50	28.80	33.02	30.48							
87690-X23	2x14	8.60	6.00	8.60	23.20	35.56	33.02							
87690-X24	2x14	8.95	6.00	8.95	23.9	35.56	33.02							



FCIconnect.com

Copyright FCI

mat'l. code		surface ISO 1302		tolerance ISO 406 ISO 1101		projection		product family	
ltr		ecn no		date		tolerances unless otherwise specified		title	
V		F-22417		JJU 15.11.05		linear		mm	
W		F-23090		JCO 16.01.20				scale N/A	
R		F06-0196		LMU 06.06.20		dr O. MATHEVON		96.06.07	
S		F12-0043		LMU 12.05.02		enr JMC		96.06.07	
T		B-19776		AMA 14.12.18		chr JMC		96.06.07	
U		B-21151		AMA 15.06.15		appd JMC		96.06.07	
sheet		revision							
index		sheet							
								product family BSTIK	
								title	
								HEADER STR,DR	
								DOUBLE BODY POL	
								dwg no	
								sheet 2 of - size	
								87690 A3	
								type CUSTOMER Drawing	

1

2

3

4

5

6

1

2 3

4

5

6

A

B

C

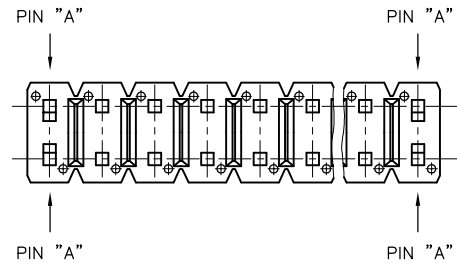
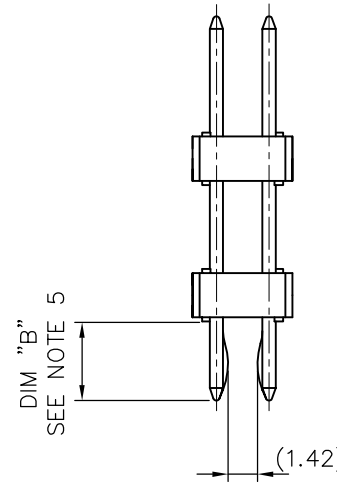
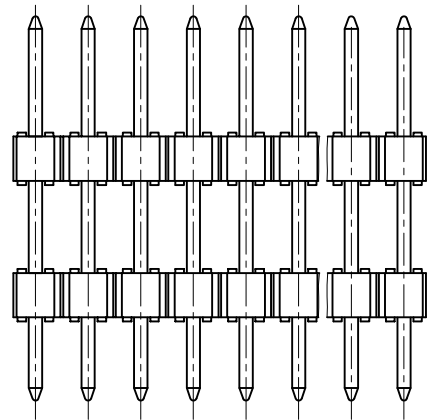
D

A

B

C

D



NOTES:

- 1 - PART NUMBER 87690-YXX
- 2 - PINS "A" USED FOR RETENTION.
- 3 - DIRECTION OF RETENTION SHOWN BY ARROWS.
- 4 - KINKED LEGS LOCATION CAN BE MOVED IF A PIN IS MISSING.
- 5 - RETENTION VERSION ONLY AVAILABLE WHEN DIM"B" IS BETWEEN 2.9 mm AND 3.5 mm.
- 6 - 2 AND 3 POSN KINKED HEADER ARE NOT AVAILABLE.

"R" INDICATES A RETENTION HEADER.



FCIconnect.com

Copyright FCI

mat'l. code		surface		tolerance		projection		product family	
		ISO 1302		ISO 406 ISO 1101				BSTIK	
ltr		ecn no		dr		date		title	
A		F60421		OMA		96.06.07		HEADER STR,DR	
B		70102		JMC		97.01.10		DOUBLE BODY POL	
C		F70179		JMC		97.03.28		scale N/A	
D		F70815		OMA		97.12.23		dr O. MATHEVON 96.06.07	
E		F80321		JMC		98.05.04		engr JMC 96.06.07	
F		05-0291		JCO		05.11.14		chr JMC 96.06.07	
G		F06-0196		LMU		06.06.20		appd JMC 96.06.07	
sheet		revision							
index		sheet							