

# > em4

## Accessories

### RS485 polarized interface, Modbus master / slave

- > Modbus RTU or ASCII RS485 master / slave standard widely used in industry
- > Useful to connect one or several em4 to a programmable touch panel or a SCADA
- > The removable connector allows to unplug em4 without cutting the network
- > Include End Of Line resistor
- > Direct connection with screw terminals without the need external accessories



RS485 interface - Black

#### Specific characteristics

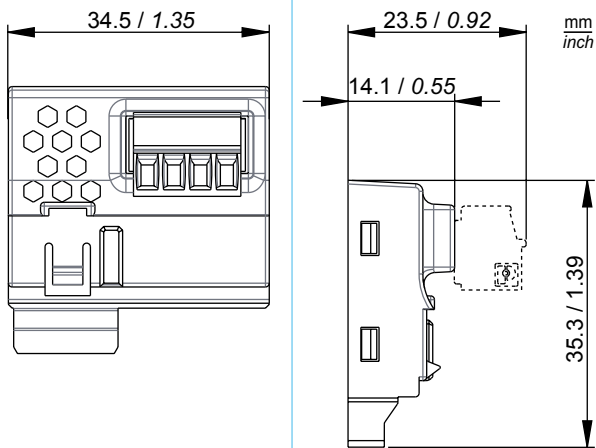
Part number	88 980 122
Finish	Glossy black
Color	Black RAL 9011

#### General characteristics

Protocol	Master and Slave Modbus
Compatible	Base 24 VDC power supply version
Protection rating (in accordance with IEC/EN 60529)	IP 20
Type	2 wires
transmission mode	RTU 8 bits / ASCII 7 bits
Parity	None, even, odd
Stop bit	1 or 2
Transmission rate	1200, 2400, 4800, 9600, 19200, 28800, 38400, 57600 bauds
Adressing	From 1 to 247
Line Terminaison	included, connectable by wiring
Line Polarization	Included
Compatible connector	Phoenix contact: 1916410 Dinkle: EC350V-04P-BK Framatome connectors: 20020004-C042B01LF (Included with the interface)
Weight	Without packing: 13 g / With packing: 19 g
Dimensions	Without packing: 35 x 36 x 26 mm / 1.38 x 1.42 x 1.02 inch With packing: 80 x 140 x 30 mm / 3.15 x 5.51 x 1.18 inch
Products certifications	CE,cURus
Conformity with the EMC directive (in accordance with 2014/30/EU)	IEC/EN 61000-6-1 (Residential, commercial and light-industrial environments) IEC/EN 61000-6-2 (Industrial) IEC/EN 61000-6-3 (Residential, commercial and light-industrial environments) IEC/EN 61000-6-4 (Industrial)
Operation temperature	-20 (-4 °F) => +60°C (140 °F) (+40°C (104 °F) in a non-ventilated enclosure)
Storage temperature	-40 (-40 °F) => +80°C (176 °F)
Relative humidity	95% max. (no condensation or dripping water)
Maximum utilization altitude	Operation: 2000 m / Transport: 3000 m
Resistance to electrostatic discharge	Immunity to ESD IEC/EN 61000-4-2, level 3
Resistance to HF interference (Immunity)	Immunity to radiated electrostatic fields IEC/EN 61000-4-3, level 3 Immunity to fast transients (burst immunity) IEC/EN 61000-4-4, level 3 Immunity to shock waves IEC/EN 61000-4-5 Radio frequency in common mode IEC/EN 61000-4-6, level 3
Conducted and radiated emissions (in accordance with EN 55022/11 group 1)	Class B

Diagrams

Dimensions



Connections

