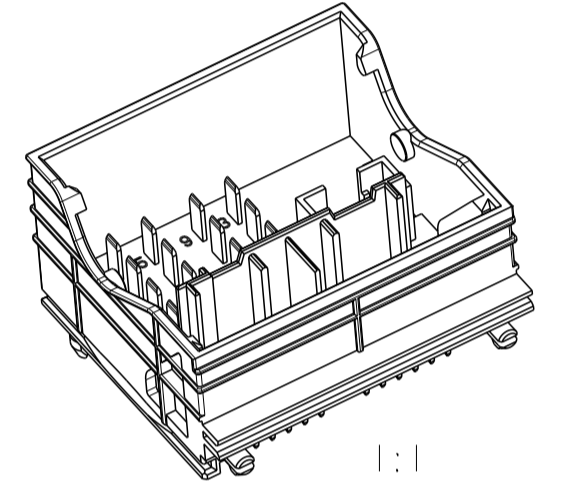
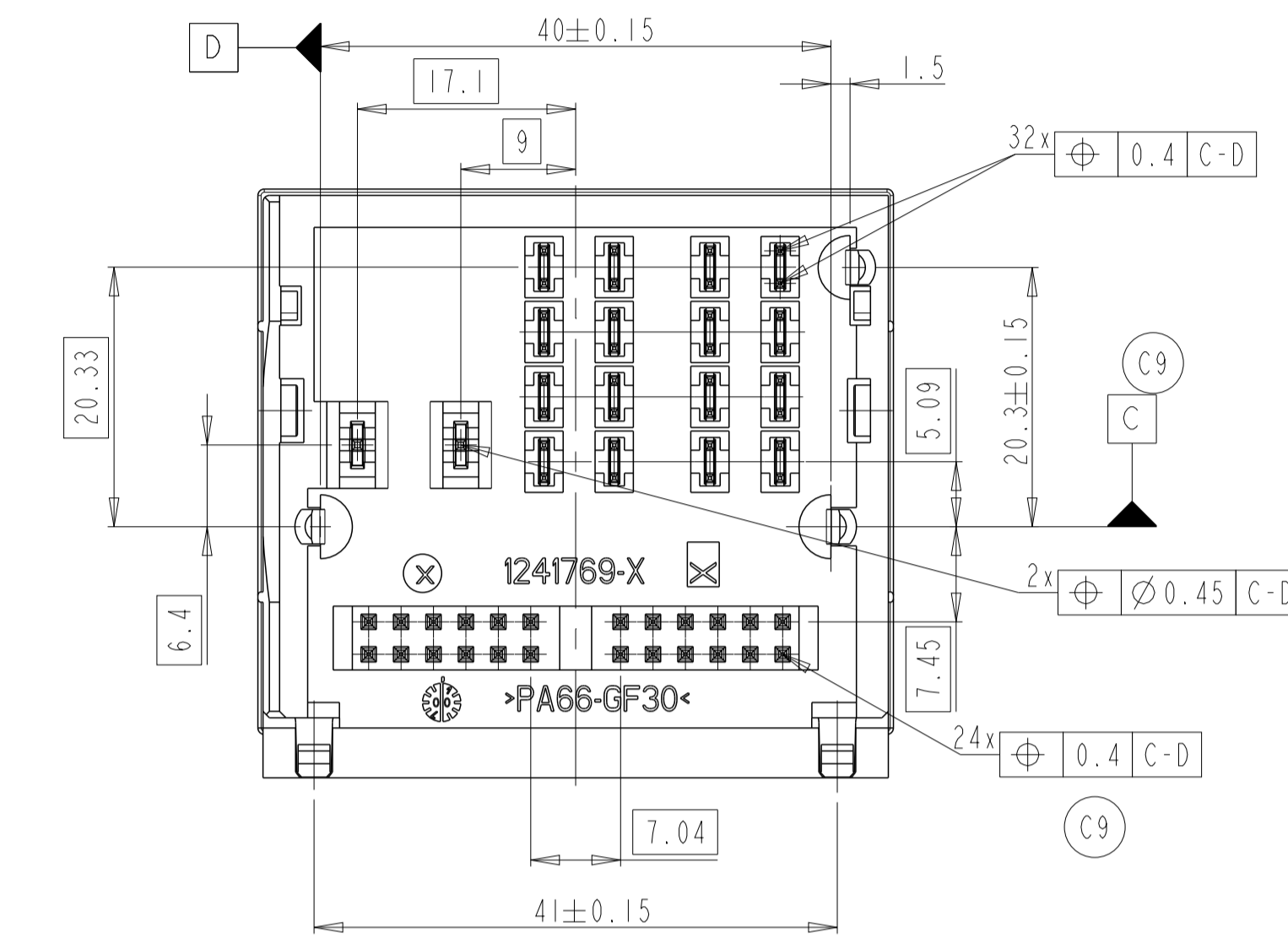
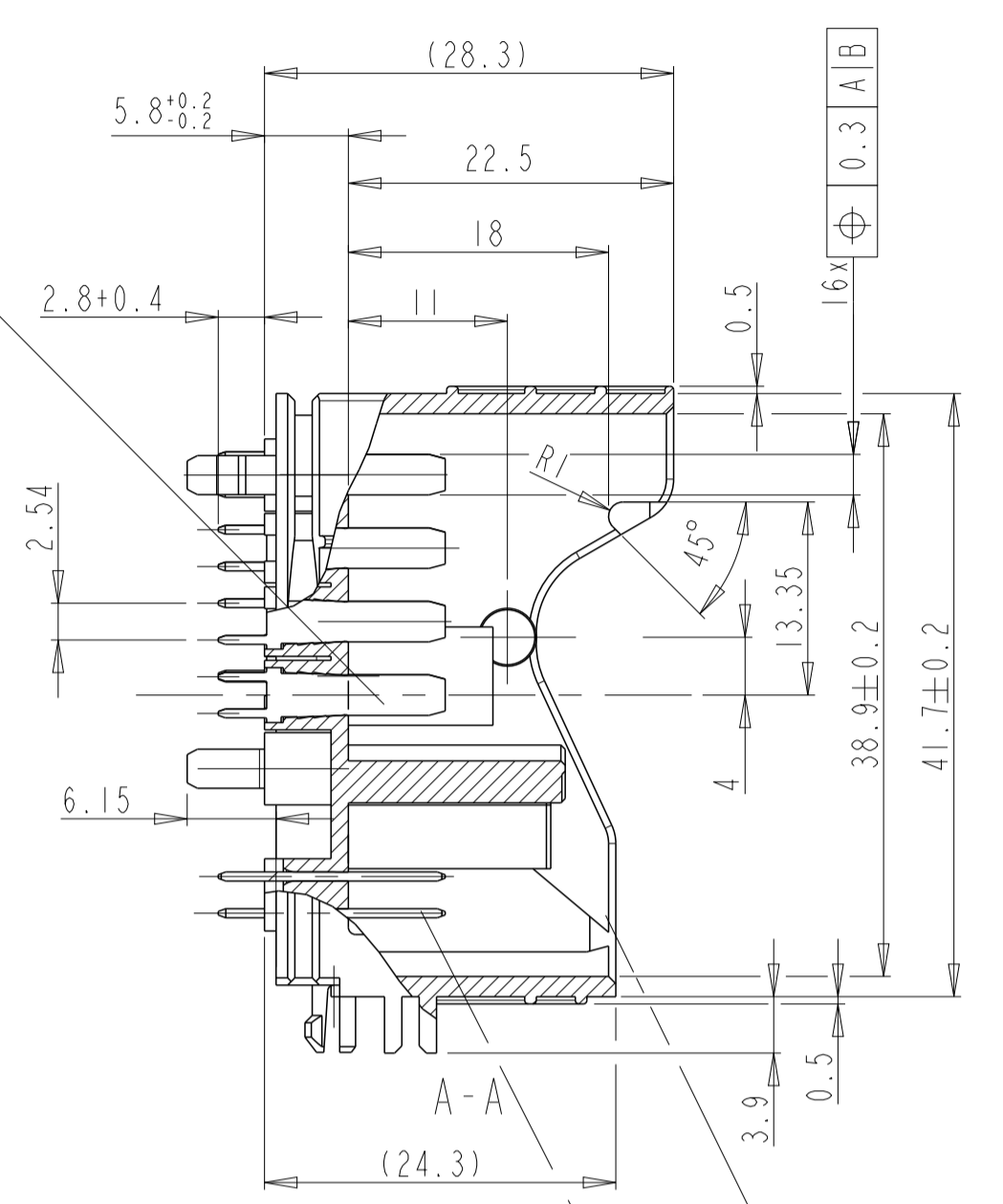
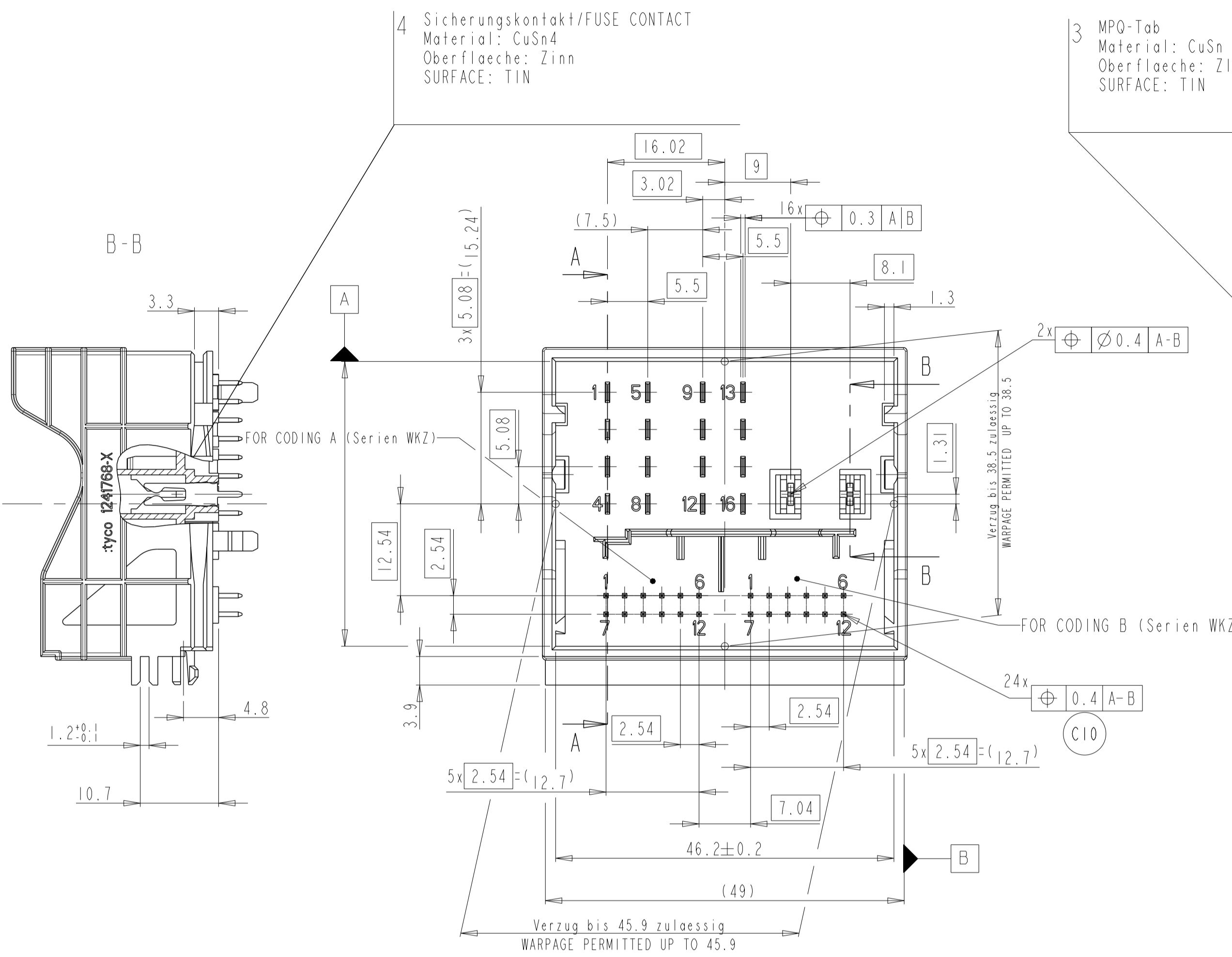
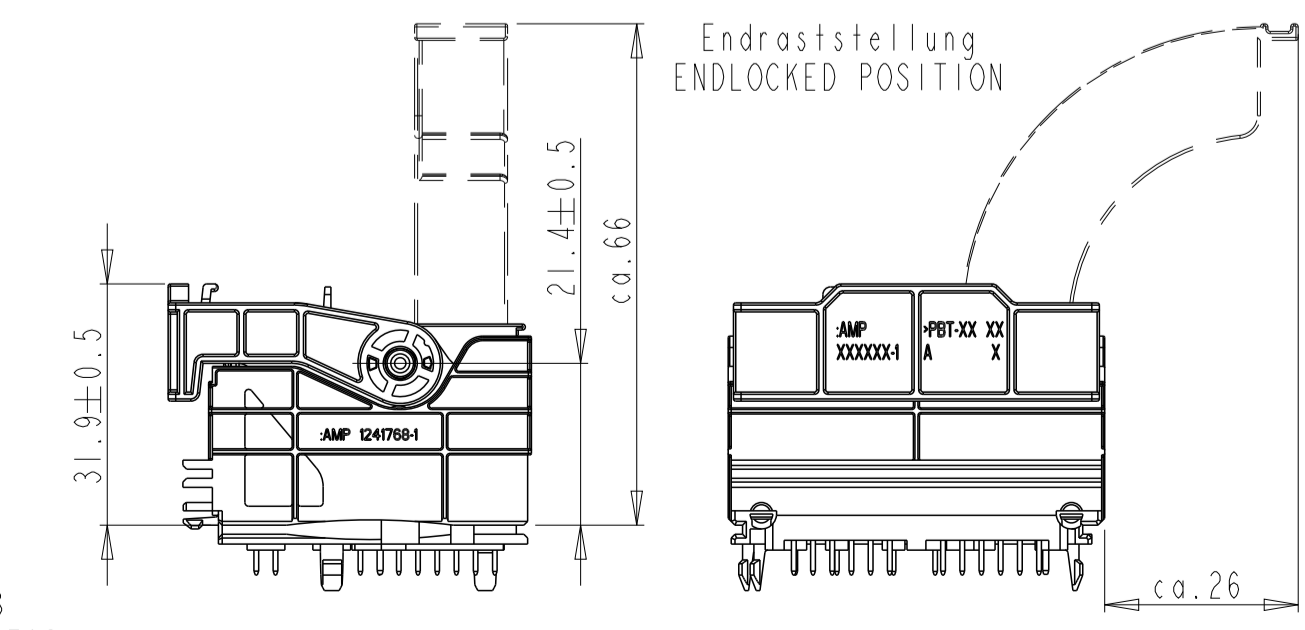
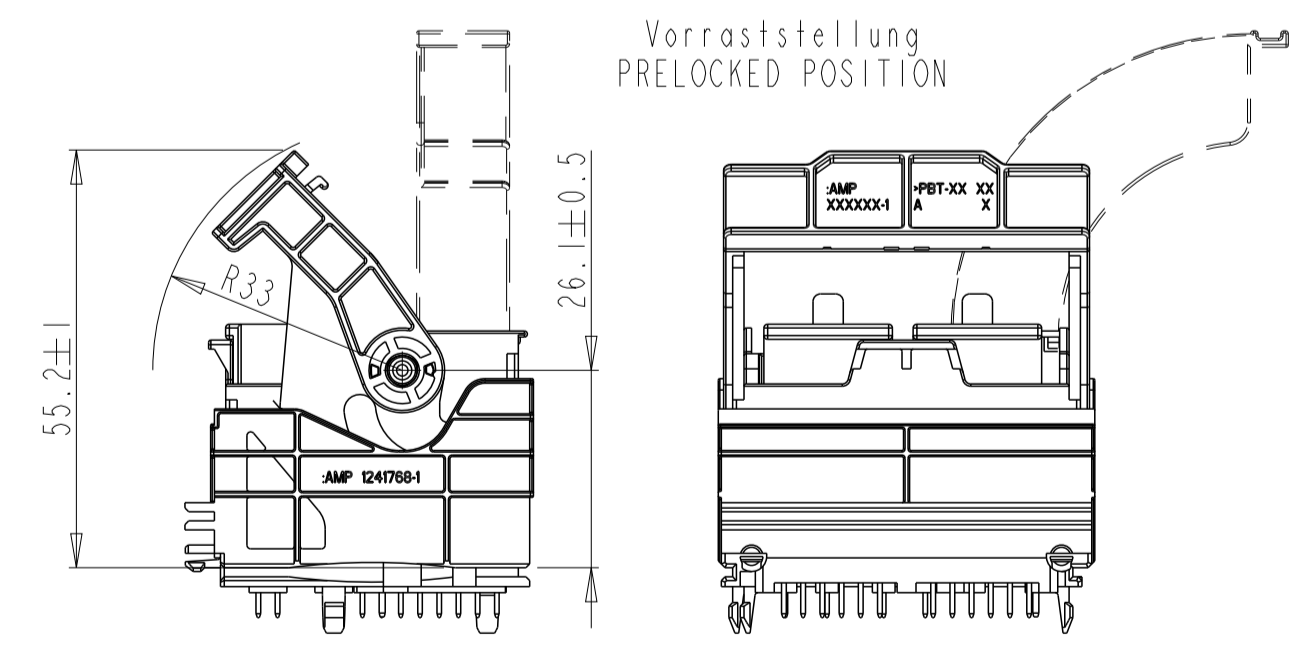
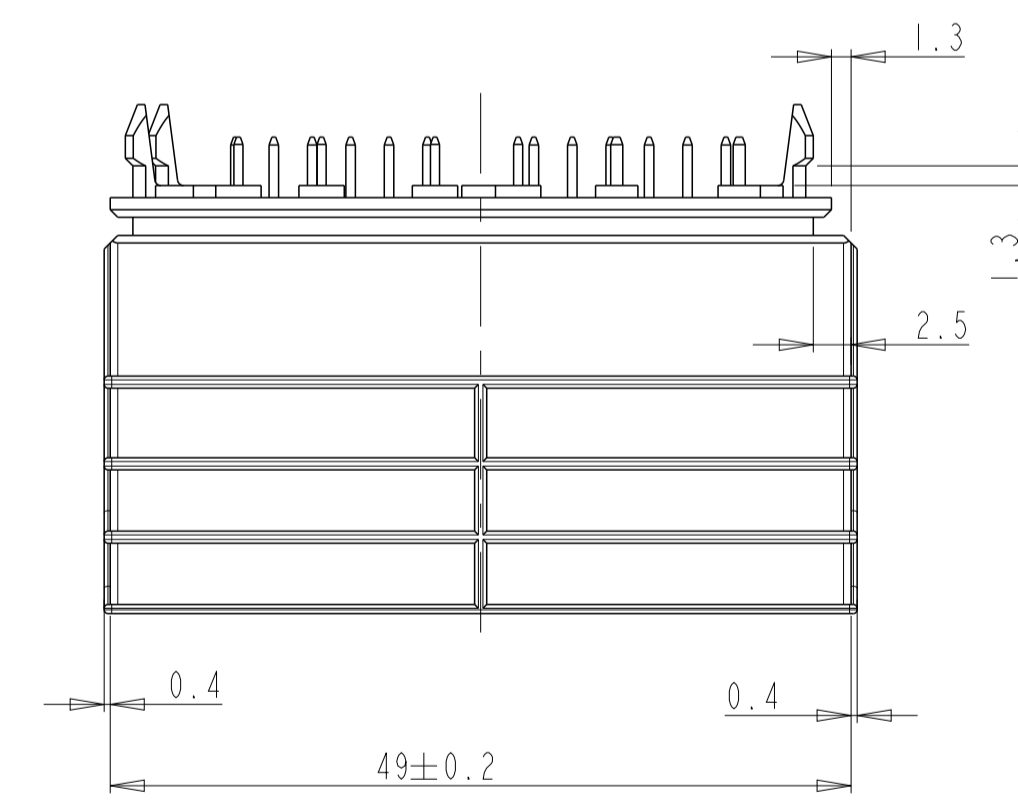
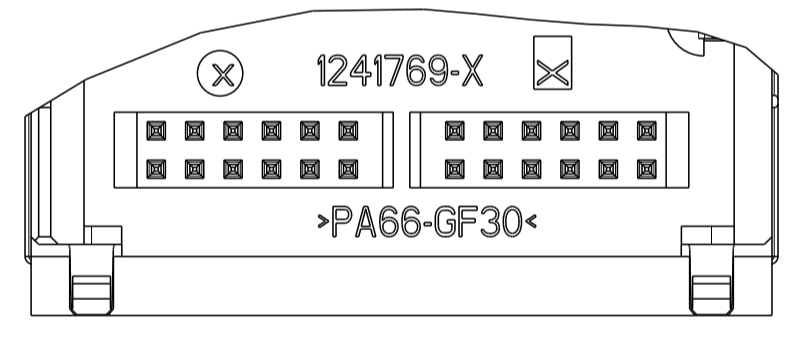


REVISIONS				
NO.	DATE	BY	CHK	APPV
C11	02OCT2008	AL		BF
C12	05NOV2020	MKS		KK



Verzug bis 45.9 zulässig
WARPAGE PERMITTED UP TO 45.9

Materialentnahme
wahlweise. Gilt fuer
alle Varianten



Bemerkungen
NOTES

- 1 Massgebend ist der deutsche Text
ONLY THE GERMAN-LANGUAGE VERSION SHALL BE BINDING
- 2 Kontaktausdrueckkraft >25N mit Vorschub 25mm/min
PRESS OUT FORCE OF CONTACTS >25N WITH FORCE 25mm/min
- 3 Verpackung: lagenweise (Karton, Teil), nach Verpackungsanweisung VI241768
PACKING: IN LAYERS (BOX, SAMPLE), ACC. PACKAGING INSTRUCTION VI241768
- 4 Lötbarkeit gemass DIN IEC 60068-2-20, Alterung 3
SOLDERABILITY ACCORDING DIN IEC 60068-2-20, AGEING 3
- 5 Einzelheiten der Ausfuehrung bleiben dem Hersteller ueberlassen
DETAILS OF DESIGN ARE LEFT TO MANUFACTURER
- 6 Produkt darf nur mit Zustimmung von BMW, in Absprache mit FAKRA und VW, geaendert werden
PRODUCT SHALL BE CHANGED WITH THE AGREEMENT OF BMW, FAKRA AND VW ONLY
- 7 PN I-1241768-2/ I-1241768-3 verpackt in ESD-Tray (PS-leitfaehig) und Karton, nach Verpackungsanweisung VI241768
PN I-1241768-2/ I-1241768-3 PACKED INTO ESD-TRAY (PS CONDUCTIVE) AND CARTON, ACC. PACKAGING INSTRUCTION VI241768

SEE SHEET 2 OF 2	REV.	POS.	Stk. QTY.	Benennung DESCRIPTION	Oberflaeche SURFACE	Farbe COLOUR	Passend zu: SUITABLE FOR:
1-1241768-3	C	-	4	ESD- TRAY	BLACK		1241765-2 I-1355035-1
		2	2	FUSE CONTACT	TIN		
		3	16	TAB 2.8x0.6	TIN		
		2	24	MOS PIN	TIN		
		5	1	PIN HEADER	LIGHT BLUE		
1-1241768-2	C	-	4	ESD-TRAY	BLACK		1241765-2 I-1355035-1
		2	2	FUSE CONTACT	TIN		
		3	16	TAB 2.8X0.6	TIN		
		2	24	MOS PIN	TIN		
		5	1	PIN HEADER	BLACK		
OBSOLETE 1-1241768-7	B	4	2	FUSE CONTACT	TIN		1241765-2 I-1355035-1
		3	16	TAB 2.8X0.6	TIN		
		2	4	MOS PIN	TIN		
		10	1	PIN HEADER	BLACK		
1241768-5	A	9	1	MINI FUSE, 10A	-		1241765-2 I-1355035-1
		4	2	FUSE CONTACT	TIN		
		3	16	TAB 2.8X0.6	TIN		
		2	24	MOS PIN	TIN		
1241768-4	C	8	1	PIN HEADER	BLACK		1241765-2 I-1355035-1
		4	2	FUSE CONTACT	TIN		
		3	16	TAB 2.8X0.6	TIN		
1241768-3	C	2	-	MOS PIN	-		1241765-2 I-1355035-1
		7	1	PIN HEADER	BLACK		
		4	2	FUSE CONTACT	TIN		
1241768-2	C	3	16	TAB 2.8X0.6	TIN		1241765-2 I-1355035-1
		2	24	MOS PIN	TIN		
		5	1	PIN HEADER	BLACK		
1241768-1	C	4	2	FUSE CONTACT	TIN		1241765-2 I-1355035-1
		3	16	TAB 2.8X0.6	TIN		
		2	24	MOS PIN	TIN		
			1	1	PIN HEADER	BLACK	

THIS DRAWING IS A CONTROLLED DOCUMENT. THESE DIMENSIONS ARE SUBJECT TO CHANGE WITHOUT NOTICE. ALL DIMENSIONS ARE IN MILLIMETERS UNLESS OTHERWISE SPECIFIED. DIMENSIONS: MILLIMETERS. TOLERANCES: UNLESS OTHERWISE SPECIFIED: ALL DIMENSIONS UNLESS OTHERWISE SPECIFIED: ±0.2. FINISH: UNLESS OTHERWISE SPECIFIED: STANDARD. MATERIAL: UNLESS OTHERWISE SPECIFIED: PA66-GF30. WEIGHT: 21g. CUSTOMER DRAWING. DATE: 29APR99. CHK: J. Hahn. APPV: M. Matern. NAME: Micro Power Quadlok - Micro Quadlok System, PIN HEADER 16+24 POSN. Stiftwanne 16+24-pol. SIZE: A1. CAGE CODE: 00779. DRAWING NO: 1241768. SHEET: 2 OF 2. REV: 12.

