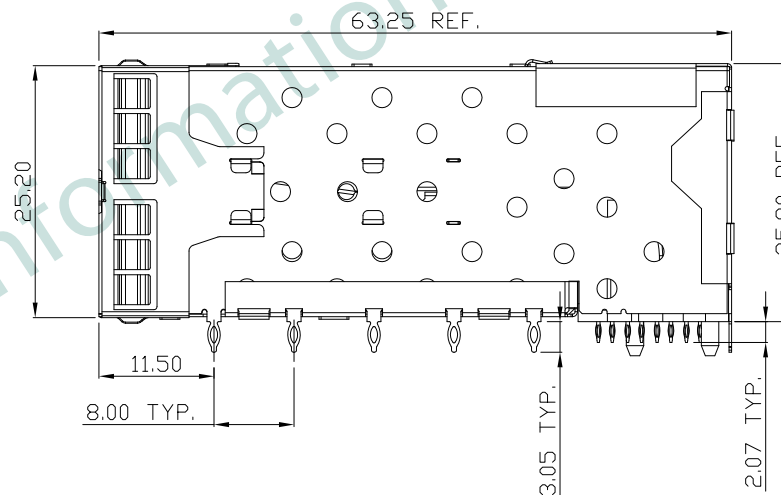
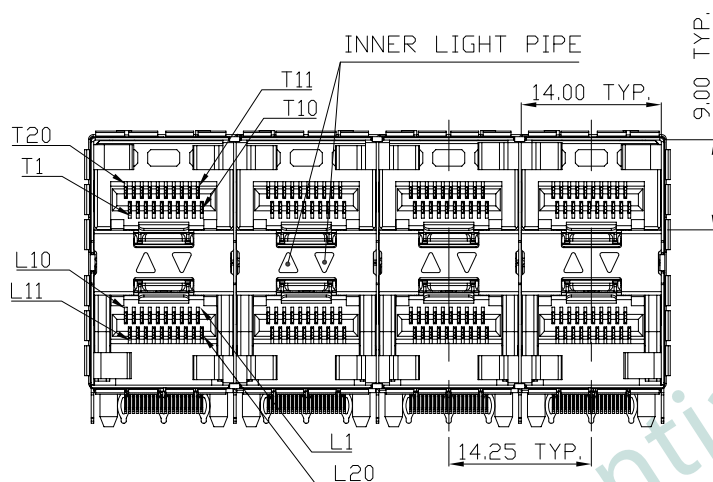


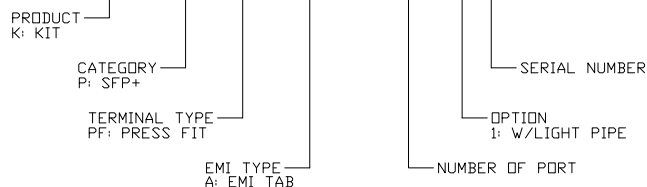
REV.	DATE	DESCRIPTION
01	Sep. 13, '18	1st RELEASE

NOTES:

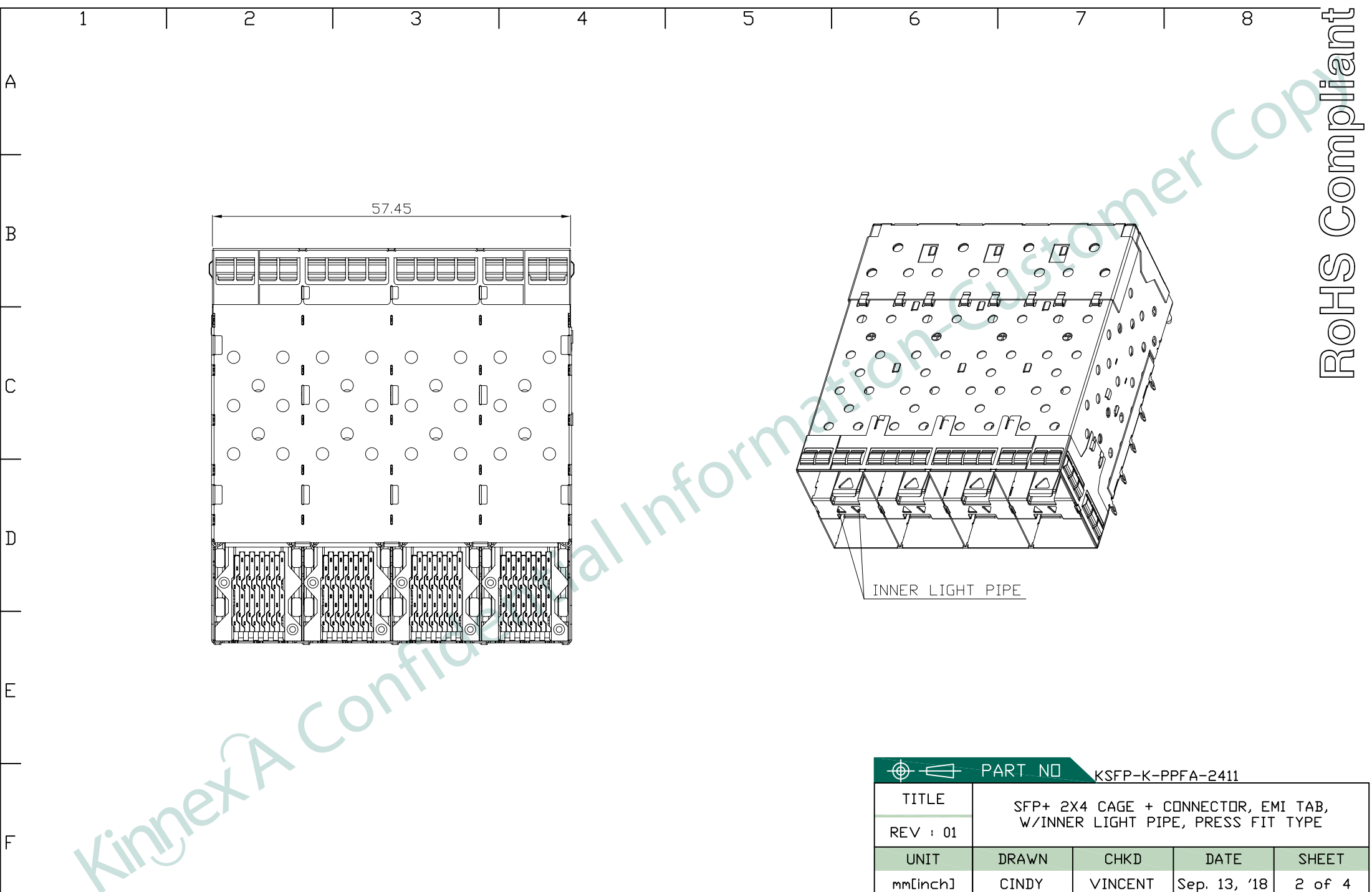
- MATERIAL:
  - CAGE: T=0.25mm COPPER ALLOY
  - CONNECTOR HOUSING: GLASS FILLED THERMOPLASTIC, UL94V-0, COLOR-BLACK
  - TERMINALS: PHOSPHOR BRONZE
  - LIGHT PIPE: POLYCARBONATE, CLEAR, UL94V-0
  - LIGHT PIPE HOUSING: PA46, COLOR-BLACK, UL94V-0
- FINISH:
  - TERMINALS CONTACT AREA: GOLD PLATING
  - SOLDER TERMINAL AREA: TIN PLATING
- UNSPECIFIED TOLERANCE: .XXX ±0.10  
.XX ±0.25

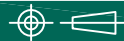


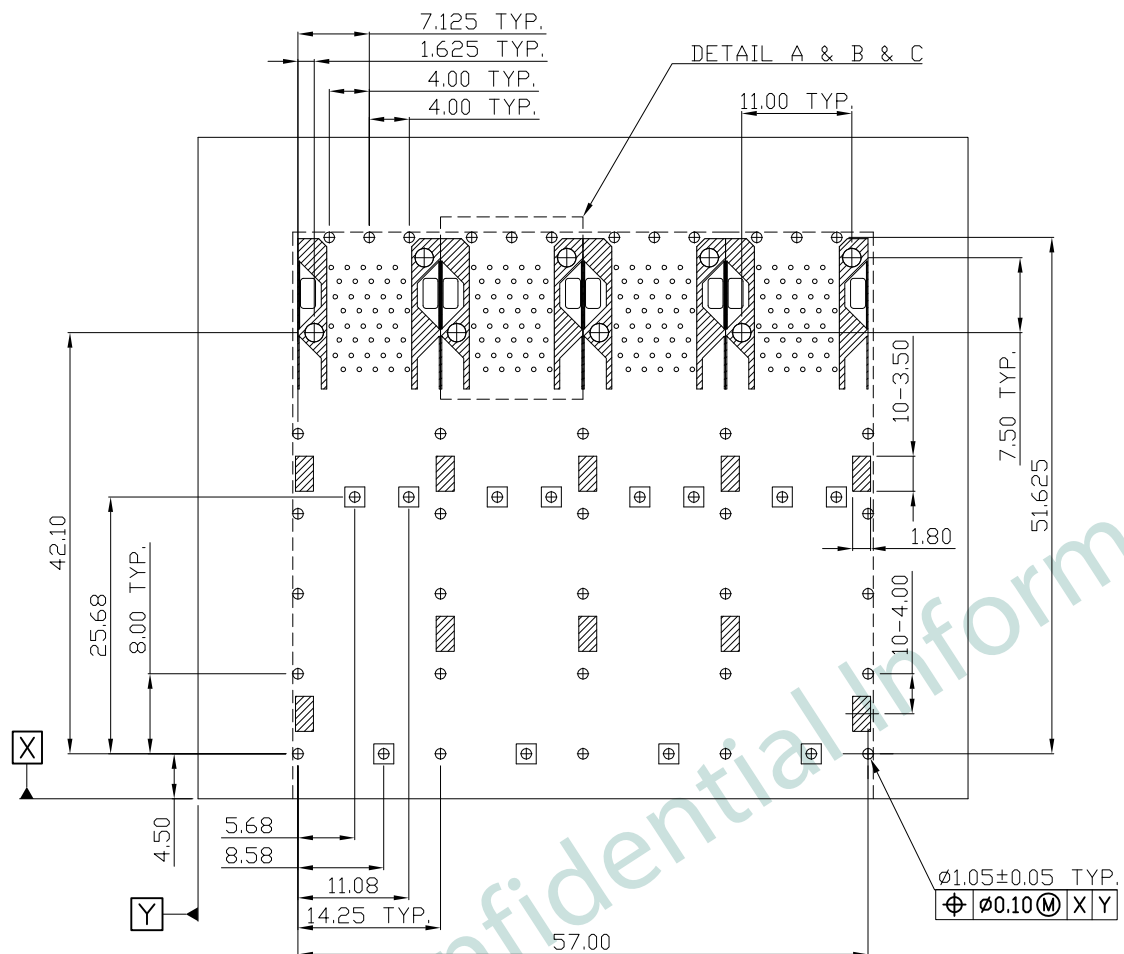
KSFP-K-PPFA-2411



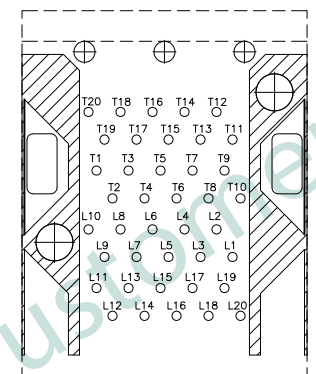
PART NO		KSFP-K-PPFA-2411		
TITLE	SFP+ 2X4 CAGE + CONNECTOR, EMI TAB, W/INNER LIGHT PIPE, PRESS FIT TYPE			
REV : 01				
UNIT	DRAWN	CHKD	DATE	SHEET
mm[inch]	CINDY	VINCENT	Sep. 13, '18	1 of 4



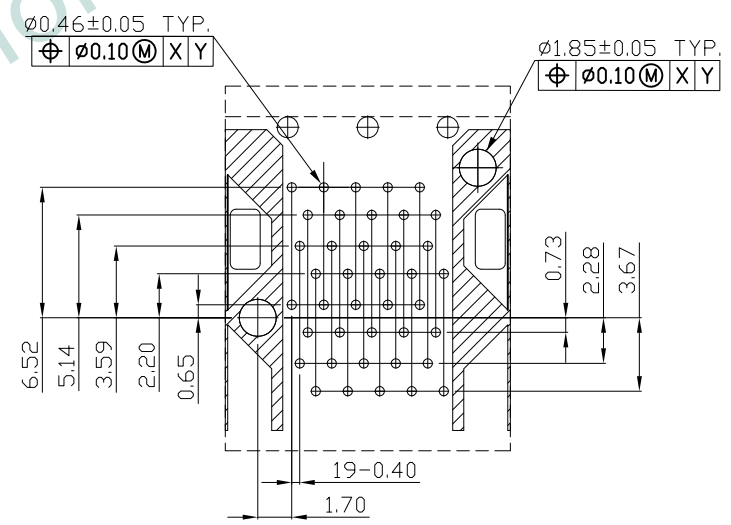
 PART NO		KSFP-K-PPFA-2411		
TITLE	SFP+ 2X4 CAGE + CONNECTOR, EMI TAB, W/INNER LIGHT PIPE, PRESS FIT TYPE			
REV : 01				
UNIT	DRAWN	CHKD	DATE	SHEET
mm[inch]	CINDY	VINCENT	Sep. 13, '18	2 of 4



RECOMMENDED PCB LAYOUT AND PCB TOLERANCE ±0.05

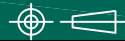


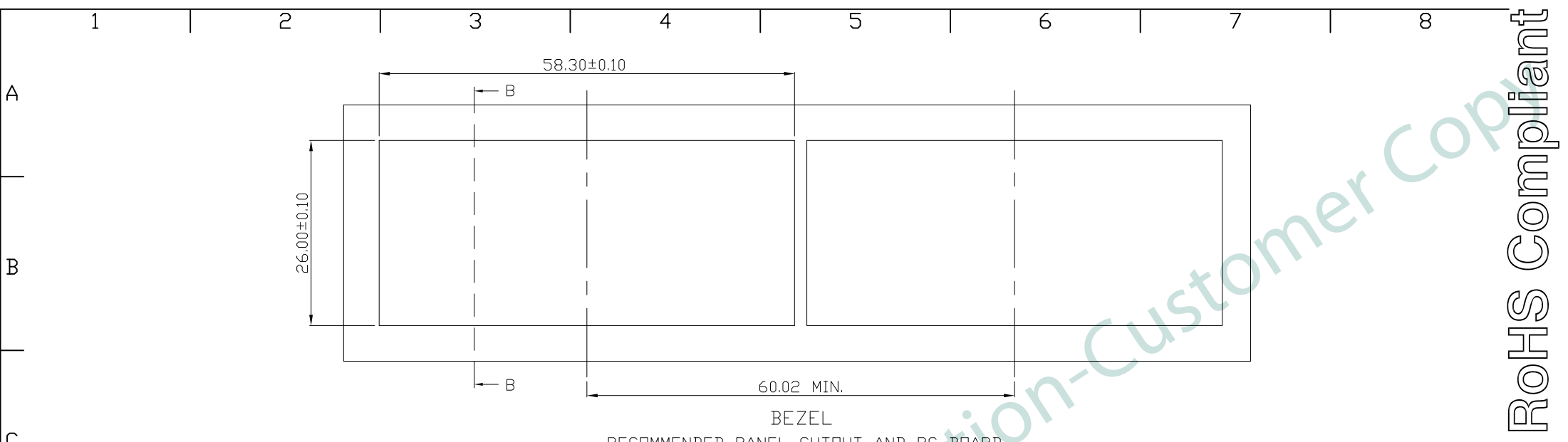
DETAIL A SCALE 2:1



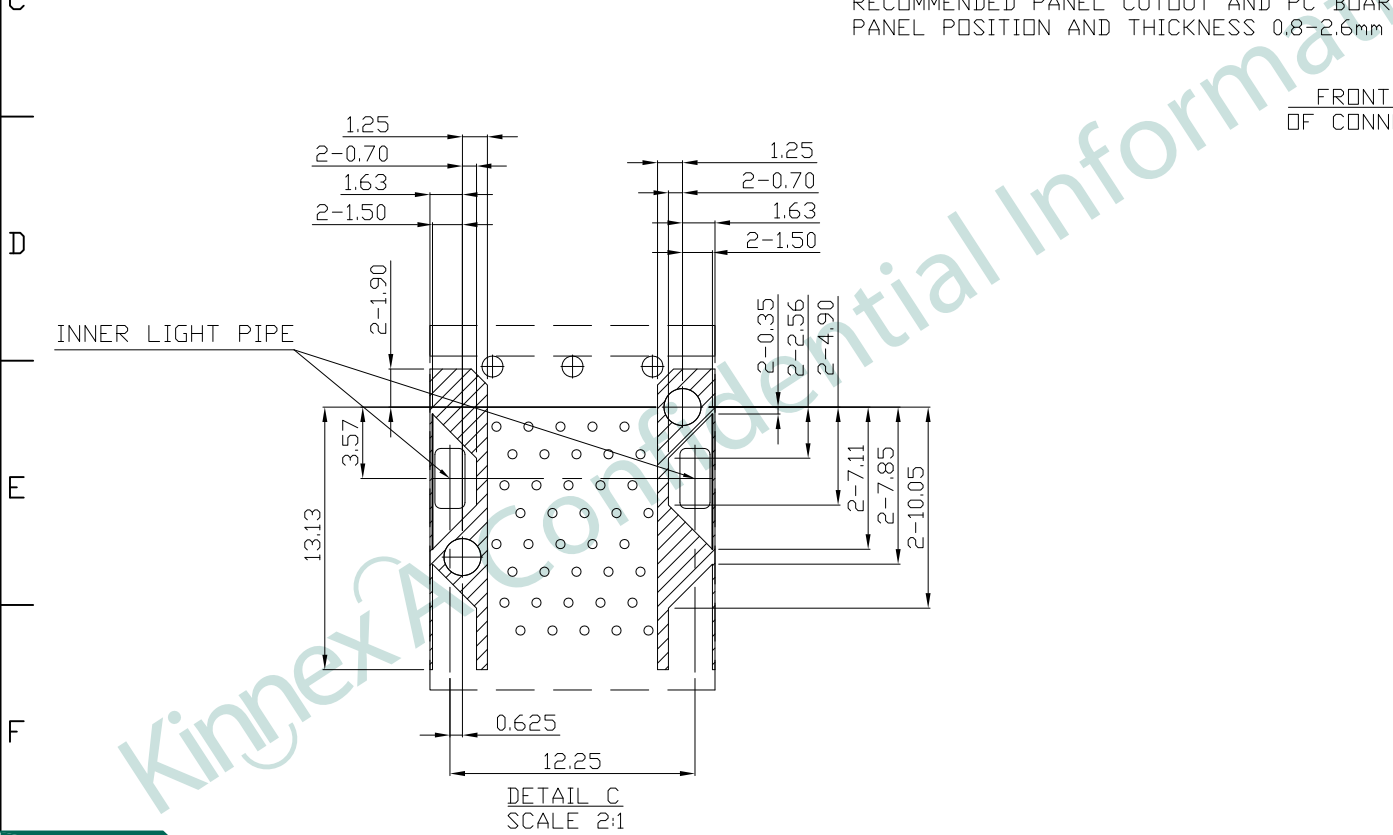
DETAIL B SCALE 2:1

NOTES:  
1. RECOMMENDED PCB THICKNESS: 2.36mm  
(MINIMUM PCB THICKNESS: 1.57mm)

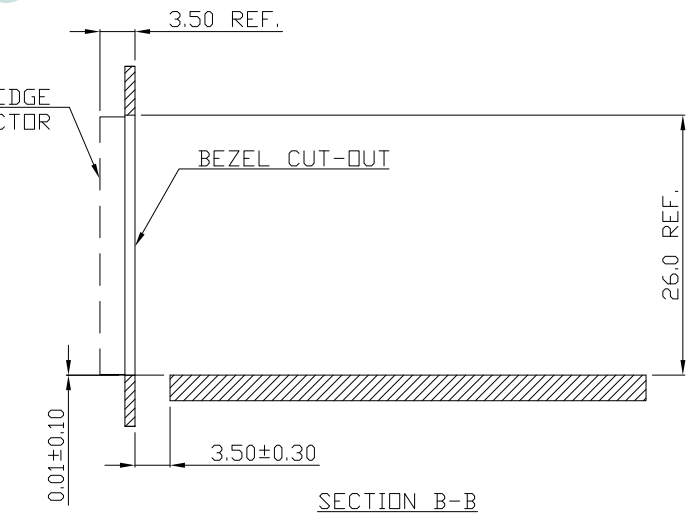
 PART NO. KSFP-K-PPFA-2411				
TITLE	SFP+ 2X4 CAGE + CONNECTOR, EMI TAB, W/INNER LIGHT PIPE, PRESS FIT TYPE			
REV : 01				
UNIT	DRAWN	CHKD	DATE	SHEET
mm[inch]	CINDY	VINCENT	Sep. 13, '18	3 of 4



BEZEL  
 RECOMMENDED PANEL CUTOUT AND PC BOARD  
 PANEL POSITION AND THICKNESS 0.8-2.6mm



DETAIL C  
 SCALE 2:1



SECTION B-B  
 BEZEL OPENING ABOVE  
 TOP OF PCB BOARD

PART NO KSFP-K-PPFA-2411				
TITLE	SFP+ 2X4 CAGE + CONNECTOR, EMI TAB, W/INNER LIGHT PIPE, PRESS FIT TYPE			
REV : 01				
UNIT	DRAWN	CHKD	DATE	SHEET
mm[inch]	CINDY	VINCENT	Sep. 13, '18	4 of 4