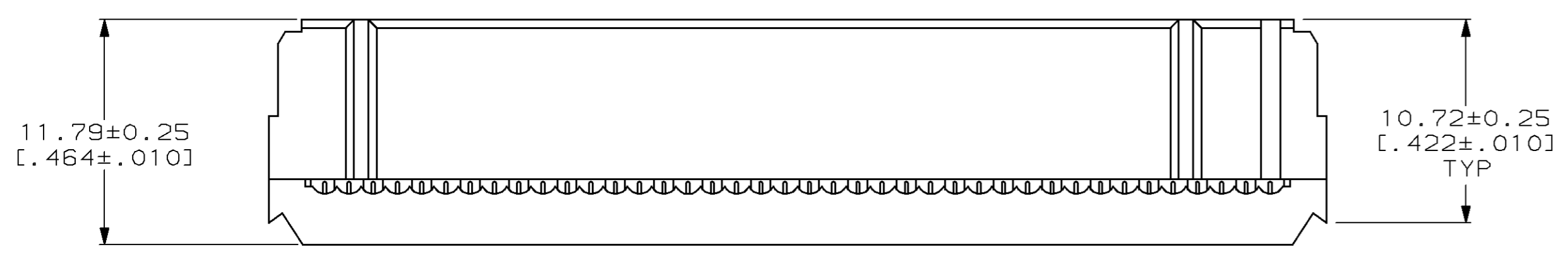
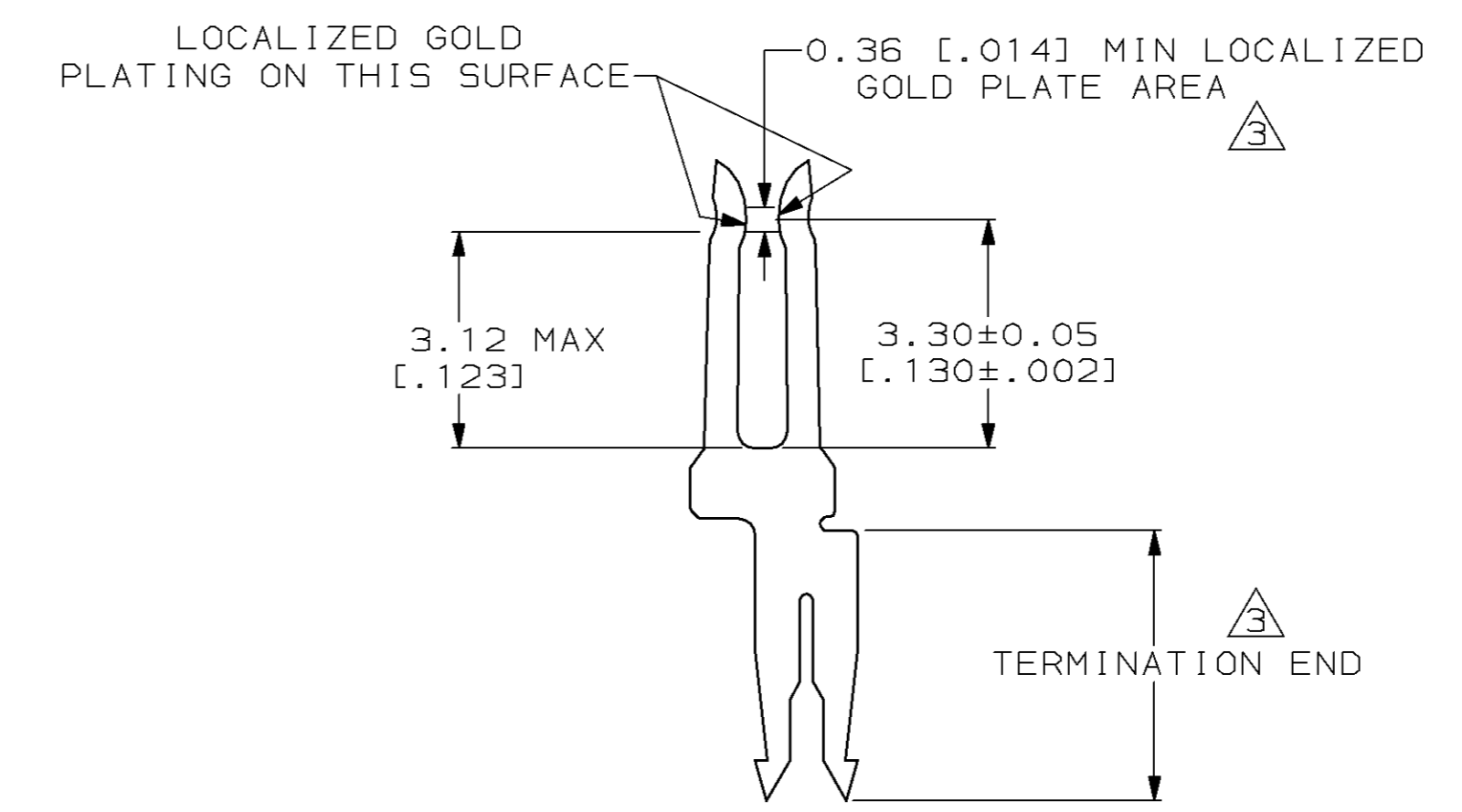


LOC		DIST		REV		REVISIONS		
AR	35	P	F	ZONE	LTR	DESCRIPTION	DATE	APPD
				0		RLSE PER NPR 4310 WAS 92-5730-2	8-14-92	-
				A		REV PER EC 0020-1041-93	12/03/93	JS

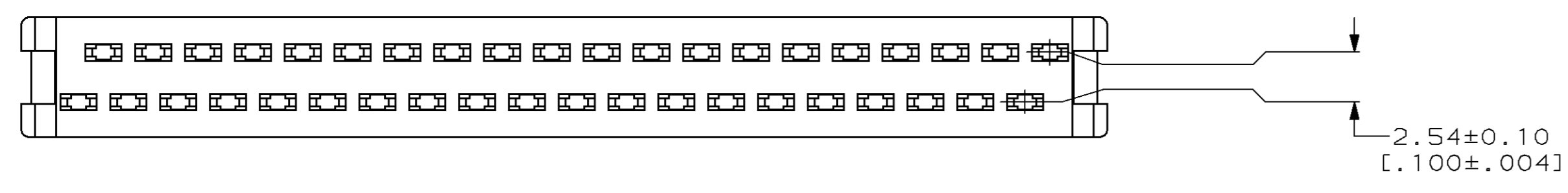
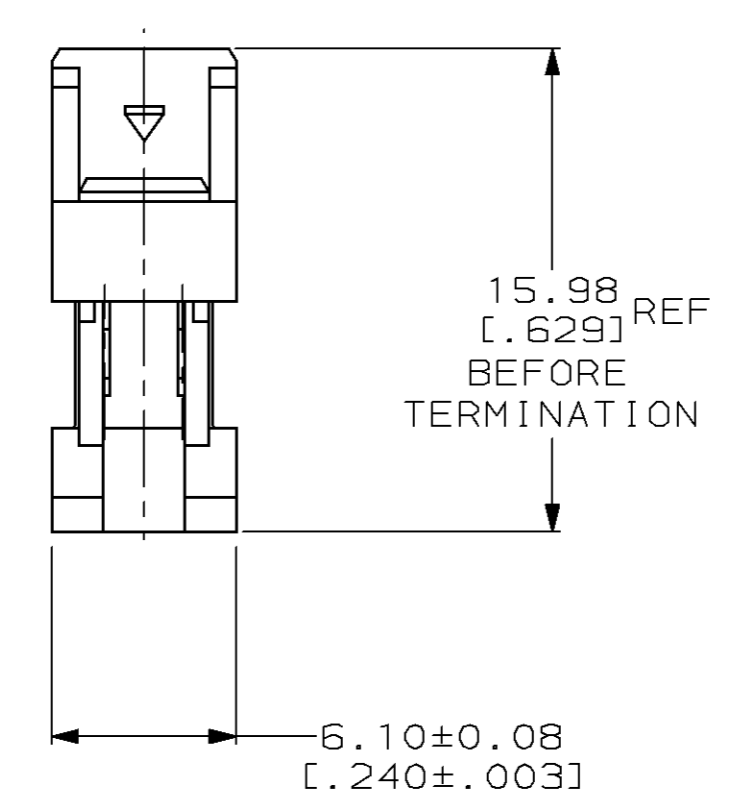
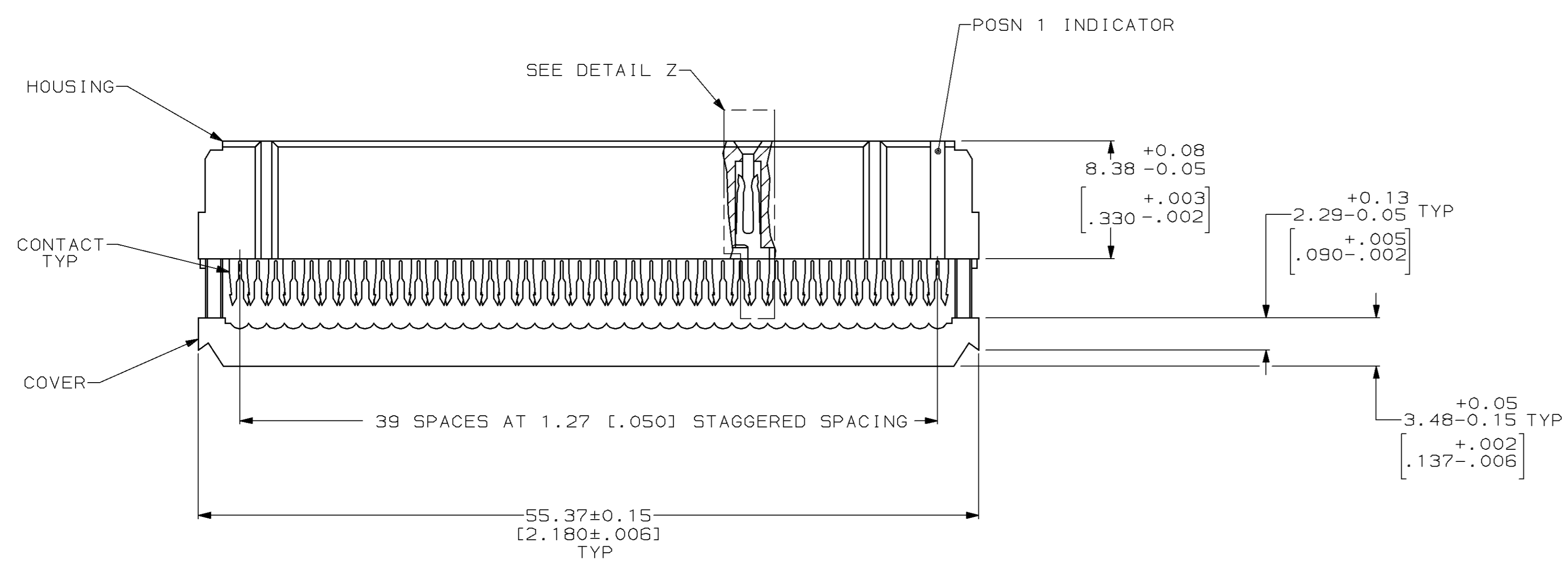
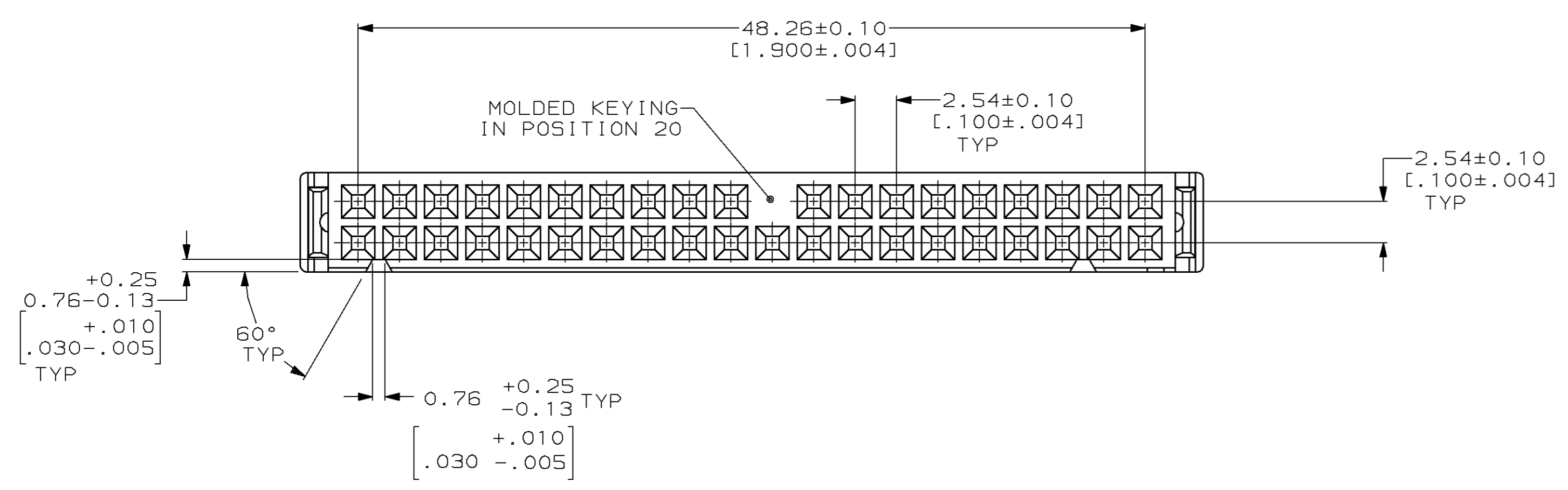


TERMINATED VIEW

- 1 POLYESTER PBT, BLACK, UL RATED 94V-1 OR BETTER.
- 2 PHOSPHOR BRONZE PER QQ-B-750.
- 3 0.38µm [.000015] MIN GOLD ON LOCALIZED GOLD PLATE AREA, 2.54µm [.000100] MIN TIN-LEAD ON TERMINATION END, ALL OVER 1.27µm [.000050] MIN NICKEL ON ENTIRE CONTACT.



DETAIL Z
SCALE 10:1
TYPICAL



THIS DRAWING IS A CONTROLLED DOCUMENT FOR AMP INCORPORATED. IT IS SUBJECT TO CHANGE AND THE CONTROLLING ENGINEERING ORGANIZATION SHOULD BE CONTACTED FOR THE LATEST REVISION.

DO NOT SCALE PRINT. UNLESS SPECIFIED DIMENSIONS IN mm [INCHES]		DR 8-14-92 H MOLL		40 NO OF POSN		111655-1 PART NO	
TOLERANCES ON: 2 PLC DEC ±0.13[.005] 3 PLC DEC ± - ANGLES ± 4°		CHK 8-17-92 R STONE		AMP		AMP Incorporated Harrisburg, PA 17105-3608	
MATERIAL HOUSING & COVER: 1 CONTACTS: 2		APPD 8-17-92 J STINE		NAME		RECEPTACLE ASSY, MILITARY POLARIZATION, NOV0, AMP-LATCH™	
FINISH CONTACTS: 3		APPD 8-17-92 D HOFFMAN		PRODUCT SPEC 108-40000		SIZE D 00779 C= 111655	
		APPLICATION SPEC 114-40005		SCALE 4:1		DRAWING NO 111655	
		WEIGHT -				SHEET 1 OF 1	