

## Electronic housing - EG 45-A/ABS GN - 2764179

Please be informed that the data shown in this PDF Document is generated from our Online Catalog. Please find the complete data in the user's documentation. Our General Terms of Use for Downloads are valid (<http://download.phoenixcontact.com>)

Housing cover, for connection on both sides




Illustration shows a fully mounted version of the electronic housing

### Product Features

- Tool-free mounting
- Date of manufacture and material and part identification embossed on the housing (recyclability)
- Fast snap-on mounting on symmetrical DIN rails according to EN 60715
- Practical and easy-to-wire conductor connection using extra finely stranded sturdy screw terminal blocks up to 2.5 mm<sup>2</sup>
- Optimum accommodation of electronic components with graded pitches with a design width of 22.5 mm, 45 mm, 67.5 mm, and 90 mm
- Functional and industry-oriented housing technology
- Shock and contamination-proof accommodation of electronic components (IP40 housing, IP20 terminal blocks)



### Key commercial data

Packing unit	1 PCE
Minimum order quantity	10 PCE
GTIN	 4 017918 065881
Custom tariff number	85369010
Country of origin	GERMANY

### Technical data

#### General

Housing type	Upper part
Housing material	Acryl butadiene styrene (ABS)
Color	green

# Electronic housing - EG 45-A/ABS GN - 2764179

## Technical data

### Dimensions

Length	75 mm
Constructional height	17.5 mm
Width	45 mm

### Technical data

Ambient temperature (operation)	80 °C
Inflammability class according to UL 94	HB
Number of positions	16

## Classifications

### ETIM

ETIM 2.0	EC001031
ETIM 3.0	EC001031
ETIM 4.0	EC001031
ETIM 5.0	EC000886

### UNSPSC

UNSPSC 11	31261501
UNSPSC 12.01	31261501
UNSPSC 13.2	31261501
UNSPSC 6.01	31261501
UNSPSC 7.0901	31261501

### eCl@ss

eCl@ss 4.0	27180401
eCl@ss 4.1	27180401
eCl@ss 5.0	27180506
eCl@ss 5.1	27180506
eCl@ss 6.0	27180802
eCl@ss 7.0	27182702

## Approvals

### Approvals

---

Approvals

UL Recognized

## Electronic housing - EG 45-A/ABS GN - 2764179

### Approvals

---


Ex Approvals

---

Approvals submitted

---

### Approval details

UL Recognized 

### Accessories

Accessories

Assembly

Printed-circuit board connector - FKCT 2,5/ 8-ST - 1909278



Plug component, Nominal current: 12 A, Rated voltage (III/2): 320 V, Number of positions: 8, Pitch: 5 mm, Connection method: Spring-cage conn., Color: green, Contact surface: Tin

### Plug/Adapter

Plug - MVSTBW 2,5/ 8-STEH - 1784309

Plug component, Nominal current: 12 A, Rated voltage (III/2): 320 V, Number of positions: 8, Pitch: 5 mm, Connection method: Screw connection, Color: green, Contact surface: Tin

Printed-circuit board connector - MVSTBW 2,5/ 8-ST - 1792582



Plug component, Nominal current: 12 A, Rated voltage (III/2): 320 V, Number of positions: 8, Pitch: 5 mm, Connection method: Screw connection, Color: green, Contact surface: Tin

## Electronic housing - EG 45-A/ABS GN - 2764179

### Accessories

#### Printed-circuit board connector - MVSTBW 2,5/ 8-ST-5,08 - 1792812



Plug component, Nominal current: 12 A, Rated voltage (III/2): 320 V, Number of positions: 8, Pitch: 5.08 mm, Connection method: Screw connection, Color: green, Contact surface: Tin

#### Printed-circuit board connector - FKCT 2,5/ 8-ST-5,08 - 1902178



Plug component, Nominal current: 12 A, Rated voltage (III/2): 320 V, Number of positions: 8, Pitch: 5.08 mm, Connection method: Spring-cage conn., Color: green, Contact surface: Tin

#### PCB terminal block base - MKKDSH 3/ 2 - 1721045



PCB terminal block, Nominal current: 24 A, Nom. voltage: 400 V, Pitch: 5 mm, Number of positions: 2, Connection method: Screw connection, Mounting: Soldering, Conductor/PCB connection direction: 0 °, Color: green, The article can be aligned to create different nos. of positions!

#### PCB terminal block - MKKDSH 3/ 3 - 1721346



PCB terminal block, Nominal current: 24 A, Nom. voltage: 400 V, Pitch: 5 mm, Number of positions: 3, Connection method: Screw connection, Mounting: Soldering, Conductor/PCB connection direction: 0 °, Color: green, The article can be aligned to create different nos. of positions!

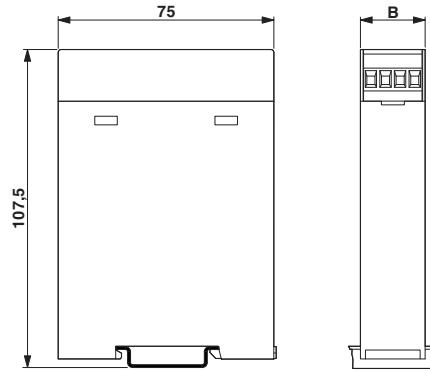
#### PCB terminal block base - MKKDSH 3/ 8 - 1703283

PCB terminal block, Nominal current: 24 A, Nom. voltage: 400 V, Pitch: 5 mm, Number of positions: 8, Connection method: Screw connection, Mounting: Soldering, Conductor/PCB connection direction: 0 °, Color: green, The article can be aligned to create different nos. of positions!

### Drawings

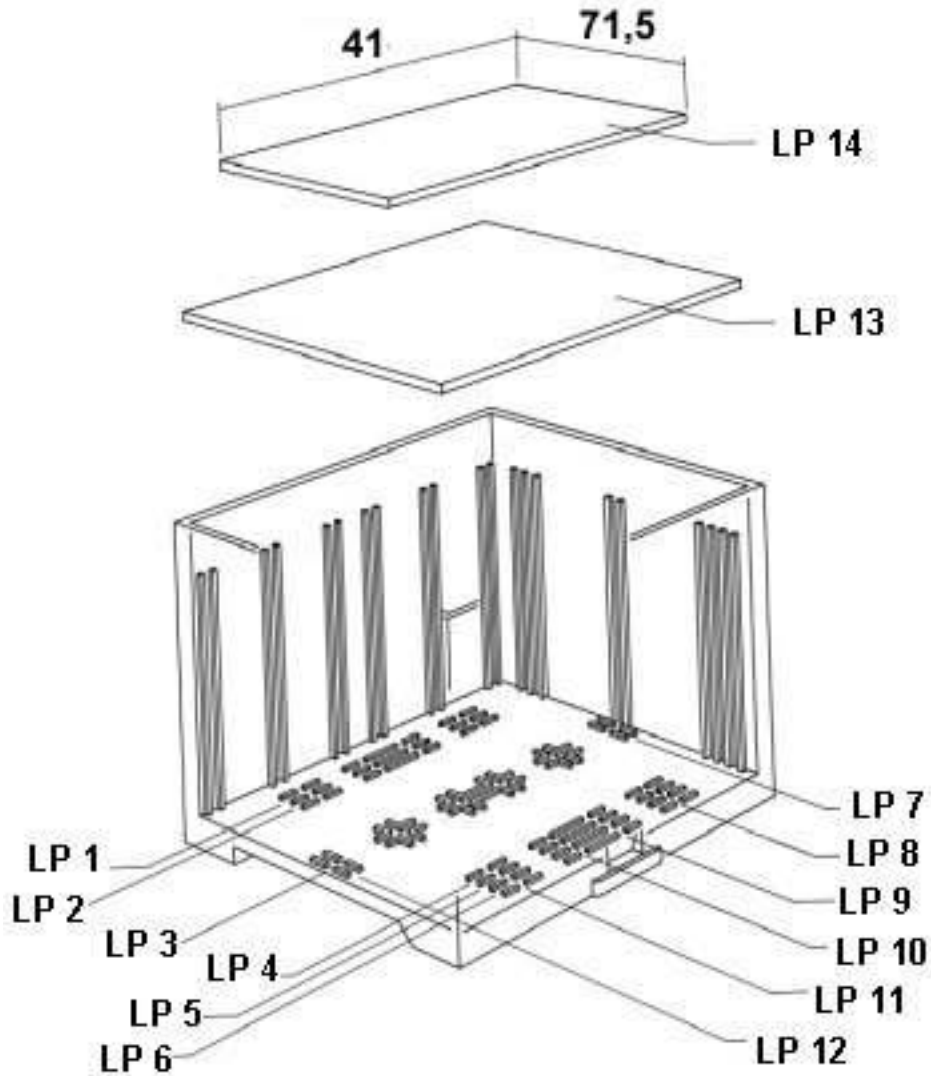
# Electronic housing - EG 45-A/ABS GN - 2764179

Dimensioned drawing



# Electronic housing - EG 45-A/ABS GN - 2764179

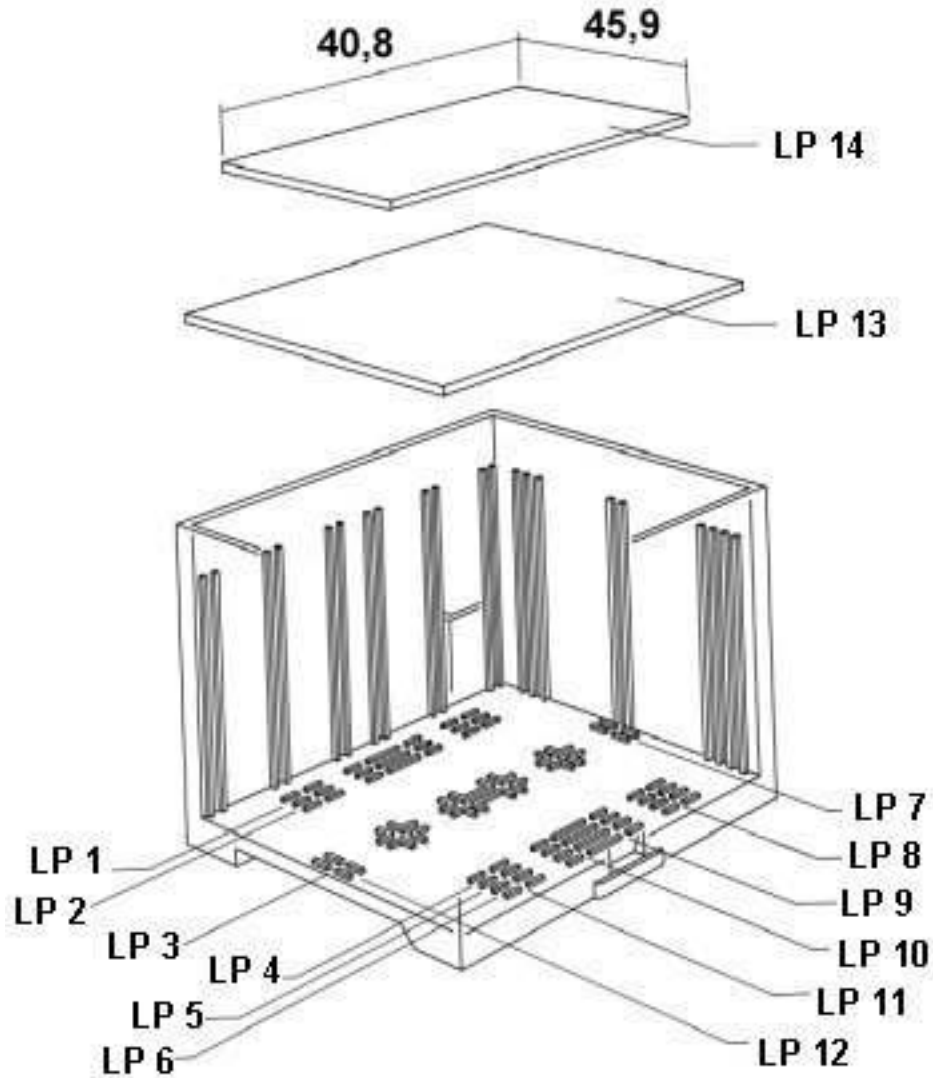
Explosion drawing



valid for PCB 13

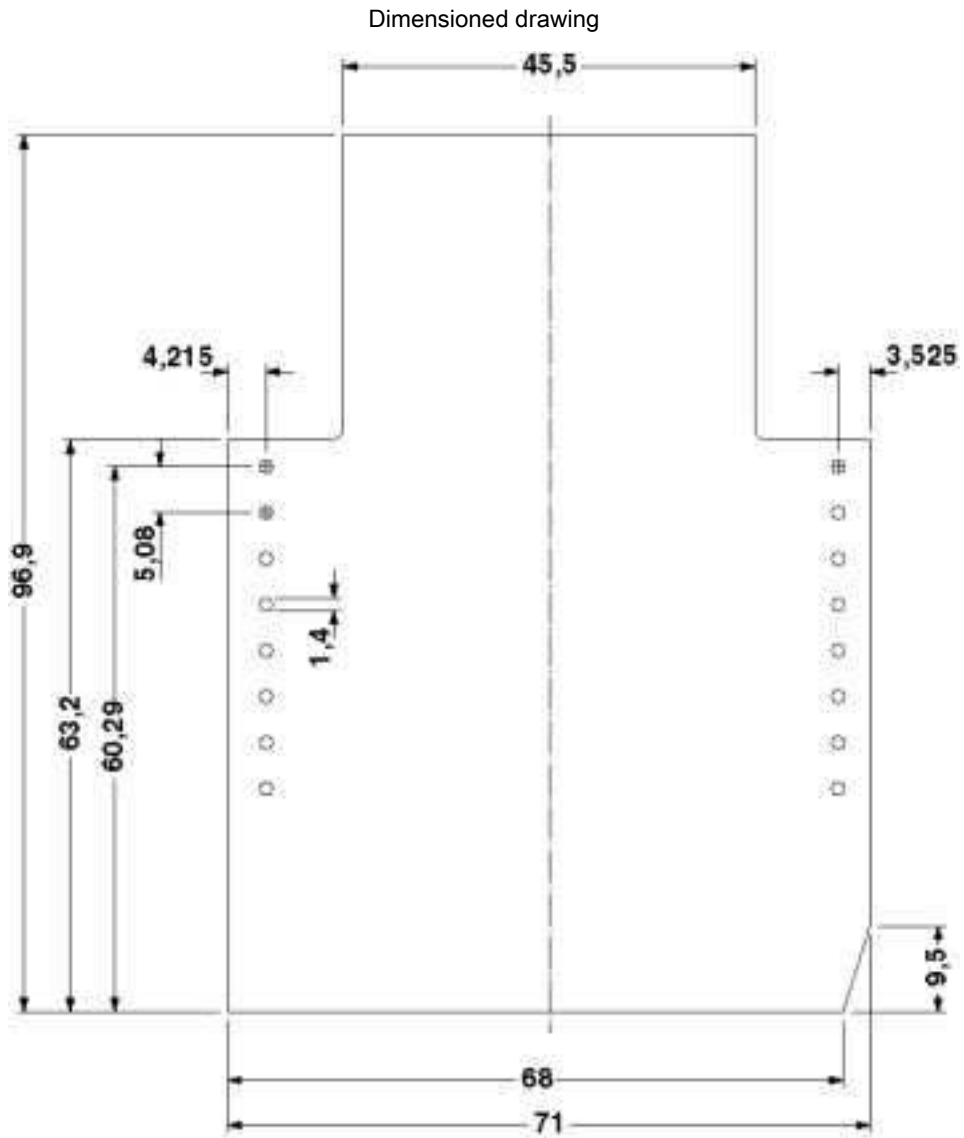
# Electronic housing - EG 45-A/ABS GN - 2764179

Explosion drawing



valid for PCB 14

# Electronic housing - EG 45-A/ABS GN - 2764179

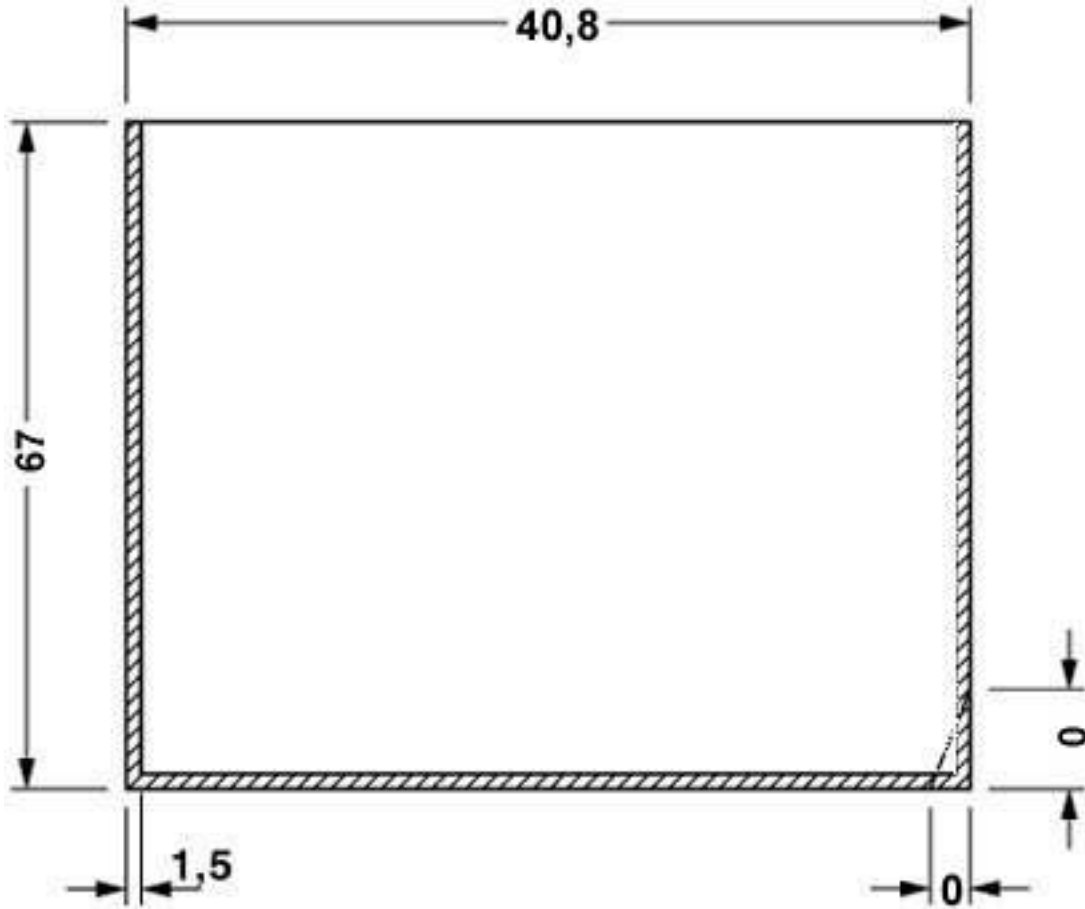


Component mounting side, if the double-level upper part is used



# Electronic housing - EG 45-A/ABS GN - 2764179

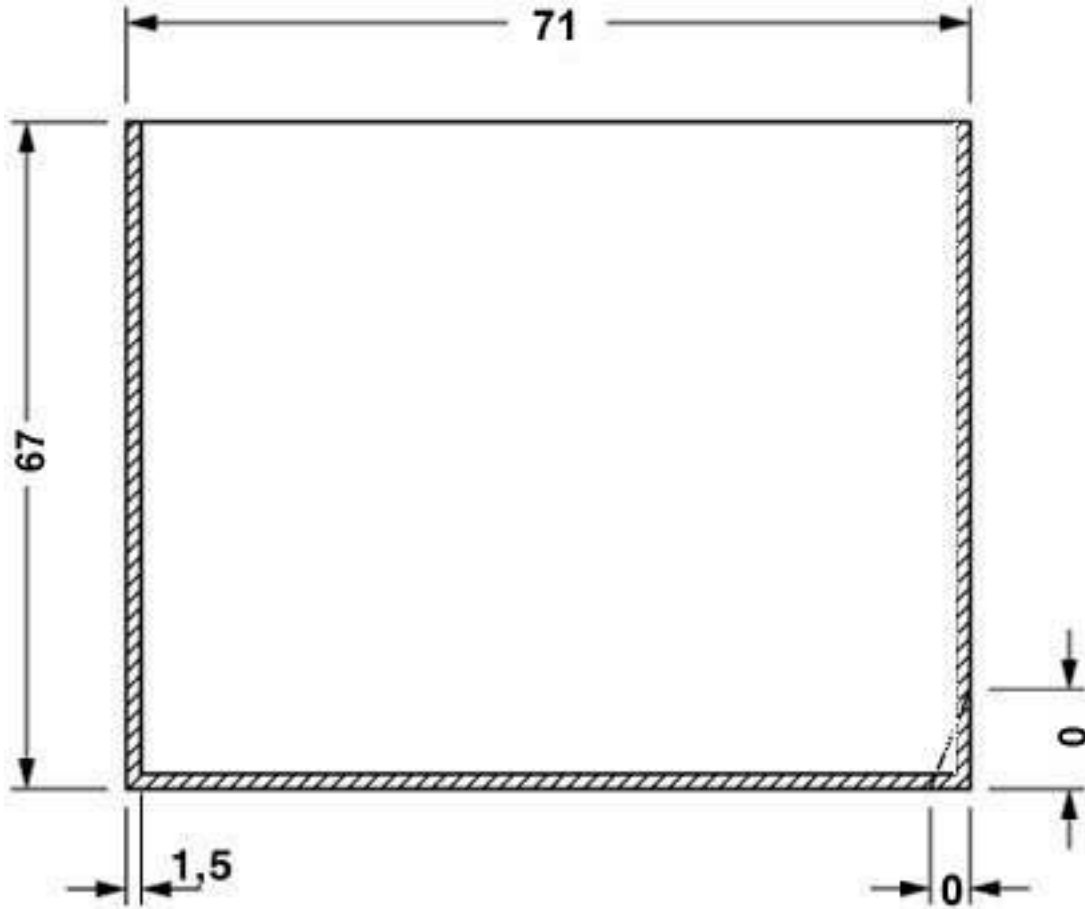
Dimensioned drawing



valid for PCB 1; 3; 5 and 6, see explosion drawing

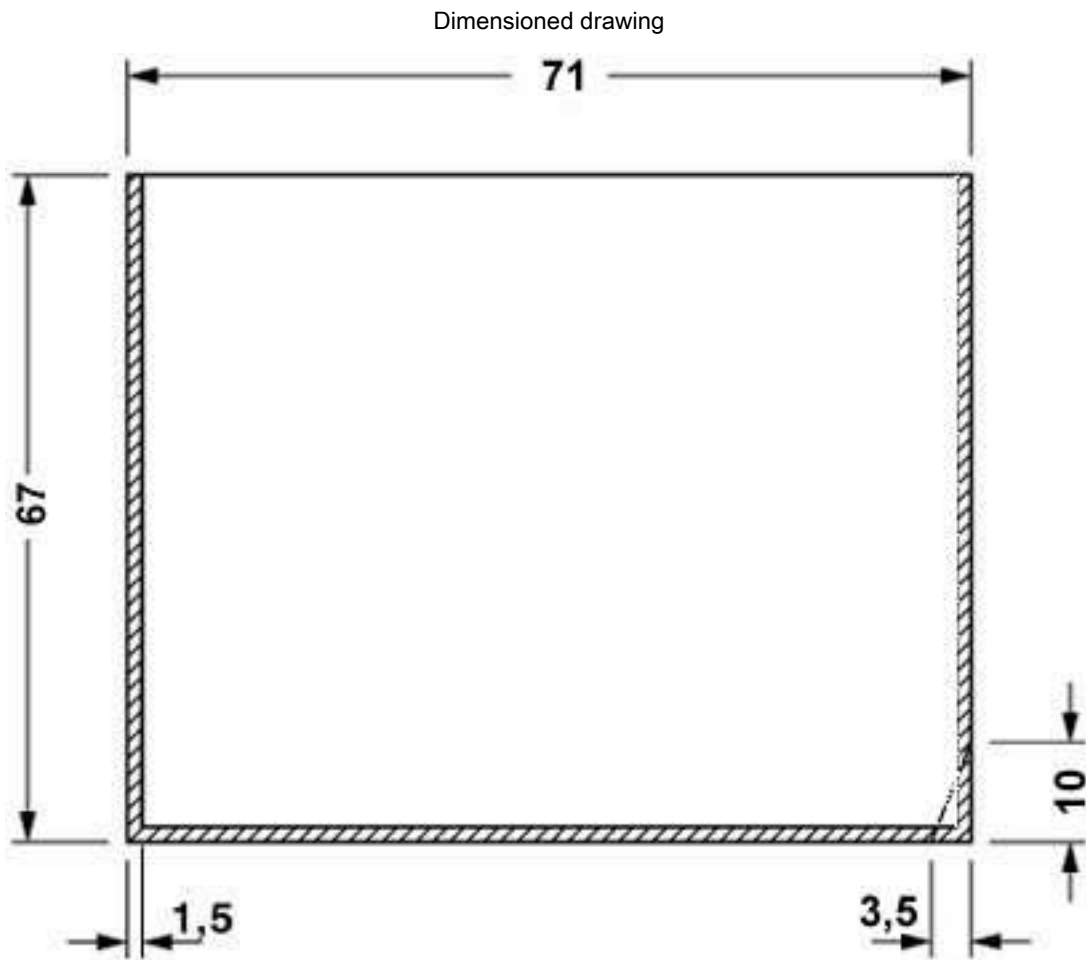
# Electronic housing - EG 45-A/ABS GN - 2764179

Dimensioned drawing



valid for PCB 7 and 12, see explosion drawing

## Electronic housing - EG 45-A/ABS GN - 2764179



valid for PCB 10, see explosion drawing