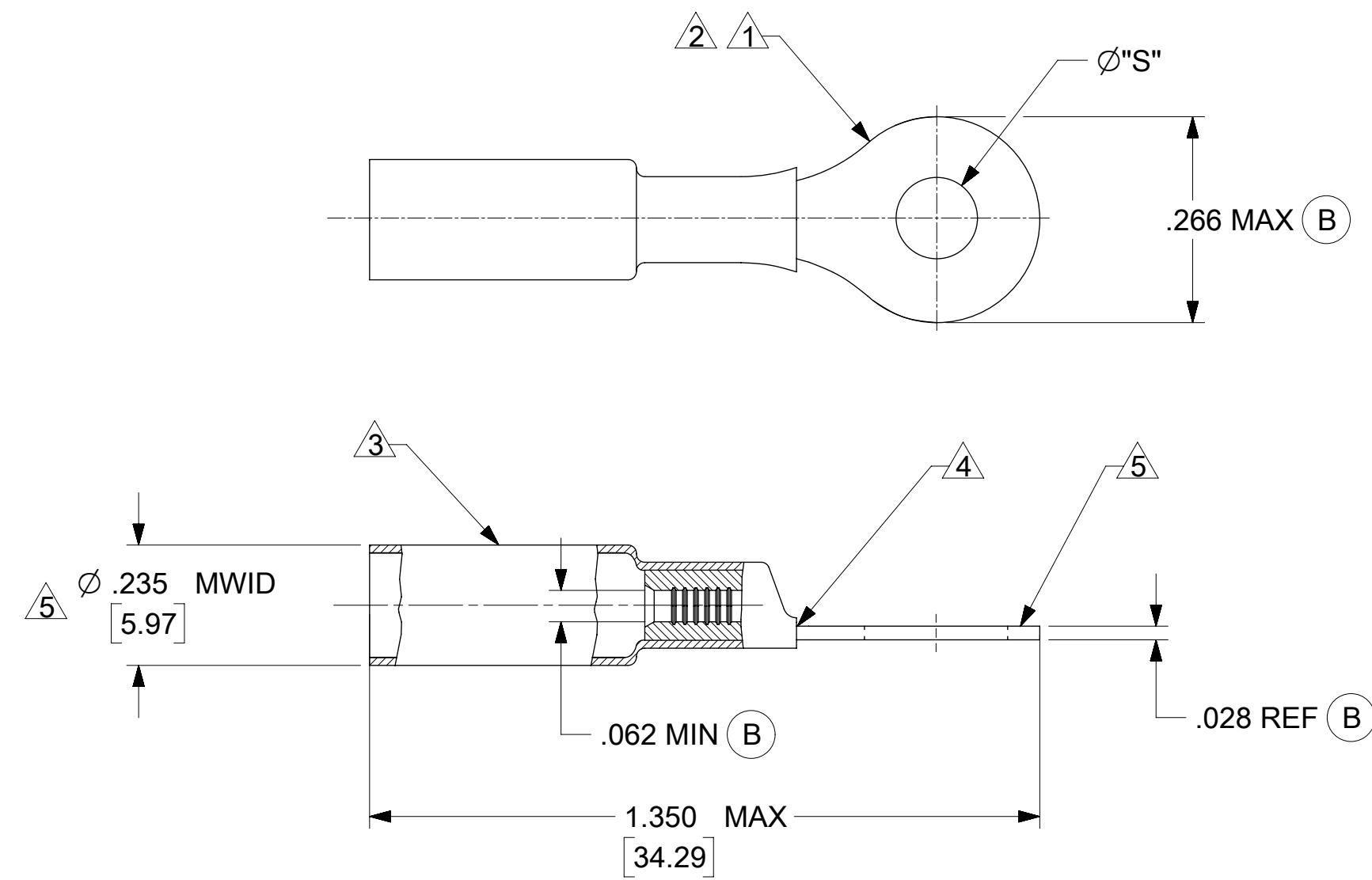


MATERIAL NO.	ENGINEERING NO.	STUD SIZE	"S"
190440283	SA-232-04	4	.119±.005 / [3.02±0.03]

(B)



- (B) NOTE:
- 1. TERMINAL MATERIAL: COPPER ALLOY
 - 2. FINISH: ELECTRO TIN PLATE.
 - 3. INSULATION MATERIAL: HEAT SHRINKABLE TUBING WITH HOTMELT ADHESIVE INNER LINER. COLOR: RED
 - 4. TUBING SHALL BE PINCHED CLOSED AS MUCH AS POSSIBLE AS SHOWN.
 - 5. MWID = MAXIMUM WIRE INSULATION DIAMETER
6. PARTS ARE RoHS COMPLIANT.

THIS DRAWING CONTAINS INFORMATION THAT IS PROPRIETARY TO MOLEX ELECTRONIC TECHNOLOGIES, LLC AND SHOULD NOT BE USED WITHOUT WRITTEN PERMISSION									
SYMBOLS		DIMENSION UNITS		SCALE		CURRENT REV DESC: REVISED AND REMASTERING IN ECTR			
▽ = 0		INCH/MM		NTS		<p>EC NO: 632188</p> <p>DRWN: KSUTAR 2020/02/14</p> <p>CHK'D: JMACNEIL 2020/02/20</p> <p>APPR: JMACNEIL 2020/02/20</p>			
▽ = 0									
▽ = 0		GENERAL TOLERANCES (UNLESS SPECIFIED)				<p>INITIAL REVISION:</p> <p>DRWN: ASAYDEH 2005/12/21</p> <p>APPR: JPAWLICK 2005/12/21</p>			
▽ = 0		ANGULAR TOL ± °							
▽ = 0		4 PLACES ±				<p>PRODUCT CUSTOMER DRAWING</p> <p>DOCUMENT NUMBER: SD-19164-050</p> <p>DOC TYPE: PSD</p> <p>DOC PART: 001</p> <p>REVISION: B</p>			
▽ = 0		3 PLACES ±							
▽ = 0		2 PLACES ±				<p>MATERIAL NUMBER: SEE TABLE</p> <p>CUSTOMER: GENERAL MARKET</p> <p>SHEET NUMBER: 1 OF 1</p>			
▽ = 0		1 PLACE ±							
▽ = 0		0 PLACES ±							
▽ = 0		DRAFT WHERE APPLICABLE MUST REMAIN WITHIN DIMENSIONS		THIRD ANGLE PROJECTION		DRAWING		SERIES	
▽ = 0				C-SIZE		19164			

DOCUMENT STATUS	P1	RELEASE DATE	2020/02/20	14:52:14
-----------------	----	--------------	------------	----------