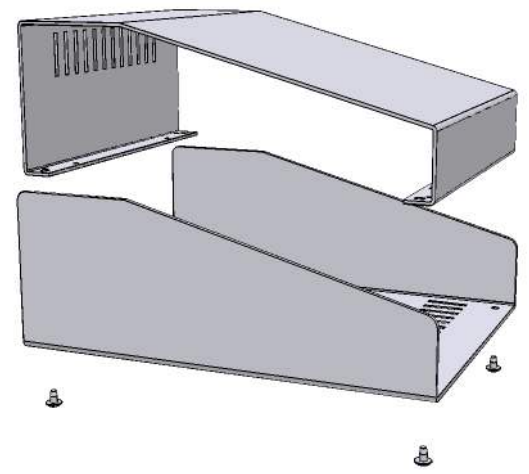
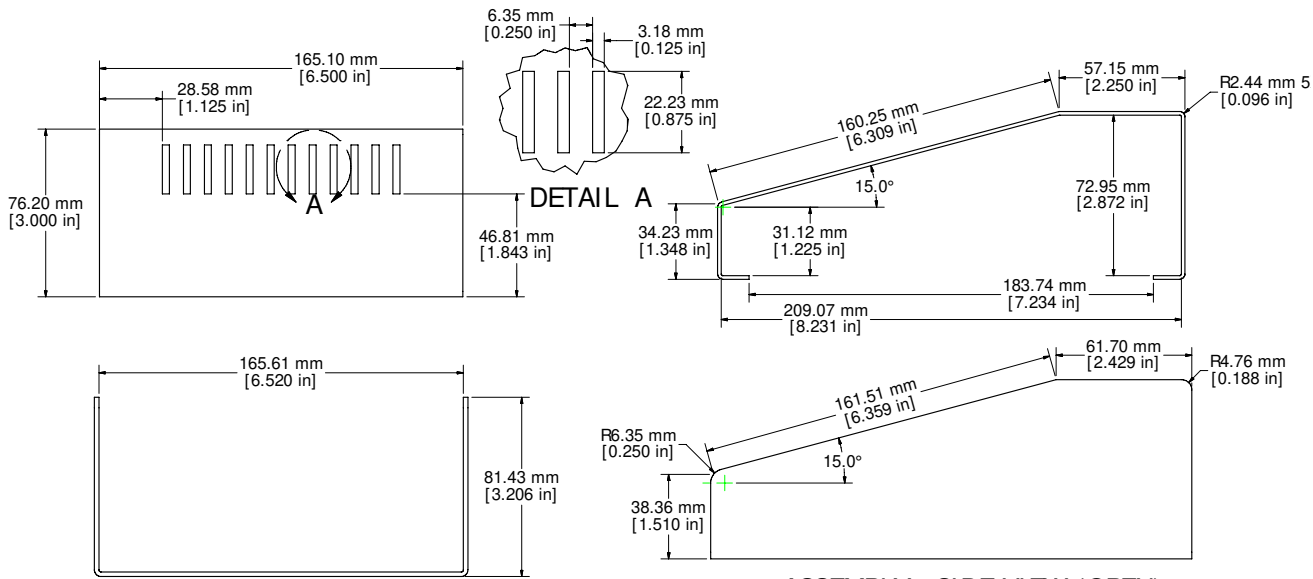
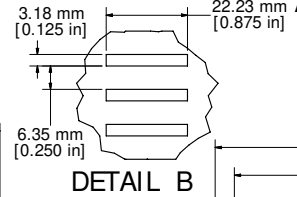


8 7 6 5 4 3 2 1

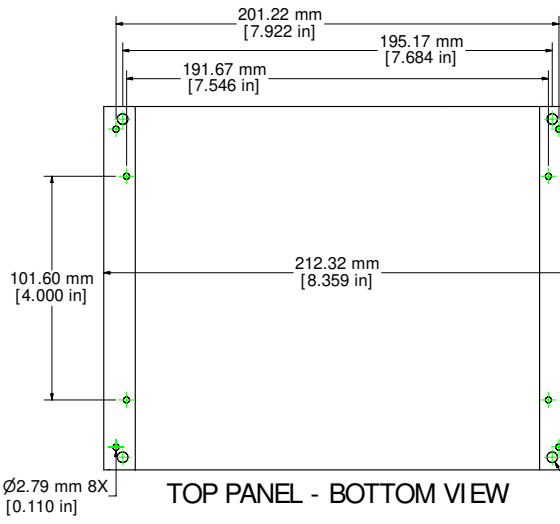


ASSEMBLY - REAR VIEW (OPEN)

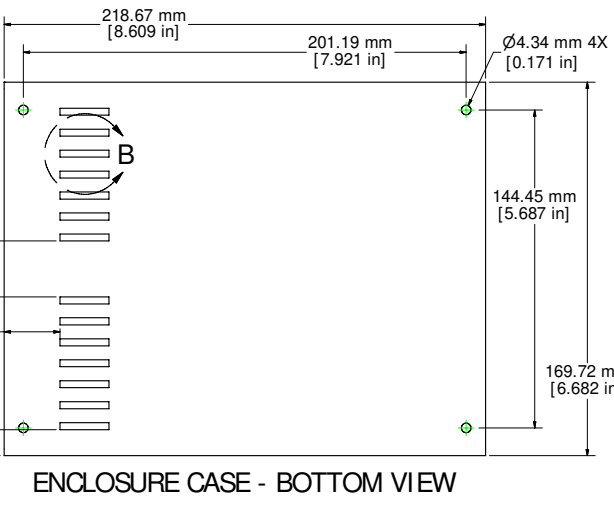
ASSEMBLY - SIDE VIEW (OPEN)



DETAIL B



TOP PANEL - BOTTOM VIEW



ENCLOSURE CASE - BOTTOM VIEW

Enclosures can be Factory Modified ( Milling, Drilling, Printing etc. )  
 Contact Factory [mjm@hammondmfg.com](mailto:mjm@hammondmfg.com) for quotes  
 Solid models of this enclosure available in STEP or IGES.

<b>1456FH3</b>
<b>Beige Top, Blue Case - 1456FH3WHBU</b>
<b>Black Top, Blue Case - 1456FH3BKBU</b>
Enclosure Case - 12 ga. Aluminum
Top Panel Sizes to 14" Wide - 14 ga. Aluminum
Self Adhesive Rubber Feet Included
Required Hardware Included
Replacement Screws - 1421-J6 (6 pcs.)



8 7 6 5 4 3 2 1