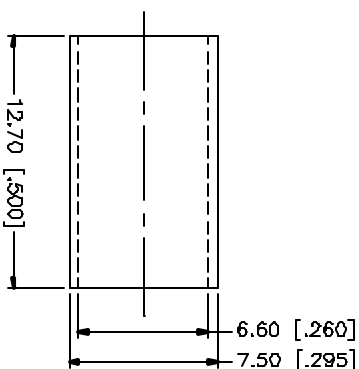
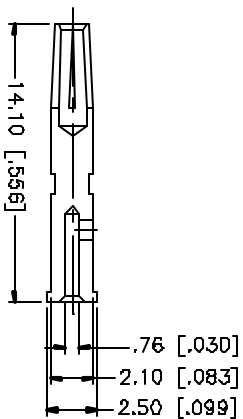
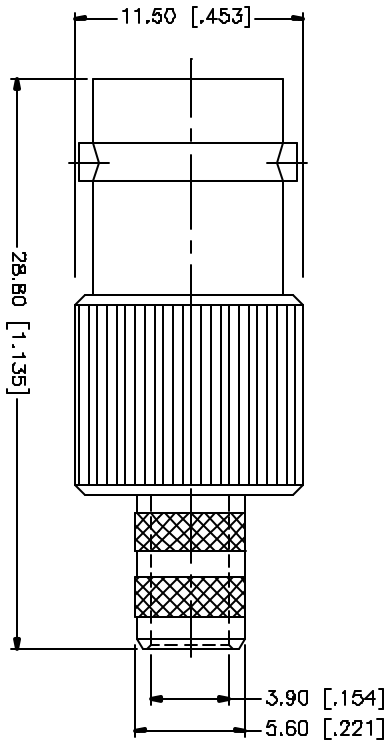
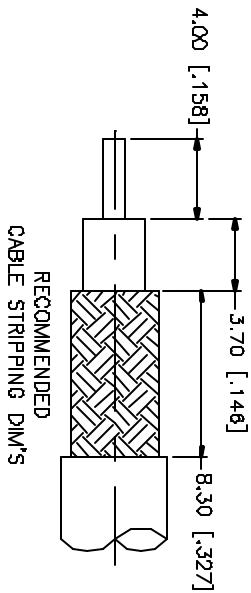


| REV. | DATE     | DESCRIPTION     |
|------|----------|-----------------|
| NC   | 05/12/05 | INITIAL RELEASE |



NOTE:

1. CRIMPED FERRULE  
HEX CRIMP SIZE .213"
2. CRIMPED CONTACT PIN  
HEX CRIMP SIZE .068"

| REV. | DATE | DESCRIPTION |
|------|------|-------------|
| 8    |      |             |
| 7    |      |             |
| 6    |      |             |
| 5    |      |             |
| 4    |      |             |
| 3    |      |             |
| 2    |      |             |
| 1    |      |             |

| DESCRIPTION | MATERIAL    | FINISH       | QTY |
|-------------|-------------|--------------|-----|
| 1           | BRASS       | NICKEL       | 1   |
| 2           | INSULATOR   | TEFLON       | 1   |
| 3           | CONTACT PIN | PHOS. BRONZE | 1   |
| 4           | FERRULE     | BRASS        | 1   |
| 5           |             |              |     |
| 6           |             |              |     |
| 7           |             |              |     |
| 8           |             |              |     |

| APPROVALS    | DATE     |
|--------------|----------|
| DRWN G.R.S.  | 05/12/05 |
| CHECKED      |          |
| DESIGNED     |          |
| SHEET 1 OF 1 |          |

| PART DESCRIPTION                             | DWG. NO.   | REV. | SIZE | SCALE |
|--|------------|------|------|-------|
| BNC CRIMP JACK<br>(FOR RG-59/U CABLE) 50ohms | 112146.DWG | NC   | A    | NA    |

| DO NOT SCALE DRAWING   |
|--|
| <p>JANUS STRIPPING SPECIFICATIONS ARE IN MILLIMETERS UNLESS NOTED IN [ ] ARE IN INCHES AND FOR DIMENSIONS UNLESS NOTED OTHERWISE FOR MILLIMETERS AND</p> <p>JANUS STRIPPING SPECIFICATIONS FOR MILLIMETERS ARE:</p> <p>0.5 - 8mm ± 0.20mm<br/>8 - 30mm ± 0.40mm<br/>30 - 120mm ± 0.50mm</p> <p>JANUS STRIPPING SPECIFICATIONS FOR INCHES ARE:</p> <p>.020 - .315 = ± 0.001"<br/>.315 - 1.180 = ± 0.015"<br/>1.180 - 4.724 = ± 0.020"</p> |

**Amphenol** **Connex**