

## MLE60-24DC

### Class 2 Electronic Class P Triac Dimmable

Outdoor Black Powder Coated Steel Enclosure

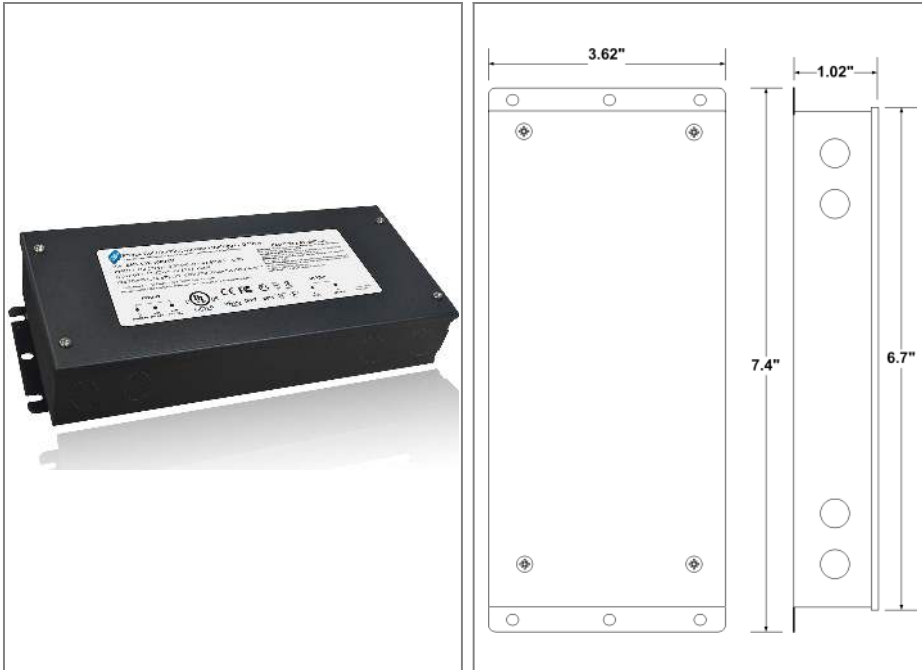
Single Circuit: **24VDC 450Hz**

Total Wattage: **60W max**

Input Voltage: **100-277V 50/60Hz**



Conforms to UL STD. 8750 and 1310  
Certified to CSA  
STD. C22.2 No 250.13  
model MLE60-24DC



### Transformer

PWM output. Dimmable with any ELV, MLV, CL, forward or reverse phase.

Input leads are 18AWG 600V

Output leads are 16AWG 300V

Leads max. operational temperature is 105°C

### Housing

The actual transformer 60W is encapsulated in the enclosure

The enclosure is Black Powder Coated Steel, with built-in class 2 wiring compartment, dry and damp location rated

Wiring compartment has 6 knockouts sizes for 3/8 inch screw cable connectors

Enclosure Temperature does not exceed 70°C at 45°C ambient and fully loaded

Dimensions (inch): H = 7.4, W = 3.62, D = 1.02

Weight (LBs): 0.24

### Electrical Parameters

Input Voltage: **100-277V 50/60Hz**

Max. input current at full load: **0.9A**

Output voltage without load: **24.1VDC**

Output voltage fully loaded: **24VDC**

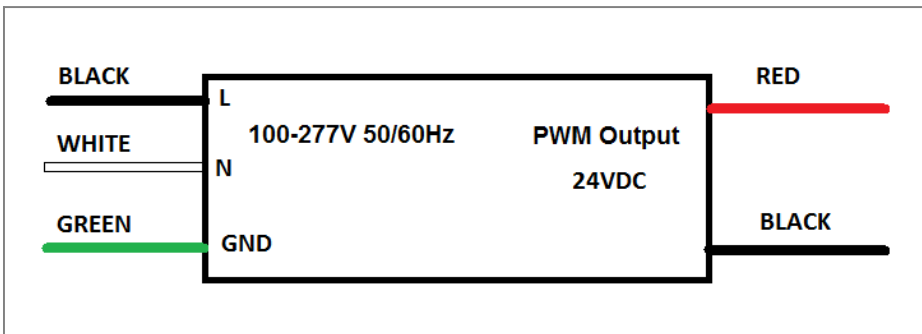
Max. Total Wattage: **60W**

Max. Output Current: **2.5A**

Efficiency: **90%**

Load regulation: **1%**

Ripple: **5%**



Mailing Address: 646 Flinn Ave. Unit B, Moorpark, CA 93021 Tech support: Arik Nirenberg phone: 818-904-3309

Fax: 818 904 3327 info@emcod.com techsupport@emcod.com