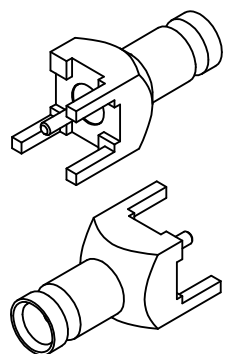
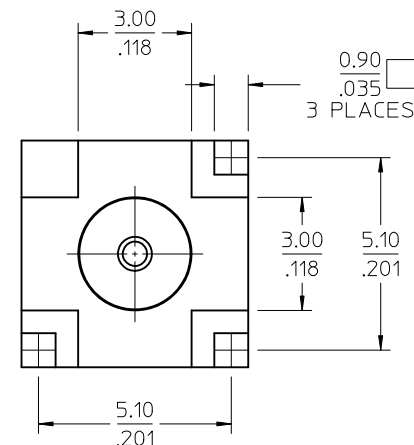
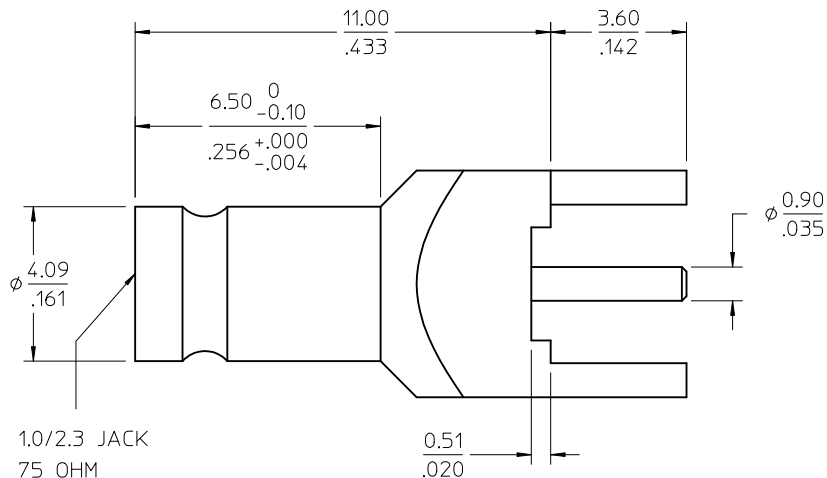
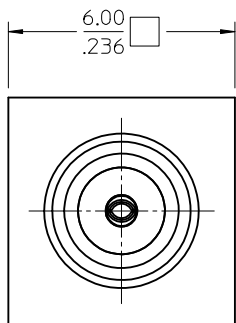


MATERIALS AND FINISHES:

BODY BRASS  
PLATED GOLD

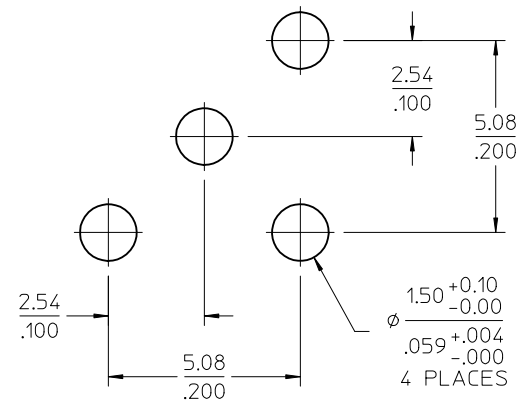
CONTACT BERYLLIUM COPPER  
PLATED GOLD

INSULATOR TEFLON



PART # 73174-0950

PCB HOLE PATTERN  
DESIGN FOR 75 OHM



CECC-22-230	INTERFACE
SPECIFICATION	DESCRIPTION

CHG: XXXXX	EC NO: URF2011-0704	DRW:SSH AH 2011/05/24	CHKD:ROBERTSON 2011/05/25	APPR:JWIENER 2011/05/25	DESCRIPTION	QUALITY SYMBOLS ▽=0 ▽=0	GENERAL TOLERANCES (UNLESS SPECIFIED)		DIMENSION STYLE	SCALE	DESIGN UNITS	THIRD ANGLE PROJECTION
							mm	INCH	MM/IN	METRIC	☉	
A	REV	MATERIAL NO.	DRAWN BY	DATE	TITLE	APPROVED BY	DATE	4 PLACES ± --- ± ---		731740950	DOCUMENT NO.	SHEET NO.
								3 PLACES ± --- ± ---				
		ANGULAR ± 2 °		2011/05/24		2011/05/25		2 PLACES ± --- ± ---		MOLEX INCORPORATED		
		DRAFT WHERE APPLICABLE MUST REMAIN WITHIN DIMENSIONS		2011/05/25		1 PLACES ± --- ± ---		THIS DRAWING CONTAINS INFORMATION THAT IS PROPRIETARY TO MOLEX INCORPORATED AND SHOULD NOT BE USED WITHOUT WRITTEN PERMISSION				