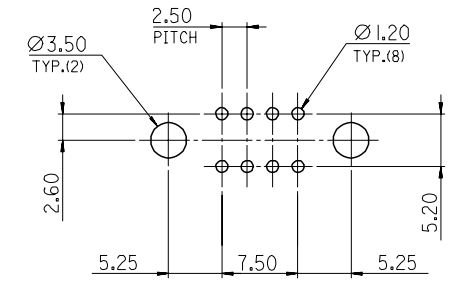
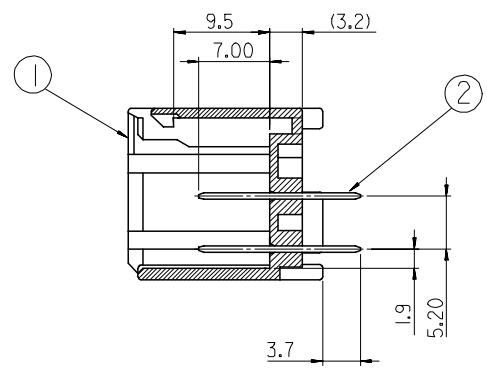
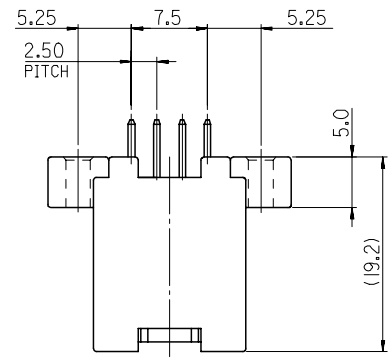
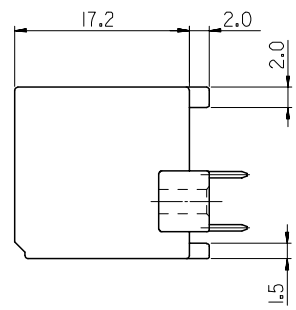
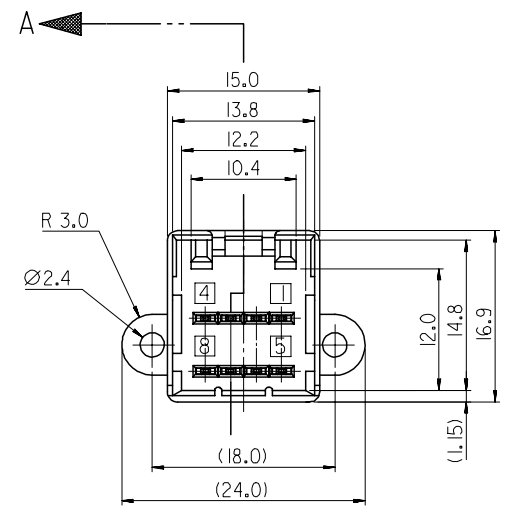


DWG. NO. SD-68145-208
 SIMILAR ITEM
 PROJECT NO.
 B
 DO NOT SCALE DRAWING DIMENSION IN METRIC

NO.	PART NO.	COLOR
1	68145-0811	BLACK
2	68145-0815	GRAY
3	68145-0816	WHITE



SECTION A-A



NOTES

1. APPLICABLE FEMALE HOUSING : 68508-081*

NO.	DESCRIPTION	MATERIAL	REMARK
①	HOUSING	PBT, G/F 15%	UL94HB
②	PIN	BRASS	PRE-TIN PLATED

ADDED OF PART ECN NO. KOR2006-0147 DRWN: E.O. KIM 06/06/01 CHK: B.C. YOON 06/06/01 APPR: S.H. CHOI 06/06/01	QUALITY SYMBOLS MAJOR CRITICAL C	GENERAL TOLERANCES: (UNLESS SPECIFIED)		SCALE 2:1	DESIGN UNITS <input checked="" type="checkbox"/> mm <input type="checkbox"/> INCH	THIRD ANGLE PROJECTION <input checked="" type="checkbox"/> THIRD ANGLE <input type="checkbox"/> FIRST ANGLE	DIMENSIONS: <input type="checkbox"/> mm <input type="checkbox"/> INCH <input checked="" type="checkbox"/> mm ONLY	SHT REV	
		4 PLACES ±0. ±-	3 PLACES ±0. ±-	2 PLACES ±0.25 ±-	1 PLACE ±0.30 ±-	DRAWN BY & DATE B.C. YOON 02/08/05	TITLE: .040 WIRE TO BOARD CONNECTOR 8P HEADER ASS'Y (VTL)		
		ANGULAR: ± °				CHECKED BY & DATE Y. SIK. KIM 02/08/05	MOLEX INCORPORATED		
		DRAFT WHERE APPLICABLE MUST REMAIN WITHIN DIMENSIONS				APPROVED BY & DATE C.W. LEE 02/08/05	CAD FILENAME S681458C.DGN	MATERIAL NO. SEE TABLE	DRAWING NO. SD-68145-208

THIS DRAWING CONTAINS INFORMATION THAT IS PROPRIETARY TO MOLEX INCORPORATED AND SHOULD NOT BE USED WITHOUT WRITTEN PERMISSION.