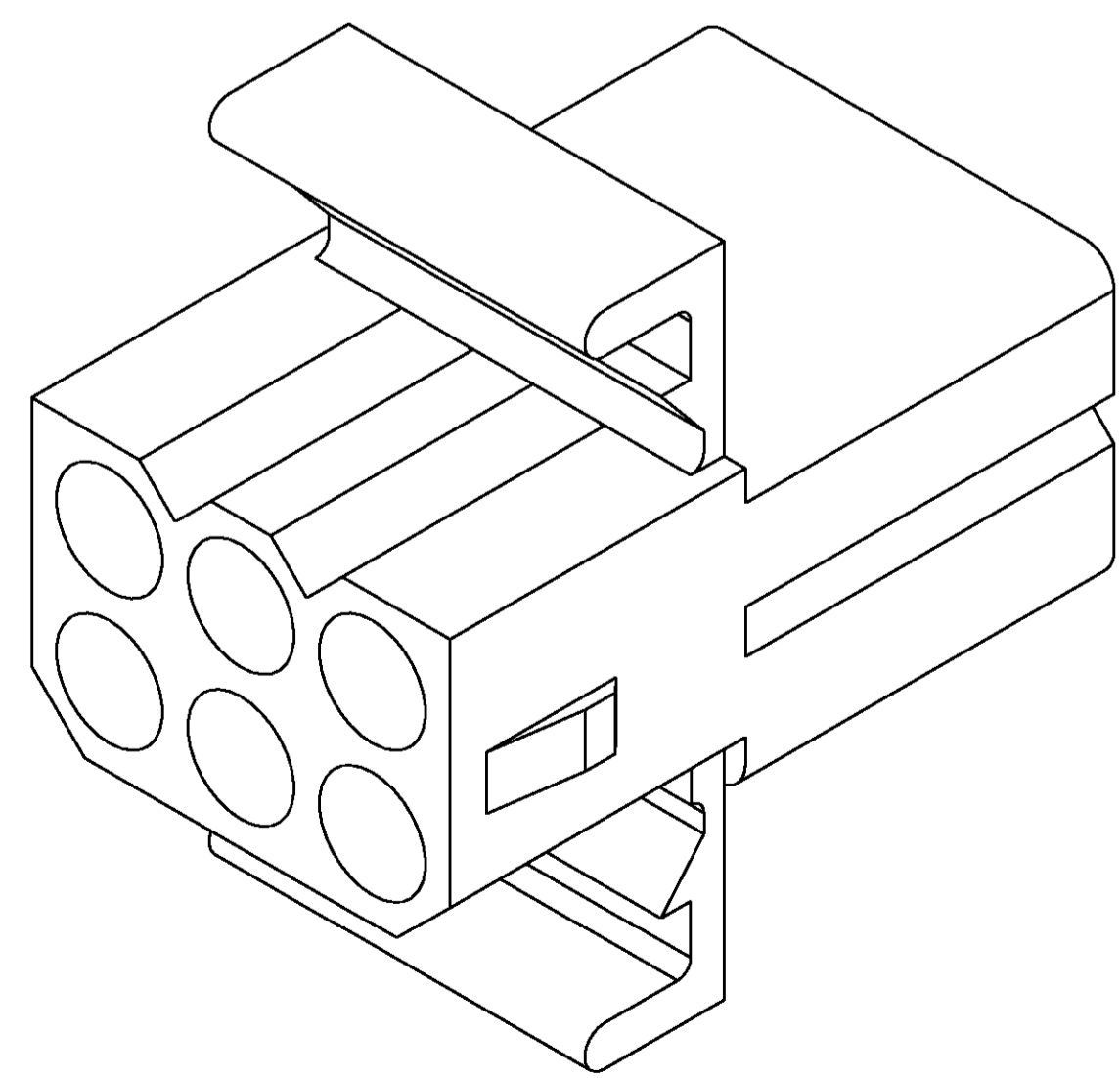
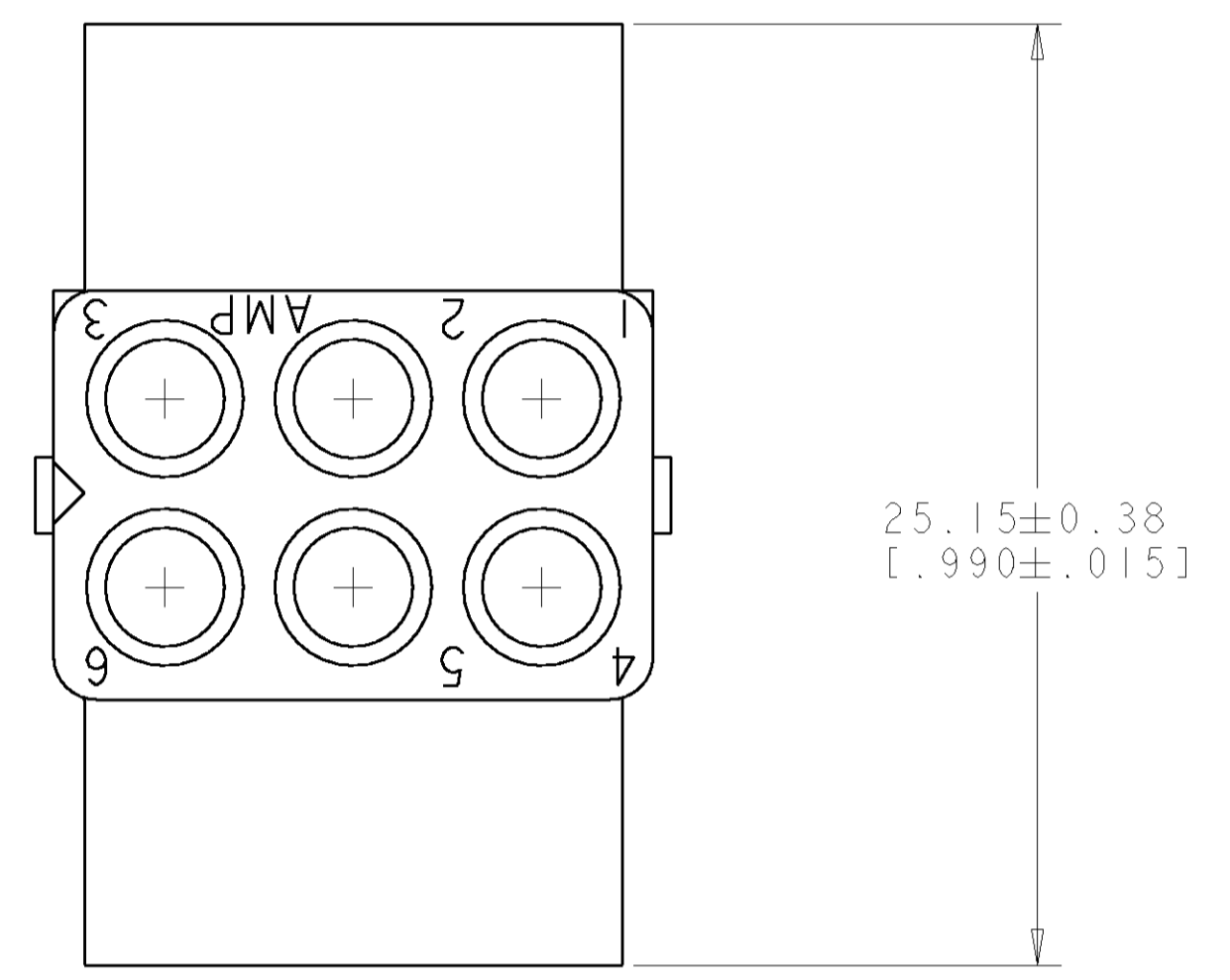
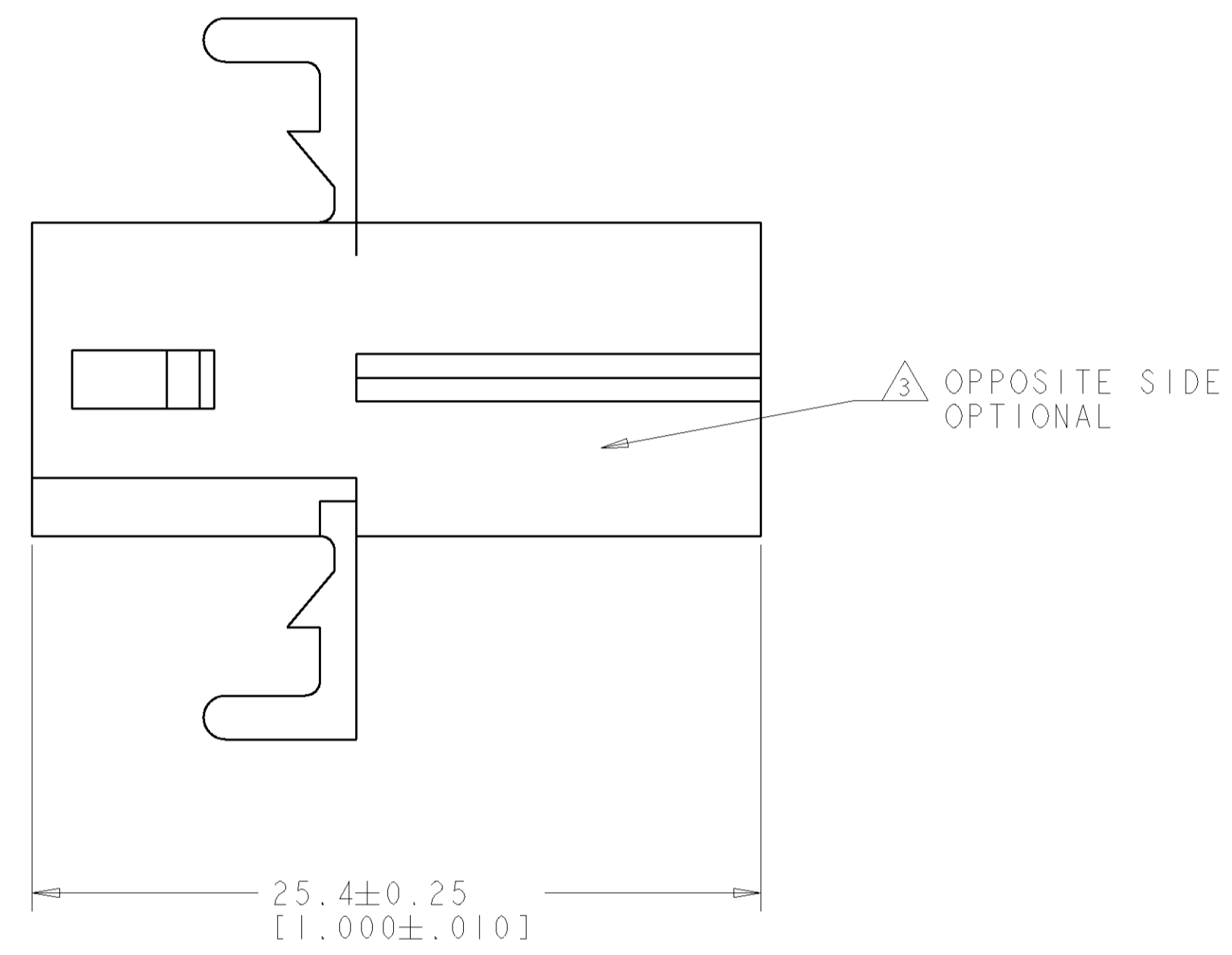
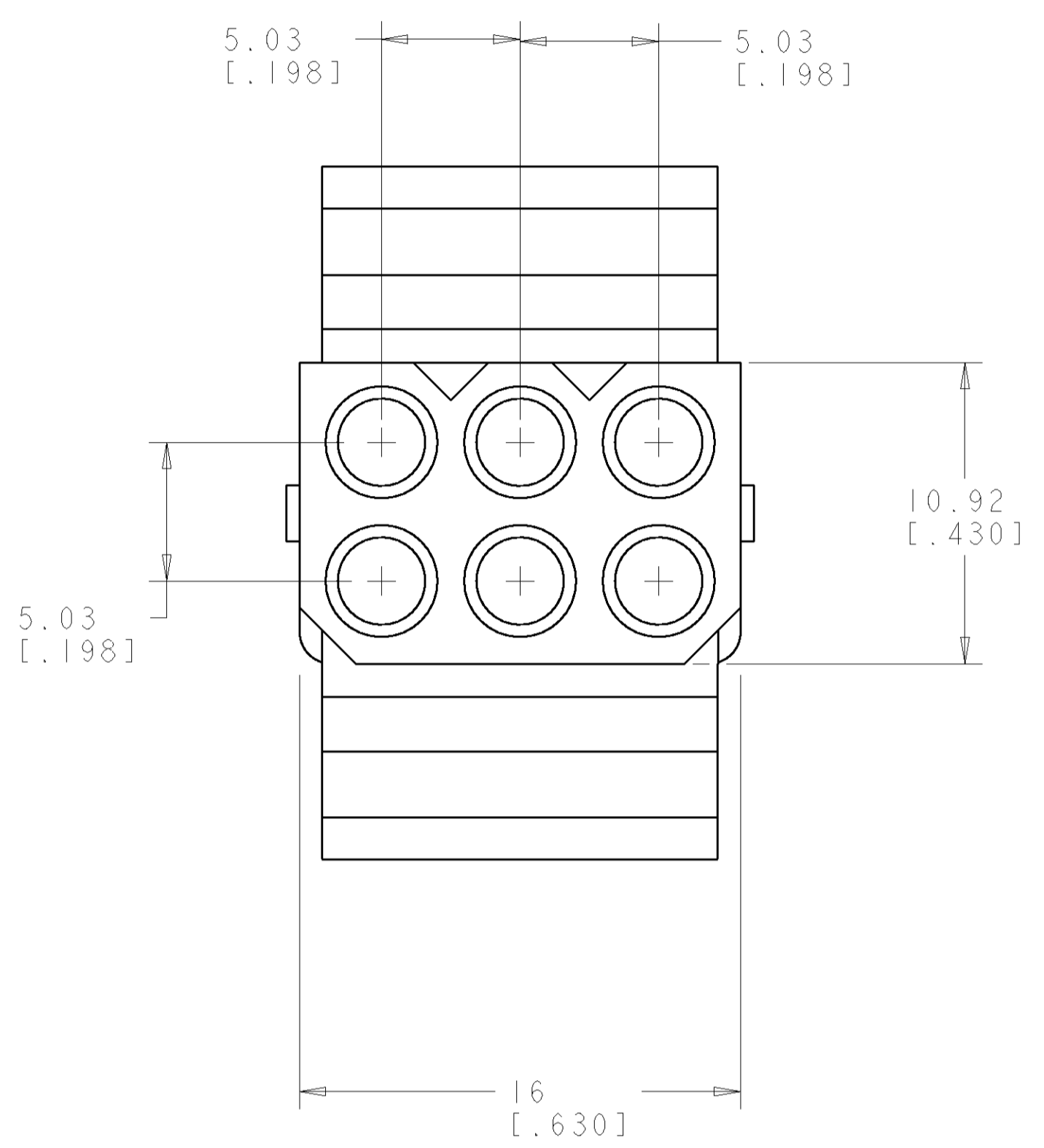
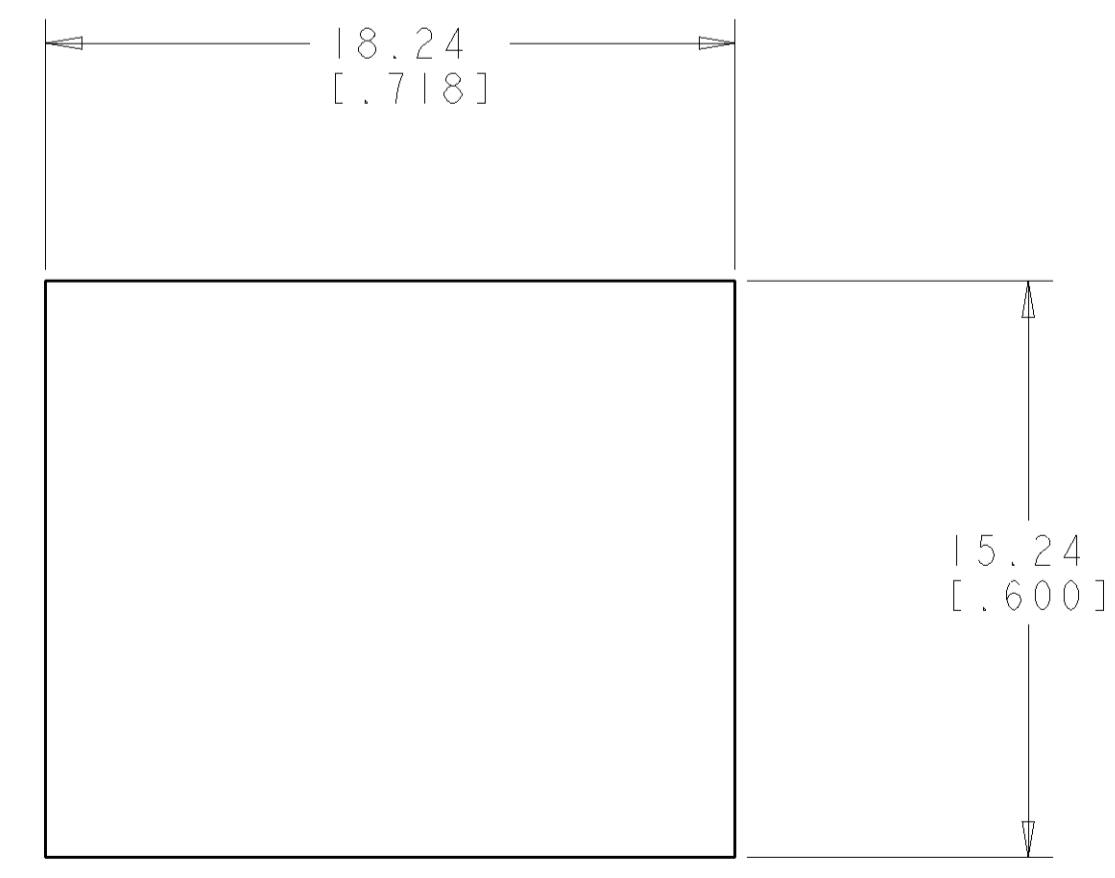


REVISONS		DATE	DWN	APVD
CM	00			
F	REVISED PER 0638-0359-01	18JAN2002	KW	DC

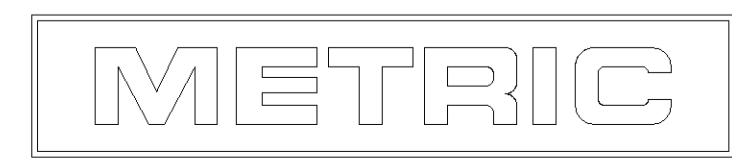
- △ MATERIAL: NYLON UL94V-2 (NATURAL).
- 2. RECOMMENDED PANEL THICKNESS 2.29 [.090] MAX.
- △ MARKING FOR UL LOGO AND CSA LOGO LOCATED APPROXIMATELY AS SHOWN.



3 DIMENSIONAL VIEW



RECOMMENDED PANEL CUTOUT



770087-1
 PART NUMBER

<small>THIS IS A CUSTOMER DRAWING. IT IS THE CUSTOMER'S RESPONSIBILITY TO VERIFY THE DIMENSIONS AND TOLERANCES OF THE PARTS AND TO CONTACT THE SUPPLIER FOR THE LATEST REVISIONS.</small>		DWN: R. WHITAKER 18JAN2002 ENR: D. COLEY 18JAN2002 APVD: D. COLEY 18JAN2002	tyco Electronics Tyco Electronics Harrisburg, PA 17105-3608
DIMENSIONS: mm [INCHES]	TOLERANCES UNLESS OTHERWISE SPECIFIED: 0 PLC ± 1 PLC ± 2 PLC ±0.13 [1.005] 3 PLC ± 4 PLC ± ANGLES ±	NAME: RECEPTACLE, 6 CIRCUIT, COMMERCIAL PIN AND SOCKET PRODUCT SPEC: APPLICATION SPEC:	SIZE: A CAGE CODE: 00779 DRAWING NO: 770087 RESTRICTED TO:
MATERIAL: △	FINISH: -	WEIGHT: -	SCALE: 5:1 SHEET 1 OF 1 REV F
CUSTOMER DRAWING			