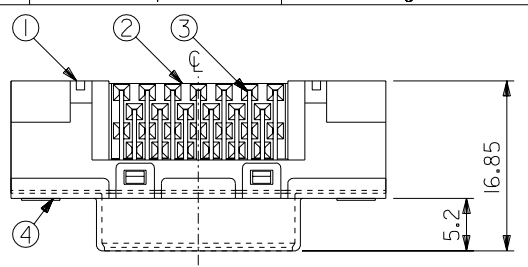
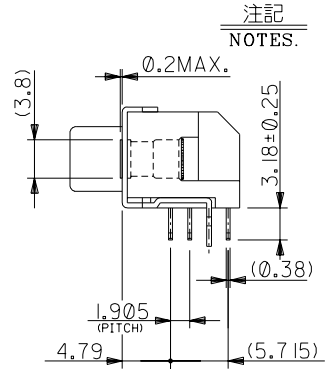
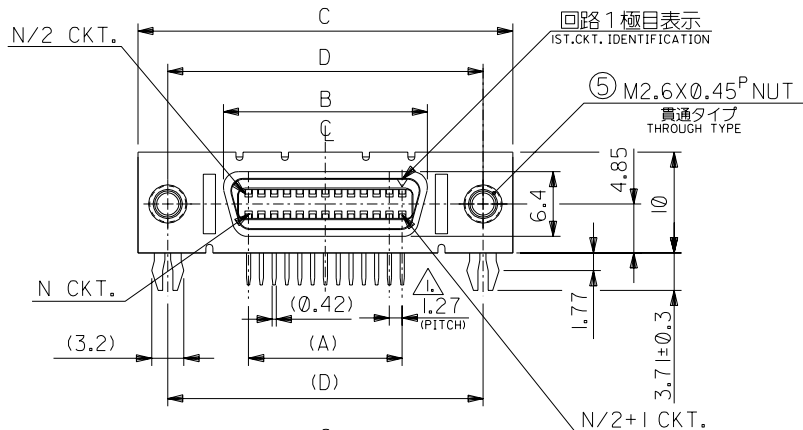


DWG. NO. SD-500815-002

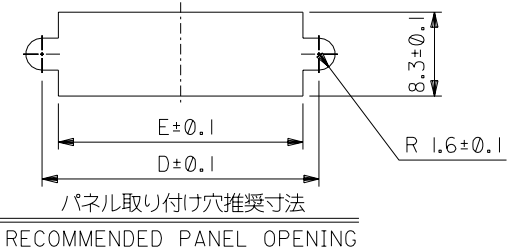
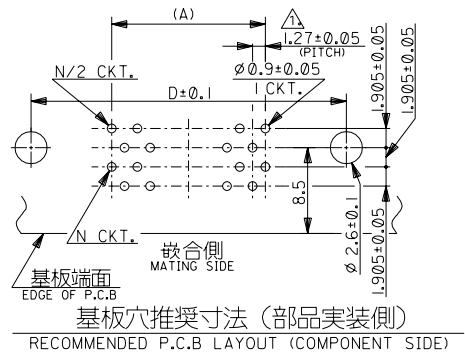
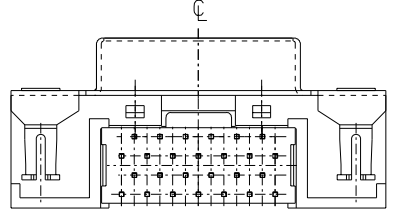


NO.	部品名 PART NAME	材質 MATERIAL	仕上げ FINISH
①	リセプタクル ハウジング RECEPTACLE HOUSING	ガラス入りPBT、黒色、UL94V-0 G.F. PBT, BLACK, UL94V-0	—
②	ガイドプレート GUIDE PLATE	ガラス入りPBT、黒色、UL94V-0 G.F. PBT, BLACK, UL94V-0	—
③	リセプタクル ターミナル RECEPTACLE TERMINAL	りん青銅 PHOSPHOR BRONZE	③
④	シェル SHELL	鋼材 STEEL	下地メッキ UNDER PLATING 仕上げメッキ FINISH PLATING
⑤	ロックナット LOCK NUT	黄銅 COPPER	—



注記
NOTES.

- ① 公差非累積
NON CUMULATIVE TOLERANCE
- 2. 推奨基板厚 : $t=1.6\pm0.2$
RECOMMENDED P.C.B. THICKNESS : $t=1.6\pm0.2$
- ③ ターミナル メッキ仕様
TERMINAL PLATING
金メッキ : $0.3\ \mu\text{m}$ MIN. (接点部)
GOLD : $0.3\ \mu\text{m}$ MIN. (CONTACT AREA)
錫メッキ : $1.0\ \mu\text{m}$ MIN. (半田付け部)
TIN : $1.0\ \mu\text{m}$ MIN. (SOLDER AREA)
ニッケルメッキ : $1.0\ \mu\text{m}$ MIN. (下地メッキ)
NICKEL : $1.0\ \mu\text{m}$ MIN. (UNDER PLATING)
- 4. パネル締め付けトルク : 29.4~39.2 N・cm (3~4 kgf・cm)
SCREW TIGHTENING TORQUE : 29.4~39.2 N・cm (3~4 kgf・cm)



43.3	46.5	52.4	35.48	30.48	500815-****	500815-5018	50
E	D	C	B	A	MODEL NO.	製品番号 MATERIAL NO.	極数 CKT.

DO NOT SCALE DRAWING

EC NO. DRWN: CHK: APPR:	EC NO. DRWN: CHK: APPR:	EC NO. DRWN: CHK: APPR:	REVISED EC NO. J2004-3487 DRWN: N.YOSHIDA '04/03/31 CHK: M.YACI APPR: J.MIYAZAWA	RELEASED EC NO. J2004-2516 DRWN: N.YOSHIDA '04/02/20 CHK: M.YACI APPR: J.MIYAZAWA	DESCRIPTION
			A	0	REV
					INS. RANGE 被覆外径

MATERIAL 材料	FINISH 仕上げ	WIRE RANGE 適用線径範囲	INS. RANGE 被覆外径
----------------	---------------	----------------------	--------------------

GENERAL TOLERANCES: (UNLESS SPECIFIED) 一般公差	SCALE 2=1	DESIGN UNITS <input checked="" type="checkbox"/> mm <input type="checkbox"/> INCH	THIRD ANGLE PROJECTION
10 UNDER 未満	±0.2	DRAWN BY & DATE N.YOSHIDA '04/02/20	TITLE: 1.27 1/0 R/A DIP REC. ASS'Y -LEAD FREE-
10 OVER 以上	±0.25	CHECKED BY & DATE	
30 UNDER 未満	±0.25	APPROVED BY & DATE	
30 OVER 以上	±0.3	CAD FILENAME SD-500815-002.S01	MATERIAL NO. SEE CHART
ANGLE 角度	±3°	DRAWING NO. SD-500815-002	SHEET NO. 1 OF 1

DIMENSIONS: <input type="checkbox"/> mm <input type="checkbox"/> INCH		SHT	REV
THIS DRAWING CONTAINS INFORMATION THAT IS PROPRIETARY TO MOLEX INCORPORATED AND SHOULD NOT BE USED WITHOUT WRITTEN PERMISSION.			

SD-500815-002-501