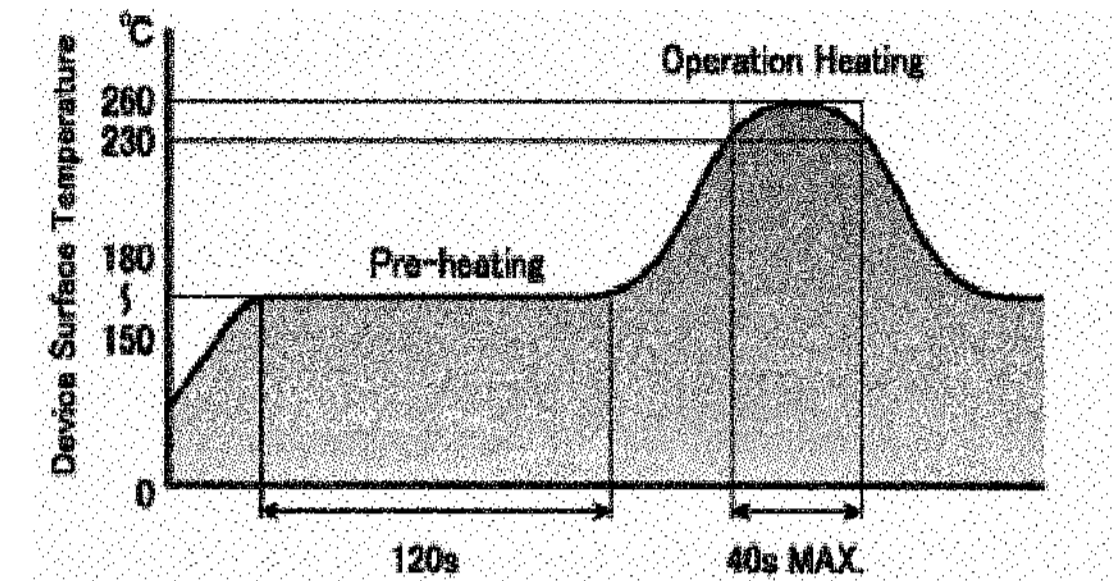


| OPERATING CHARACTERISTICS AT 25°C AMBIENT | | | | | | |
|---|-------------|-----|-----|-----|-------|------------------------|
| CHARACTERISTICS | | MIN | TYP | MAX | UNITS | TEST CONDITIONS |
| LUMINOUS INTENSITY | InGaN GREEN | | 300 | | mcd | I _F = 10 mA |
| | InGaN BLUE | | 80 | | | |
| FORWARD VOLTAGE | InGaN GREEN | | 3.3 | 3.8 | V | I _F = 20 mA |
| | InGaN BLUE | | | | | |
| REVERSE CURRENT | InGaN GREEN | | | 100 | μA | V _R = 5 V |
| PEAK WAVELENGTH | InGaN GREEN | | 522 | | nm | I _F = 10 mA |
| | InGaN BLUE | | 465 | | | |
| DOMINANT WAVELENGTH | InGaN GREEN | | 525 | | | I _F = 10 mA |
| | InGaN BLUE | | 470 | | | |
| VIEWING ANGLE | InGaN GREEN | | 50 | | | 2θ1/2 |
| | InGaN BLUE | | | | | |

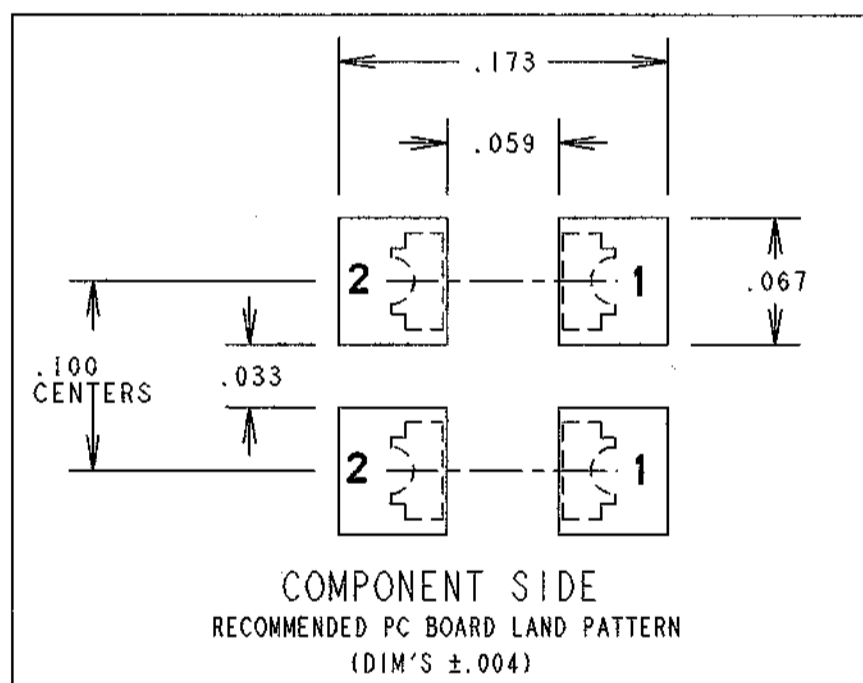
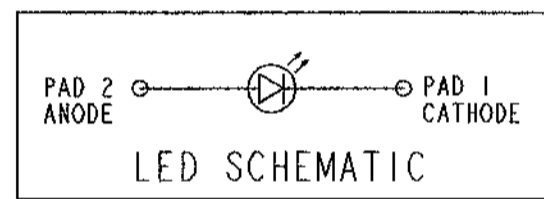
| ABSOLUTE MAXIMUM RATING AT 25°C AMBIENT | | | UNITS |
|---|-------------|------------|-------|
| POWER DISSIPATION | InGaN GREEN | 84 | mW |
| | InGaN BLUE | 80 | |
| DERATE LINEARLY FROM 60°C OR HIGHER | InGaN GREEN | 0.96 | mA/°C |
| | InGaN BLUE | | |
| CONTINUOUS FORWARD CURRENT | InGaN GREEN | 20 | mA |
| | InGaN BLUE | | |
| OPERATING TEMPERATURE | InGaN GREEN | -40 TO 100 | °C |
| | InGaN BLUE | | |
| STORAGE TEMPERATURE | InGaN GREEN | -40 TO 110 | °C |
| | InGaN BLUE | | |

| REV | ECN NO | REVISIONS | DRN | CKD | APP | DATE |
|-----|--------|---|-----|-----|-----|---------|
| A | | NEW RELEASE | TWC | N.O | MES | 0-31-09 |
| B | | UPDATED DIMENSIONS, ROHS COMPLIANT NOTE, NOTE 6 & ESD LOGO. | ALV | 7.8 | | 3-19-07 |

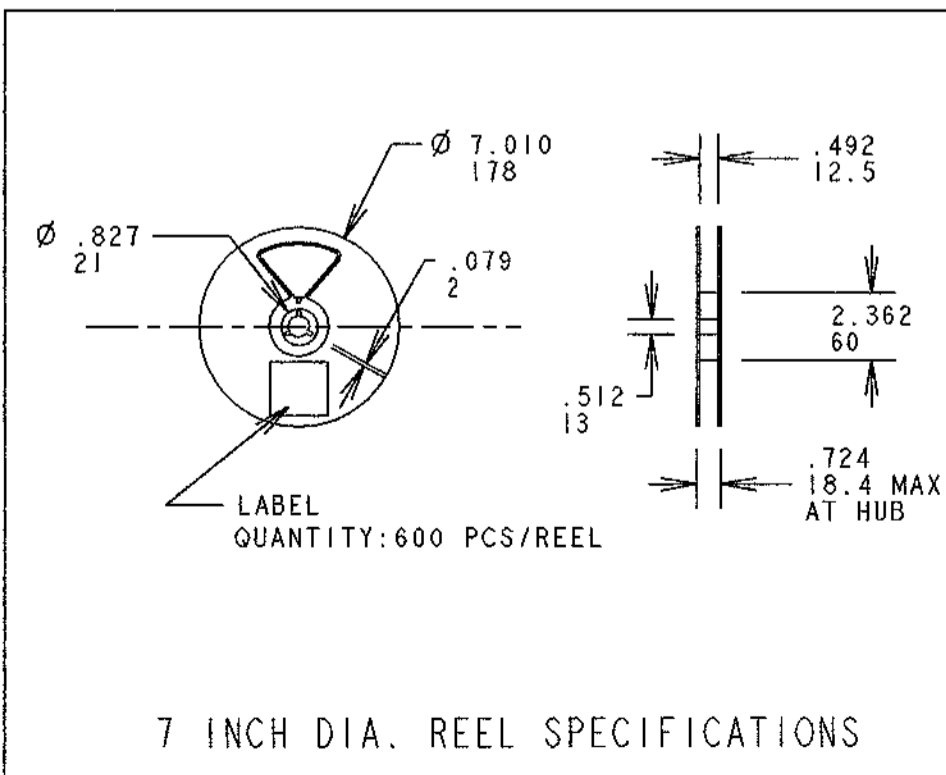
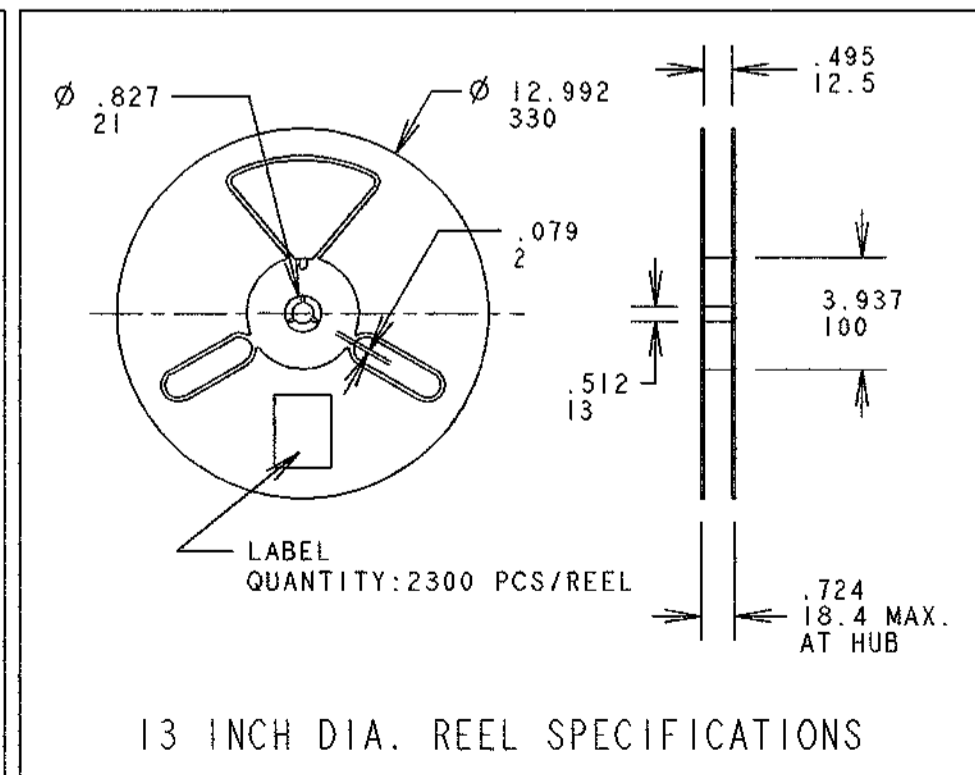
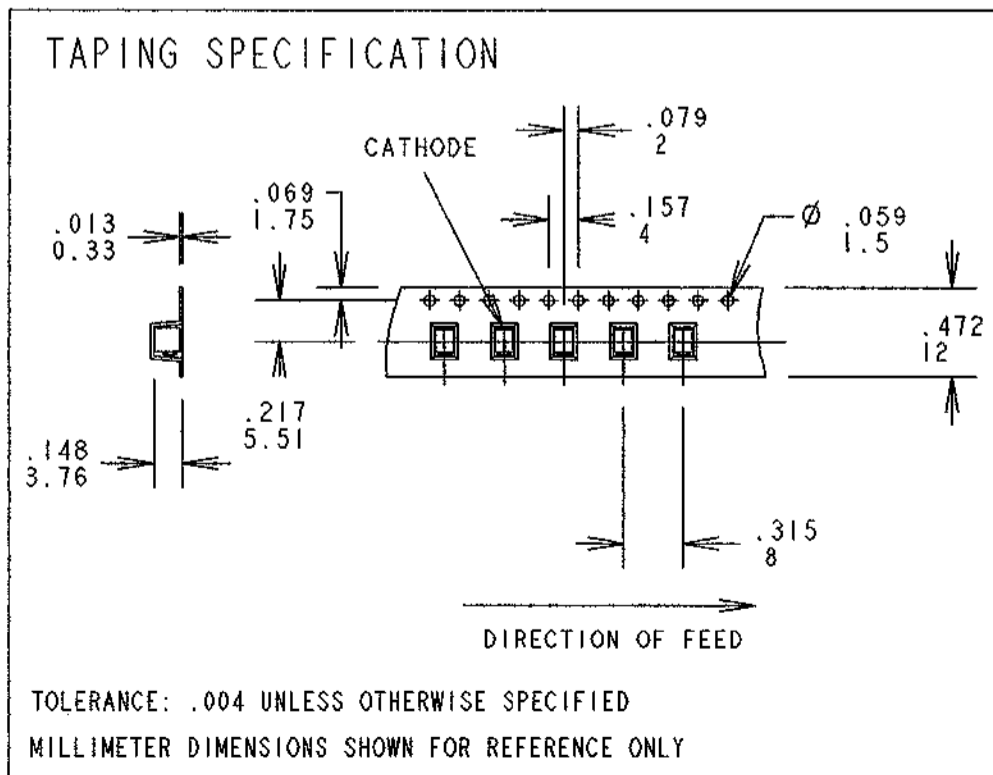
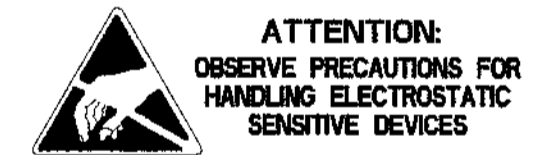
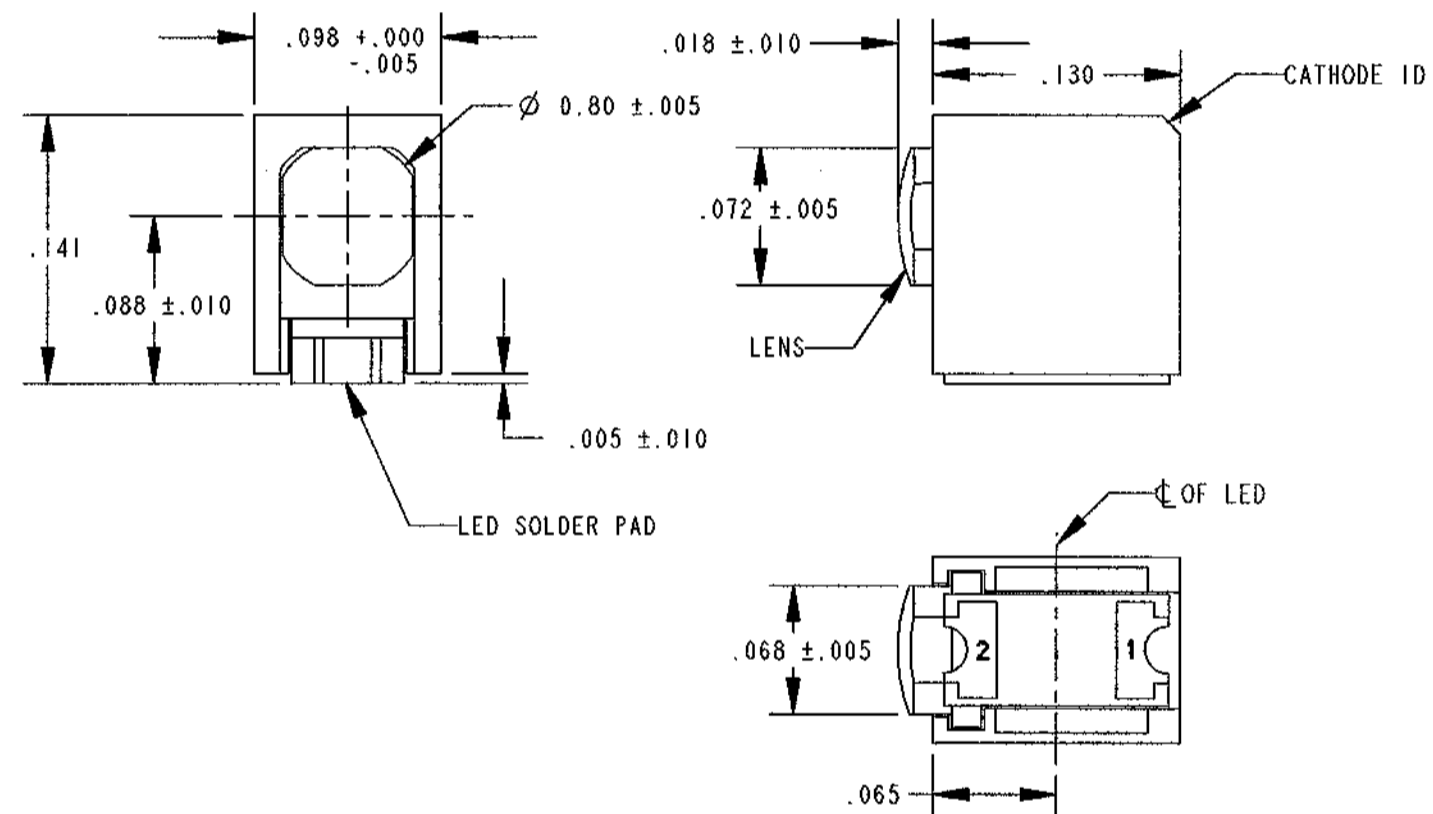


RoHS COMPLIANT REFLOW PROFILE

| PART NUMBER | LED COLOR |
|---------------|-------------|
| 595-2602-002F | InGaN BLUE |
| 595-2602-007F | |
| 595-2602-013F | |
| 595-2902-002F | InGaN GREEN |
| 595-2902-007F | |
| 595-2902-013F | |



- NOTES:
- 1- MILLIMETER DIMENSIONS SHOWN FOR REFERENCE ONLY
 - 2- PAD NUMBERS ARE FOR REFERENCE ONLY, DESIGNATION NON-EXISTENT ON PART
 - 3- STORAGE CONDITIONS FOR TAPED PRODUCT: RE-TAPING MAY BE NECESSARY FOR PRODUCTS STORED MORE THAN TWELVE MONTHS
 - 4- ORDER QUANTITY IS LED ASSEMBLIES, NOT REELS
 - 5- ...-002F SUFFIX MEANS PARTS ARE PACKED ON A 20 pc SAMPLE STRIP
 - 6- ...-007F SUFFIX MEANS PARTS ARE PACKED ON A 7 INCH REEL, 600 pcs/REEL
 - 7- ...-013F SUFFIX MEANS PARTS ARE PACKED ON A 13 INCH REEL, 2300 pcs/REEL
 - 6- DIALIGHT PART NUMBERS = 595-2602-002F, 595-2602-007F, 595-2602-013F, 595-2902-002F, 595-2902-009F AND 595-2902-013F.
 - 7- MOISTURE-SENSITIVE LEVEL 3 AND VACUUM SEALED BAG.
 - 8- PACKAGING ONE HUMIDITY INDICATOR CARD(9100-999-0662-99) PER BAG.
 - 9- THIS ASSEMBLY CONTAINS ELECTROSTATIC DISCHARGE SENSITIVE DEVICES (ESDS). MAINTAIN ALL PRECAUTIONARY MEASURES DURING ASSEMBLY, HANDLING AND STORAGE IN ACCORDANCE WITH IPC-A-610.



RoHS Compliant 595-2X02-0XXF Surface Mount LED

Part Numbers with the "F" suffix ending are RoHS Compliant.
 Example: 595-2602-013F
 The packaging is marked with "RoHS Compliant" label or equivalent markings.
 Parts can be wave soldered, dip soldered or hand soldered using typical lead-free soldering process with max 260°C temp. for 5 sec.

| | | |
|---|--|----------|
| THIS DRAWING AND THE CONTENTS HEREIN ARE CONFIDENTIAL AND THE SOLE PROPERTY OF DIALIGHT. REPRODUCTION OF THIS DRAWING OR CONSTRUCTION OF ANY PARTS WITHIN THIS DRAWING ARE FORBIDDEN WITHOUT THE WRITTEN CONSENT OF DIALIGHT. | | |
| SCALE: DRAWING SCALE ALL DIM'S IN: INCHES (MM) | DRAWING NUMBER C-17325 | REV B |
| TOLERANCES: UNLESS OTHERWISE SPECIFIED FRACTIONS: ±1/64 DECIMALS (.XX): ±.01 DECIMALS (.XXX): ±.005 DECIMALS (.XXXX): ±.0005 ANGLES: ±1° | TITLE SURFACE MOUNT CBI RoHS COMPLIANT | |
| FINISH: | MATERIAL | |
| FSCM 83330 | Dialight 1501 ROUTE 34 SOUTH FARMINGDALE, NJ 07727 | |
| SHEET 1 OF 1 FAMILY TABLE: | | |