

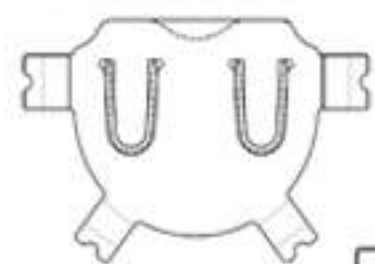
BATTERY COIN CELL HOLDER

PRODUCT SPECIFICATIONS

Coin cell holder are widely used in various devices to securely fix the battery in the proper position while maintaining the power of the device.

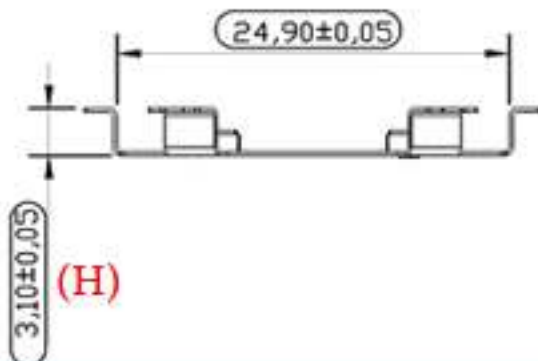
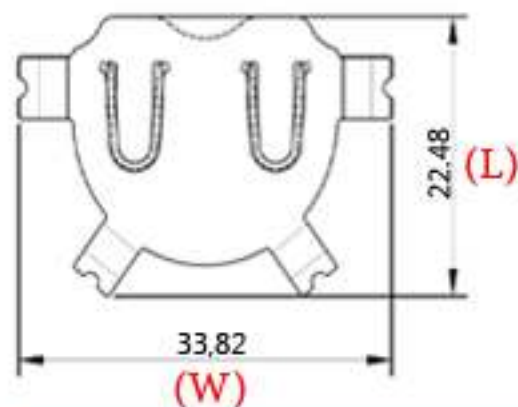
Ming Chiang offered six different styles and sizes to alleviate the problem you will come across when searching for high-quality and cost-effective coin cell battery holders. Please refer to the details of our coin cell holder below.

TMJ-10904

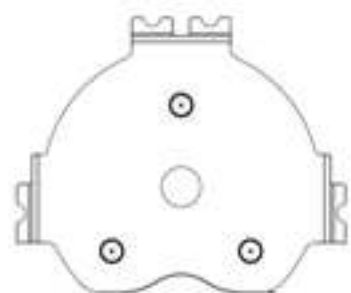


Length(mm) Width(mm) Height(mm)

22.48 33.82 3.10

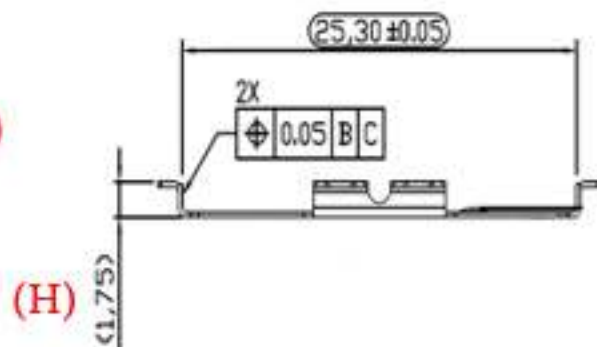
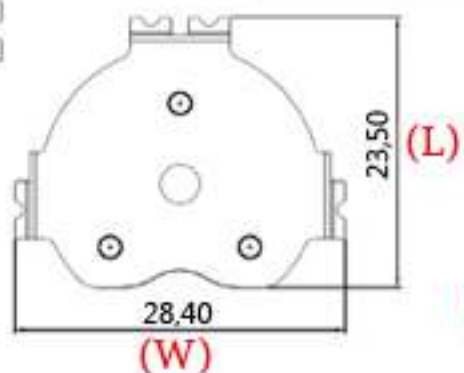


TMJ-10905

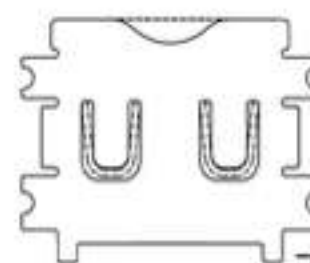


Length(mm) Width(mm) Height(mm)

23.50 28.40 1.75

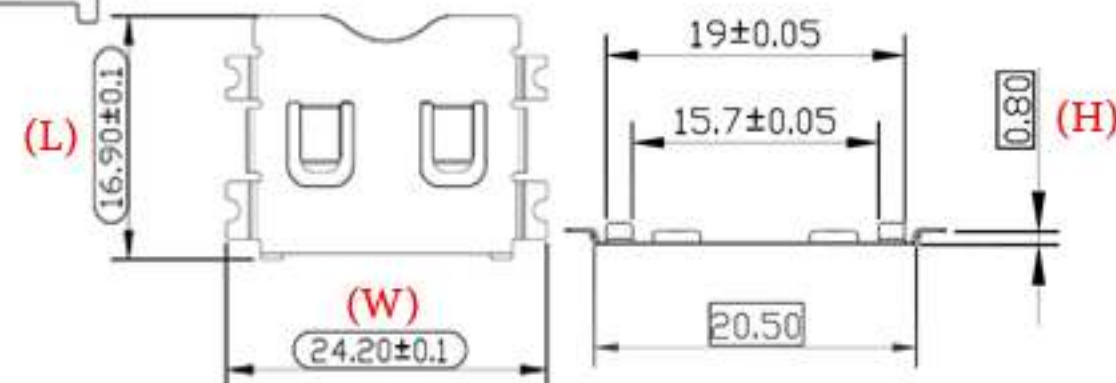


TMJ-10906



Length(mm) Width(mm) Height(mm)

16.90 24.20 0.80



PRODUCT DETAILS:

Material	Phosphor Bronze or any special requirements
Thickness	0.25mm or any special requirements
Finishing	Tin over Nickel or any special requirements
Packaging Style	Tape and Reel or customized tray
Delivery Time	7 working days for Tooling Modification 15~25 days for Mass production

We also cater customization request base on your specific needs (e.g. size, shapes, material) with a fair amount of additional cost. You can send your inquiry to sales@mjtw.com.tw and we will process it as soon we received.