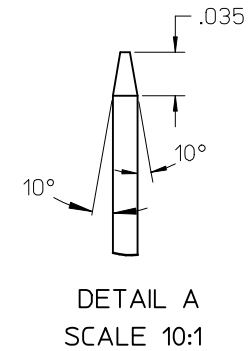
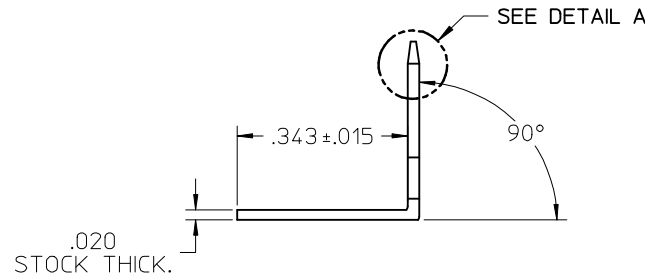
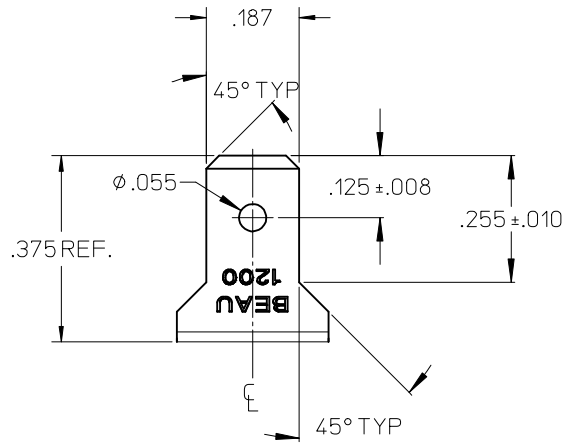
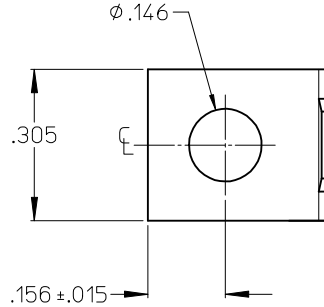


MATERIAL NO.	ENGINEERING NO.	DESCRIPTION	MATERIAL	FINISH
380020039	1215	TERMINAL, FAST-TAB VR	BRASS	TIN OVER COPPER PLATED



NOTES:
1. PART IS ROHS COMPLIANT.

INITIAL RELEASE EC NO: WNA2010-0069 DRWN: JENCINAS 2009/08/21 CHKD: CYORK 2009/09/14 APPR: JMACNEIL 2009/09/14	DESCRIPTION REV A	QUALITY SYMBOLS	GENERAL TOLERANCES (UNLESS SPECIFIED)	DIMENSION STYLE INCH ONLY		SCALE 4:1	DESIGN UNITS INCH	THIRD ANGLE PROJECTION			
		$\nabla=0$ $\nabla=0$	mm INCH 4 PLACES ± --- ± --- 3 PLACES ± --- ± .005 2 PLACES ± --- ± .01 1 PLACE ± --- ± ---	DRAWN BY J. ENCINAS	DATE 2009/07/28	TITLE TERMINAL, .187 FAST-TAB SGL TAB 1 HOLE 90/VERT (CAT# 1215)					
		DRAFT WHERE APPLICABLE MUST REMAIN WITHIN DIMENSIONS	CHECKED BY C. YORK	DATE 2009/07/28							
		APPROVED BY JMACNEIL		DATE 2009/07/28		MOLEX INCORPORATED		DOCUMENT NO. SD-38002-069		SHEET NO. 1 OF 1	
MATERIAL NO. SEE CHART				THIS DRAWING CONTAINS INFORMATION THAT IS PROPRIETARY TO MOLEX INCORPORATED AND SHOULD NOT BE USED WITHOUT WRITTEN PERMISSION							