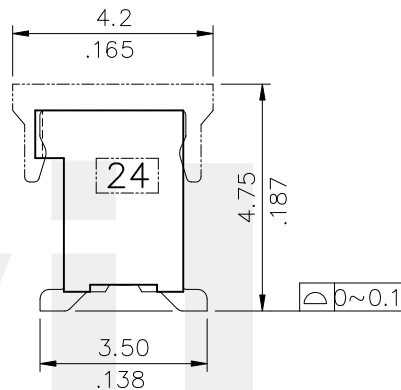
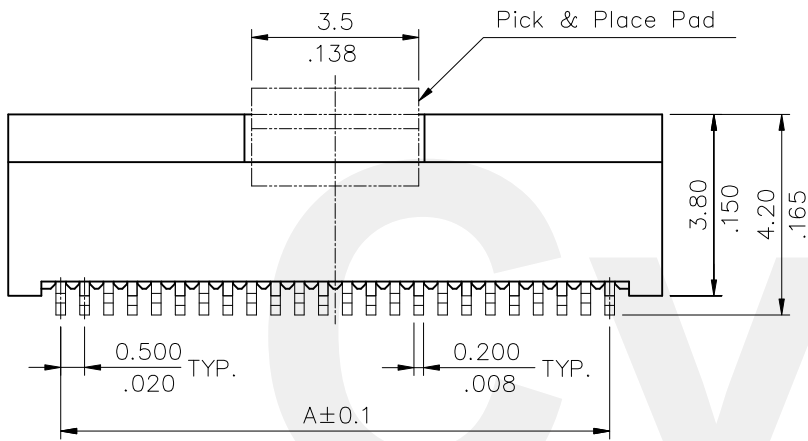
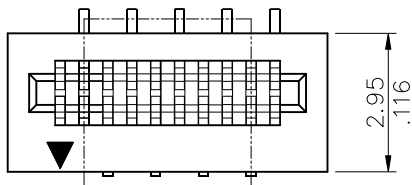


DETAIL "A-A"



A = 0.50 x No. of Spaces  
 B = A + 2.2  
 C = A + 1.1



4~9PIN

Notes :

- \* Body : NYLON 6T UL 94V-0, Color Nature (Halogen-Free)
- \* PAD : NYLON 6T UL 94V-0, Color Black (Halogen-Free)
- \* Contact : Phosphor Bronze
- \* For Lead-Free IR Reflow process

Ordering Code

CF24 \*\* \* V 0 \* \* -NH  
 ① ② ③ ④ ⑤ ⑥ ⑦ ⑧

- ① Series No.
- ② Contacts: 04 To 50
- ③ Plating code: 1= 3.05µm(120µ") Min. Matte Tin over 0.76µm(30µ") Nickel  
 2= Gold flash plated over 1.27µm(50µ") Nickel
- ④ Contact style: V= Vertical Type
- ⑤ Color: 0= Nature
- ⑥ Packing Type: R= Tape & Reel  
 T= Tube Packing
- ⑦ Other options: 0= With PAD (Standard)  
 N= Without PAD
- ⑧ -NH= For Lead Free IR Processes and Halogen-Free

Lead Free Process

Halogen-Free

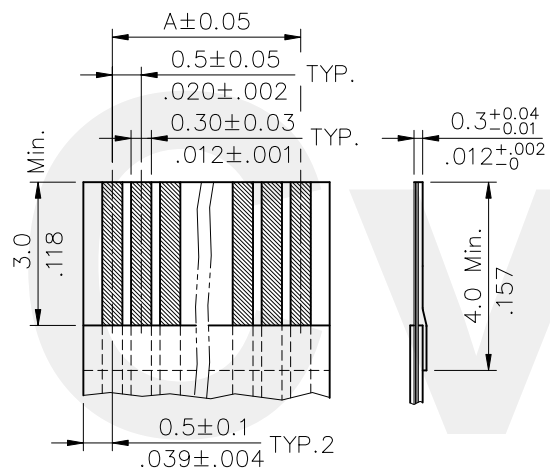
RoHS Compliant



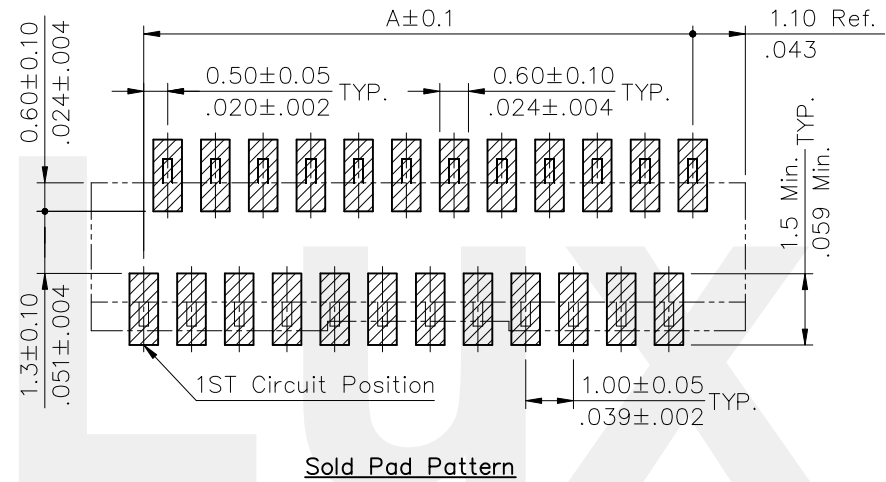
瀚荃股份有限公司  
 CviLux Corporation

④					DATE	UNIT: mm / inch	TITLE: 0.50mm(.031") LIF FFC/FPC VERTICAL TYPE SURFACE MOUNT CONNECTOR	DRAWING NO. <b>CF2413SB</b> PART NO. <b>CF24***V0**-NH</b>
③					DRAWN BY: Karen 9/1-21'	TOLERANCE UNLESS OTHERWISE SPECIFIED		
②					ENGINEER: Sun 9/2-21'	.X ± 0.15/.006 X' ± 1'	MATERIAL:	DRAWING NO. <b>CF2413SB</b> PART NO. <b>CF24***V0**-NH</b>
①	Karen	9/01-21'	ECNT121210/ECRB121030		CHECKED BY: Eisley 9/3-21'	.XX ± 0.10/.004 X' ±	FINISH:	DRAWING NO. <b>CF2413SB</b> PART NO. <b>CF24***V0**-NH</b>
SYM	NAME	DATE	REVISIONS		APPROVED BY: Eisley 9/3-21'	.XXX ± 0.05/.002 XX' ±		SCALE 6 / 1 SHEET 1 OF 3






Accommodated FFC/FPC



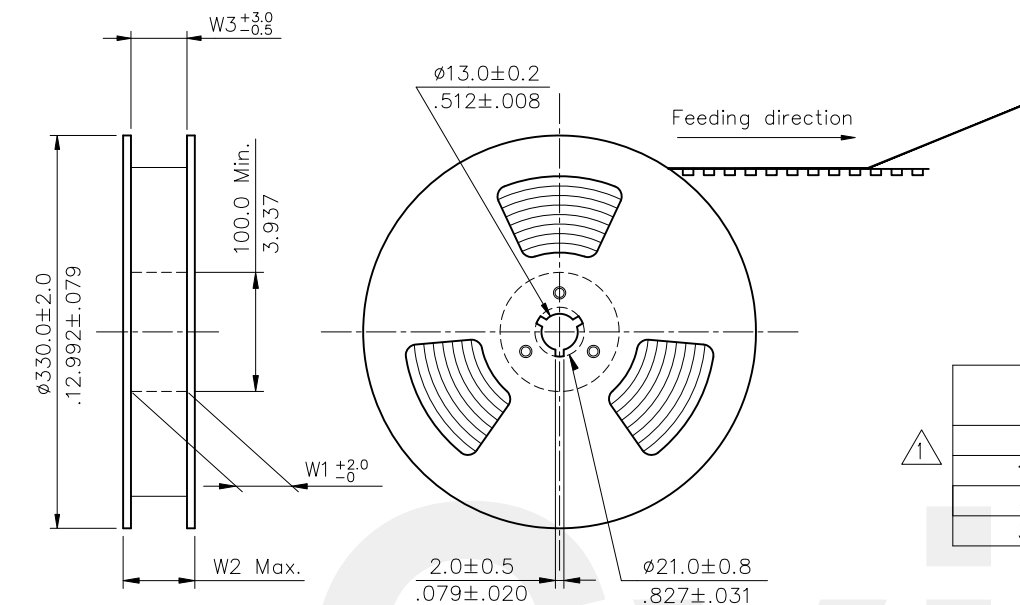
Lead Free Process

Halogen-Free

RoHS Compliant

4					DATE	UNIT: mm / inch	TITLE: 0.50mm(.031") LIF FFC/FPC VERTICAL TYPE SURFACE MOUNT CONNECTOR	 瀚荃股份有限公司 CviLux Corporation	DRAWING NO. CF2413SB	PART NO. CF24***V0**--NH
3				DRAWN BY: Karen	9/1-21'	TOLERANCE UNLESS OTHERWISE SPECIFIED				
2					ENGINEER: Sun	9/2-21'	MATERIAL:	SCALE 6 / 1	SHEET 2 OF 3	
1	Karen	9/01-21'	ECNT121210/ECRB121030	CHECKED BY: Easley	9/3-21'	.X ± 0.15/.006 X' ± 1'	FINISH:			
SYM	NAME	DATE	REVISIONS	APPROVED BY: Easley	9/3-21'	.XX ± 0.10/.004 X' ±				
						.XXX ± 0.05/.002 XX' ±				

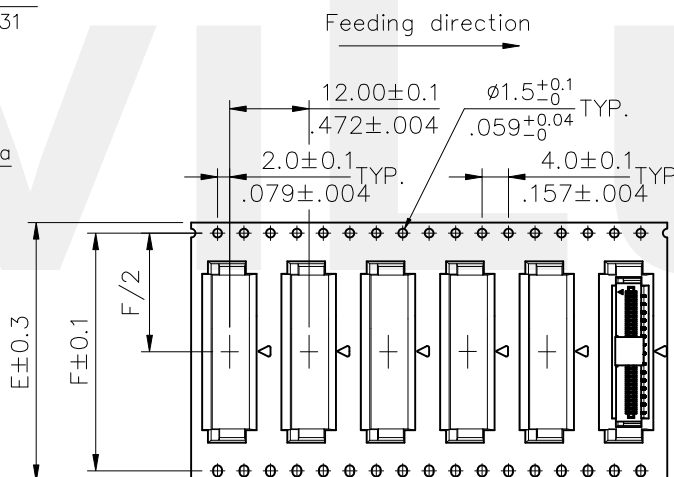
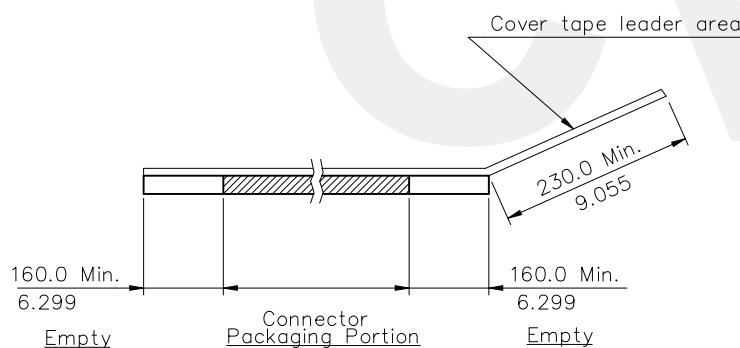




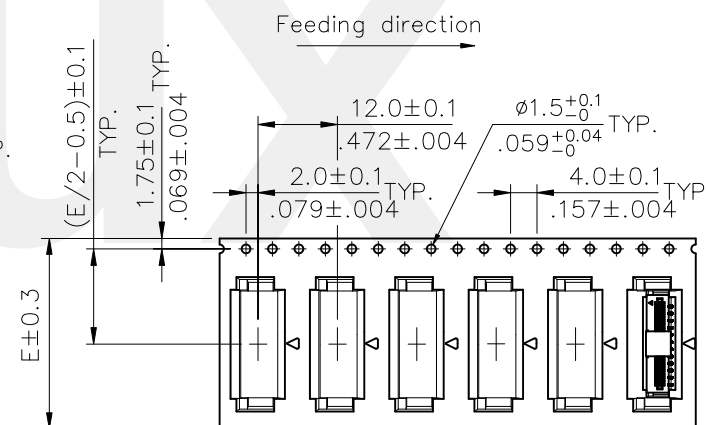
NOTES:

1. 10 sprocket hole pitch cumulative tolerance  $\pm 0.20$  .
2. Carrier camber is within 1 mm in 250 mm.
3. Material : Clear,Transparent Polystyrene Alloy (UP-6000).
4. All dimensions meet EIA-481 requirements.
5. Thickness :  $0.40 \pm 0.05$ mm.
6. Packing length per 22" reel : 98.5 Meters.
7. Component load per 13" reel : 1000 pcs.

Circuits	Dimension					Packing (Reel/Carton)
	E	F	W1	W2	W3	
4-10	16.0(.630)	—	16.5(.650)	22.5(.886)	16.5(.650)	11
11-30	24.0(.945)	—	24.5(.965)	30.5(1.200)	24.5(.965)	9
31-38	32.0(1.260)	28.40(1.118)	32.5(1.280)	38.5(1.516)	32.5(1.280)	7
39-50	44.0(1.732)	40.40(1.596)	44.5(1.752)	50.5(1.988)	44.5(1.752)	5




WIDTH : 32, 44 mm Carrier



WIDTH : 16, 24 mm Carrier

RoHS Compliant

4					DATE	UNIT: mm / inch	TITLE: 0.50mm(.031") LIF FFC/FPC VERTICAL TYPE SURFACE MOUNT CONNECTOR	 瀚荃股份有限公司 CviLux Corporation
3					DRAWN BY: Karen	TOLERANCE UNLESS OTHERWISE SPECIFIED	MATERIAL:	
2					ENGINEER: Sun	.X ±      X' ± 1'	FINISH:	DRAWING NO. CF2413SB
1	Karen	9/01-21'	ECNT121210/ECRB121030		CHECKED BY: Eisley	.XX ±      .X' ±		PART NO. CF24***V0**-NH
SYM	NAME	DATE	REVISIONS		APPROVED BY: Eisley	.XXX ±      .XX' ±		SCALE
								SHEET 3 OF 3

