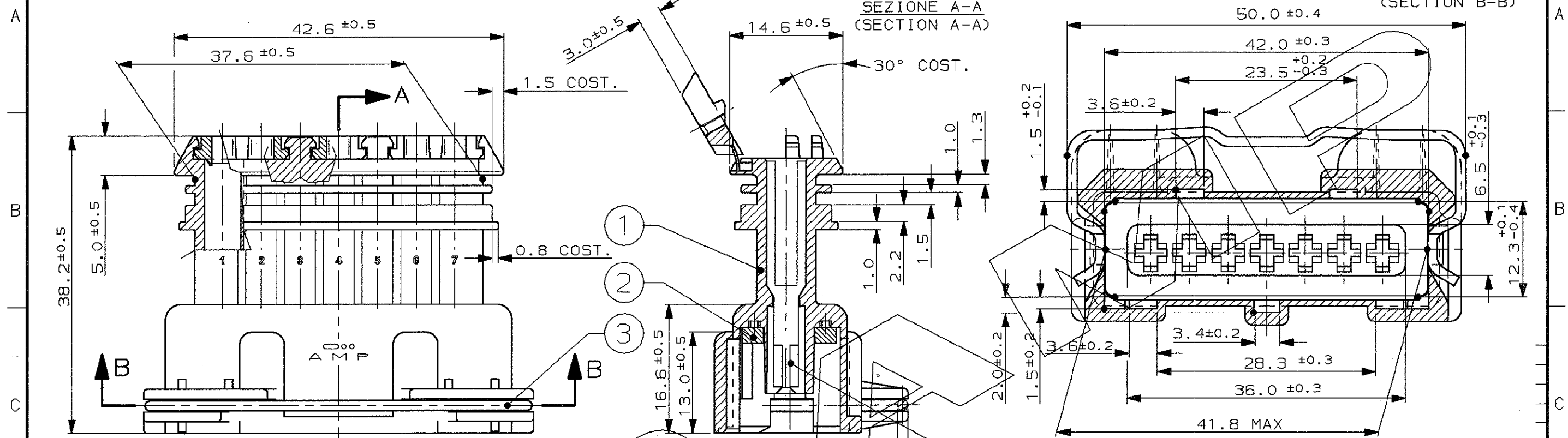
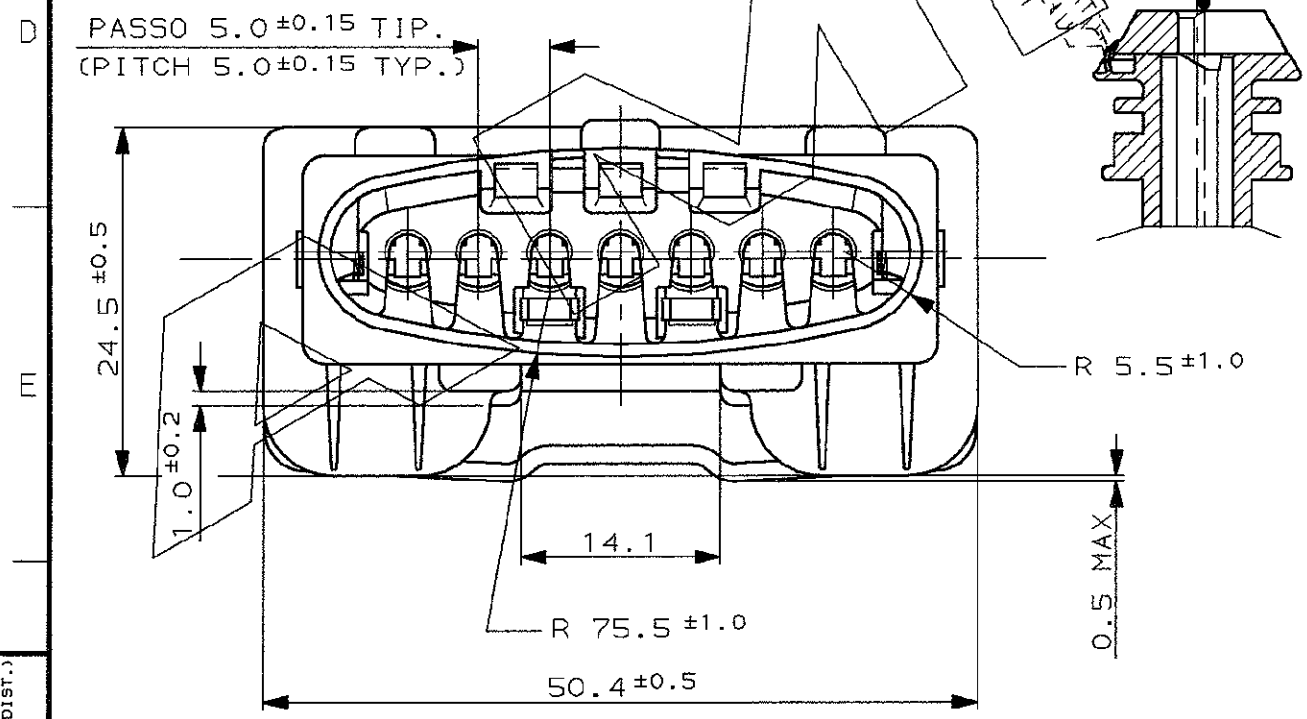


CONNETTORE TIPO A (CON MOLLA DI RITEGNO ESTERNA)  
CONNECTOR TYPE A (WITH EXTERNAL SPRING)



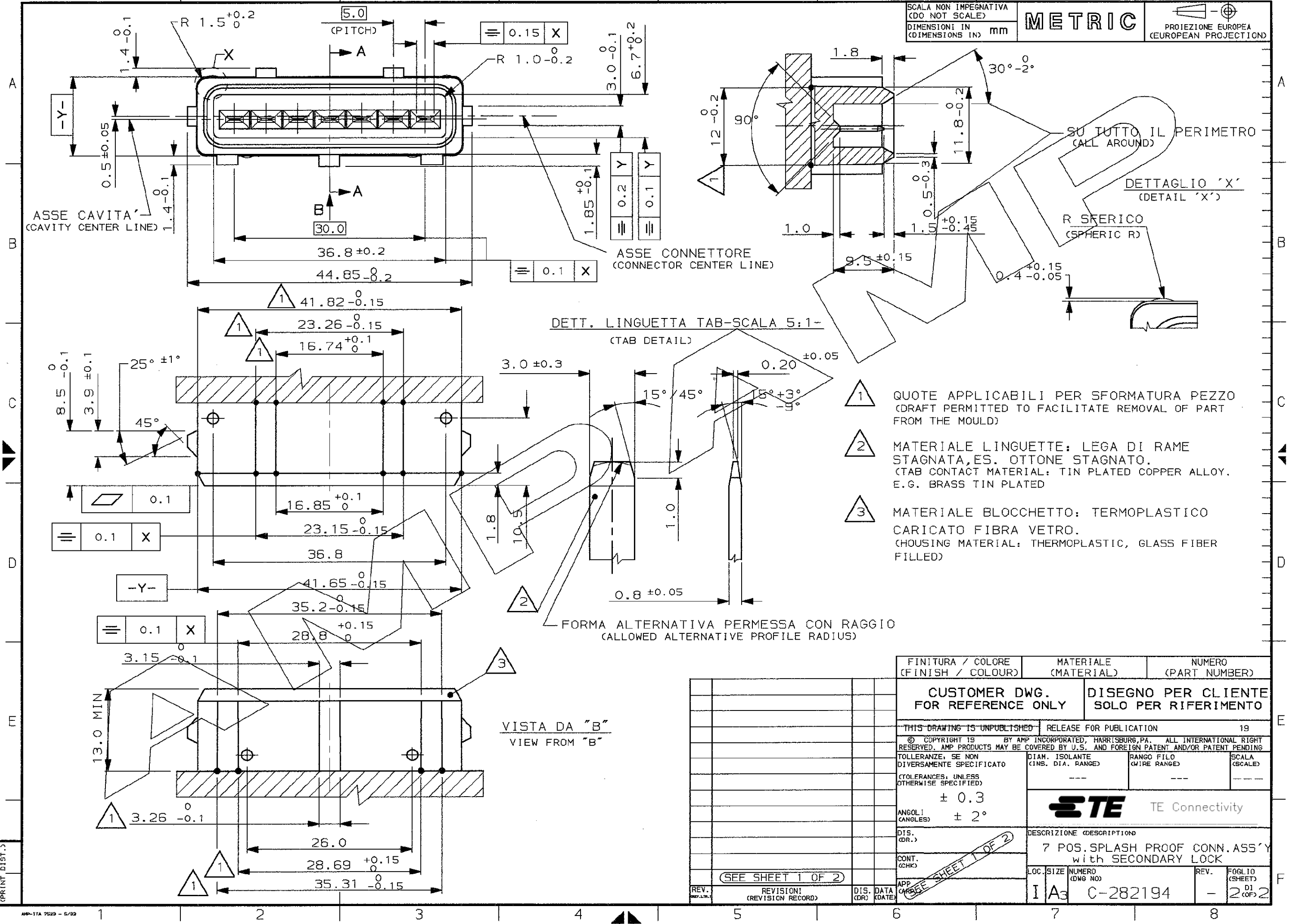
ASSE CAVITA' (CAVITY CENTER LINE)  
ASSE CONNETTORE (CONNECTOR CENTER LINE)  
ØFILO 1.3 (WIRE Ø1.3)

TIP. CAVITA' PER TERMINALI AMP JPT P/N 929939-...  
AMP P/N 828904-1, 828905-1, 282536-1.  
TAPPO CAVITA' P/N 828906-2  
CTYP. CAV. FOR JPT CONT. P/N 929939-... A/O 929937-... AND REL.  
SINGLE WIRE SEAL P/N 828904-1, 828905-1, 282536-1  
CAVITY PLUG P/N 828906-2



ROSSO (RED)	-----				
GIALLO (YELLOW)	-----				
MARRONE (BROWN)	-----				
BLU (BLUE)	-----	3	//////	ACCIAIO INOX (STAINLESS STEEL)	MOLLA (SPRING)
VERDE (GREEN)	-----				
NATURALE (NATUR)	-----	2	NATURALE (NATURAL)	GOMMA (RUBBER)	GUARNIZIONE (RUBBER GASKET)
GRIGIO (GREY)	282194-2				
NERO (BLACK)	282194-1	1	//////	PA 6.6	BLOCCETTO (HOUSING)
COLORE (COLOR)	NUMERO (PART. N°)	N° (ITEM)	FINITURA / COLORE (FINISH / COLOUR)	MATERIALE (MATERIAL)	DESCRIZIONE (DESCRIPTION)
M	ECR-14-003472	MP	24MAR 2014	CUSTOMER DWG. FOR REFERENCE ONLY	
L	AGGIOR. CON ET00-0221-96 REVISED FOR ET00-0221-96	A.F.	27-5 '96	DISEGNO PER CLIENTE SOLO PER RIFERIMENTO	
H	AGGIOR. CON ET00-0108-95 REVISED FOR ET00-0108-95	M.P.	11-5 '95	THIS DRAWING IS UNPUBLISHED RELEASE FOR PUBLICATION 19	
G	AGG. FOGLIO 2 (ADDED SH.2)	R.M.	3-8 '92	TOLLERANZE: SE NON DIVERSAMENTE SPECIFICATO (TOLERANCES, UNLESS OTHERWISE SPECIFIED)	DIAM. ISOLANTE (INS. DIA. RANGE) 1.5-3.0 (REDUCED INS. CABLE)
F	IN PRODUZIONE (IN PRODUCTION)	R.M.	13-10 '92	± 0.3	RANGO FILO (WIRE RANGE) 0.5-2.5 mm² ***
E	AGGIORNATO (REVISED)	R.M.	26-5 '92	ANGOLI (ANGLES) ± 2°	SCALA (SCALE) ***
D	AGGIORNATO (REVISED)	R.M.	17-3 '92	DIS. NOV. 9.'90 (DR.)	DESCRIZIONE (DESCRIPTION) 7 W. SPLASH PROOF CONN. ASS'Y with SECONDARY LOCK
C	AGGIORNATO (REVISED)	R.M.	2-3 '92	Ennio CIN... C. TARTARI	
B	AGGIORNATO (REVISED)	R.M.	4-9 '91	CONT. 13 OCT 92 (CHK)	LOC. SIZE NUMERO (DWG NO) I A3 C-282194
A	WAS P/N C-90-51265-70	C.E.	2.91	APP. (APP.)	REV. FOGLIO (SHEET) M 1 DI (CF) 2
REV.	REVISIONI (REVISION RECORD)	DIS. (DR)	DATA (DATE)		

DISTRIBUZIONE (PRINT DIST.)



- 1 QUOTE APPLICABILI PER SFORMATURA PEZZO  
(DRAFT PERMITTED TO FACILITATE REMOVAL OF PART FROM THE MOULD)
- 2 MATERIALE LINGUETTE: LEGA DI RAME STAGNATA, ES. OTTONE STAGNATO.  
(TAB CONTACT MATERIAL: TIN PLATED COPPER ALLOY, E.G. BRASS TIN PLATED)
- 3 MATERIALE BLOCCHETTO: TERMOPLASTICO CARICATO FIBRA VETRO.  
(HOUSING MATERIAL: THERMOPLASTIC, GLASS FIBER FILLED)

FINITURA / COLORE (FINISH / COLOUR)	MATERIALE (MATERIAL)	NUMERO (PART NUMBER)
CUSTOMER DWG. FOR REFERENCE ONLY	DISEGNO PER CLIENTE SOLO PER RIFERIMENTO	19
THIS DRAWING IS UNPUBLISHED - RELEASE FOR PUBLICATION		
© COPYRIGHT 19 BY AMP INCORPORATED, HARRISBURG, PA. ALL INTERNATIONAL RIGHT RESERVED. AMP PRODUCTS MAY BE COVERED BY U.S. AND FOREIGN PATENT AND/OR PATENT PENDING		
TOLLERANZE, SE NON DIVERSAMENTE SPECIFICATO (TOLERANCES, UNLESS OTHERWISE SPECIFIED)	DIAM. ISOLANTE (INS. DIA. RANGE)	RANGO FILO (WIRE RANGE)
± 0.3	---	---
ANGOLI (ANGLES)	SCALA (SCALE)	
± 2°	---	
DIS. (DR.)	DESCRIZIONE (DESCRIPTION)	
	7 POS. SPLASH PROOF CONN. ASS'Y with SECONDARY LOCK	
CONT. (CHK)	LOC. SIZE NUMERO (DWG NO)	REV. FOGLIO (SHEET)
	I A3 C-282194	- 2/2
APP. (DATE)	DIS. DATA (DR. DATE)	
---	---	

REV. (REV. NO.)	REVISIONI (REVISION RECORD)	DIS. DATA (DR. DATE)

SEE SHEET 1 OF 2

SEE SHEET 1 OF 2

DISTRIBUZIONE  
(PRINT DIST.)