

ITEM	PART#	DESCRIPTION	QTY	UOM
A	2053410205	PICO-LOCK 2.0 W/B REC HSG 5P	1	PC
B	2053425028	PICO-LOCK 2.0 W/B REC TERM PL AWG#20-22	5	PC
C	--	PAPER PRINTED PAPER WHITE	1	PC

FROM	TO	DESCRIPTION	COLOR
A1	--	1X20AWG DISC SR-PVC BK UL10002	BLACK
A2	--	1X20AWG DISC SR-PVC BK UL10002	BLACK
A3	--	1X20AWG DISC SR-PVC BK UL10002	BLACK
A4	--	1X20AWG DISC SR-PVC BK UL10002	BLACK
A5	--	1X20AWG DISC SR-PVC BK UL10002	BLACK

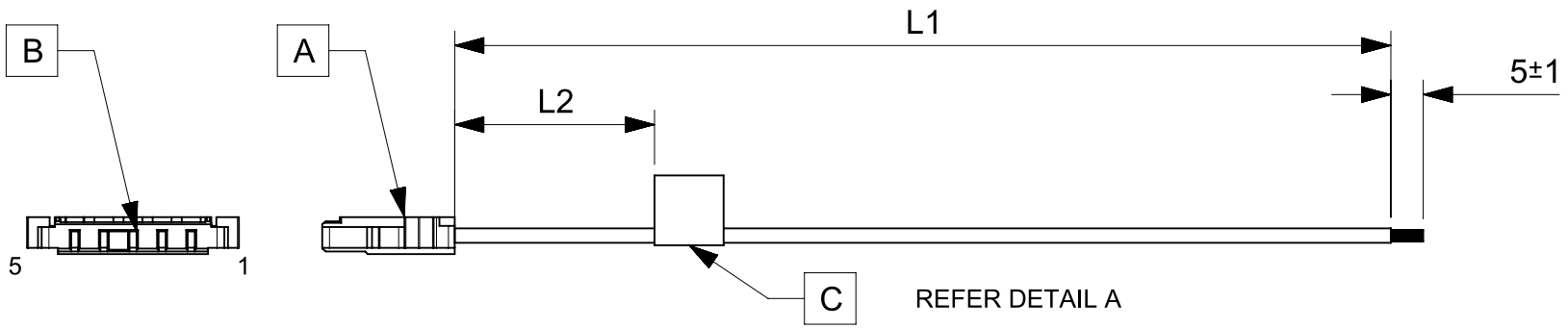


TABLE			
PART NUMBER	L1	L2 (REF)	TITLE
2196572050	50±3	15	Pico-Lock 2.0 R-S 5ckt 50mm disc Au
2196572051	100±3	15	Pico-Lock 2.0 R-S 5ckt 100mm disc Au
2196572052	150±4	15	Pico-Lock 2.0 R-S 5ckt 150mm disc Au
2196572053	300±4	15	Pico-Lock 2.0 R-S 5ckt 300mm disc Au
2196572054	600±6	15	Pico-Lock 2.0 R-S 5ckt 600mm disc Au

- NOTES**
1. Connector view shown is from mating side.
 2. Label text must be 2mm max. in height with Arial font.
 3. Label must be wrapped in Flag type on a single cable.
 4. Free ends must be stripped, twisted & tinned. The length of tinning is 5±1mm. Tinning Dia must be 1.25mm Max.

MOLEX P/N
MOLEX
BATCH WK/YR
DETAIL A

REVISION			
DATE	REV	DESCRIPTION	CHANGER
2021/12/27	A	INITIAL RELEASE	SAIKIG

FUNCTIONAL SYMBOLS $\nabla_A = 0$ $\nabla_E = 0$ $\nabla_P = 0$	DIMENSION UNITS: mm SCALE: NTS		CURRENT REV DESC:		
	GENERAL TOLERANCES (UNLESS SPECIFIED)		<div style="text-align: center; font-size: 2em; font-weight: bold;">molex</div> <p>SEE TABLE</p> <p style="text-align: center;">PRODUCT CUSTOMER DRAWING</p>		
	ANGULAR TOL ± °				
	4 PLACES ±	EC NO: 690897			
3 PLACES ±	DRWN: SAIKIG 2021/12/27				
2 PLACES ±	CHK'D: MNARAYAN01 2022/01/13	APPR: MNARAYAN01 2022/01/13			
1 PLACE ±	INITIAL REVISION:		DOCUMENT NUMBER: 2196572050 DOC TYPE: PSD DOC PART: 000 REVISION: A		
0 PLACES ±	DRWN: SAIKIG 2021/12/27 APPR: MNARAYAN01 2022/01/13		MATERIAL NUMBER: SEE TABLE CUSTOMER: GENERAL MARKET SHEET NUMBER: 1 OF 1		
DRAFT WHERE APPLICABLE MUST REMAIN WITHIN DIMENSIONS		THIRD ANGLE PROJECTION	DRAWING: A4-SIZE	SERIES: 219657	