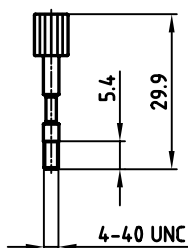
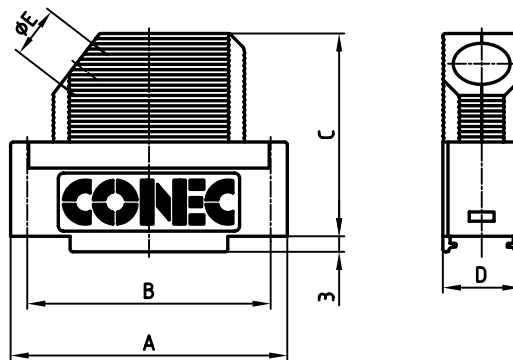
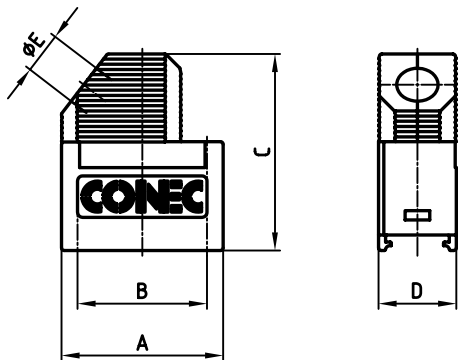


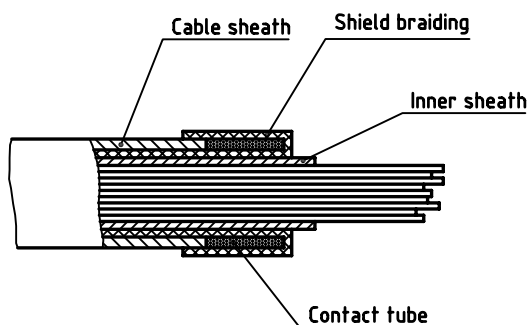
used for: D-SUB

9 way

15 - 50 way



Metal screw with plastic head



No. of pos.	A	B	C	D	ØE	Part no:
9	31.30	25.0	35.15	15.0	8.0	165X11759X
15	39.62	33.3	39.15	15.0	9.0	165X11769X
25	53.52	47.0	39.15	15.0	11.0	165X11779X
37	69.80	63.5	39.15	15.0	11.0	165X11789X
50	67.41	61.1	39.15	19.0	14.5	165X11799X



THIS DRAWING MAY NOT BE COPIED OR REPRODUCED IN ANY WAY, AND MAY NOT BE PASSED ON TO A THIRD PARTY, WITHOUT WRITTEN PERMISSION. OWNERSHIP AND COPYRIGHT OF CONEC GmbH. DO NOT ALTER CAD DRAWING BY HAND

tolerance		
2002	date	name
drawn	29.01.	Parei
appd.	30.01.	E. Mickenbecker
norm	DIN 41652	
d-old	KAT113AA	
CONEC		
rev.	description	date name

scale:	1:1	
material:	Polycarbonat + GF black	
title:	Plastic Hood with side cable exit with shielding, 9 - 50 pos.	
dwg no:	AutoCAD 2000	DIN-A
	16K1A463A	3
part no:	SEE TABLE	
		sh: 1/1