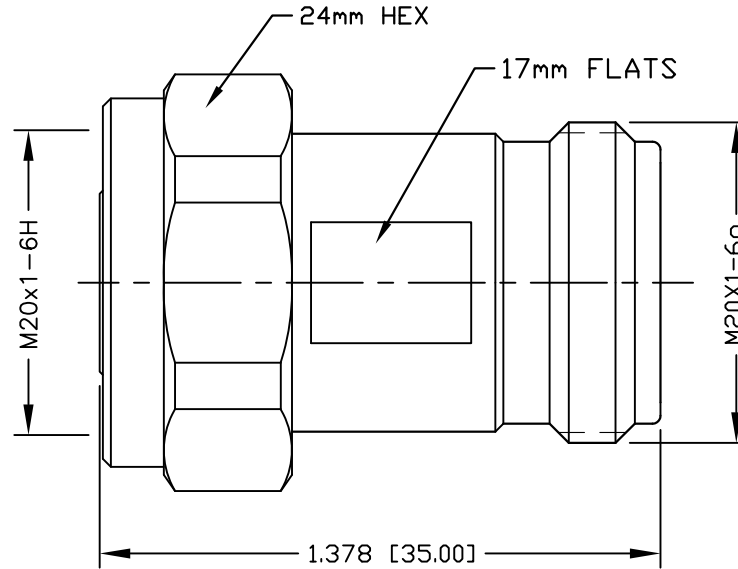


PART NO.		RFD-4195-1950		
REV	DESCRIPTION	DWN	DATE	APPROVED
-	ENGINEERING RELEASE	CZ	10/21/21	JDMc



SPECIFICATIONS:

IMPEDANCE: 50Ω
 FREQUENCY RANGE: 0-3 GHz
 VSWR: 1.1:1 @ 3 GHz
 INSERTION LOSS(dB): $.01 \times \sqrt{f}(\text{GHz})$
 3RD INTERMODULATION: ≤ -155 dBc @ 700 MHz
 INSULATION RESISTANCE: 5000 MΩ
 DIELECTRIC WITHSTANDING VOLTAGE: ≥ 2500 VRMS,
 50Hz, @ SEA LEVEL
 DURABILITY: 500 MATING CYCLES
 TEMPERATURE RANGE: -40°C TO 85°C

6	COUPLING NUT	1	BRASS	CuSnZn
5	RETAINING RING	1	Be.Cu.	CuSnZn
4	O-RING	1	SI RUBBER	---
3	CONTACT PIN	1	BRASS	SILVER
2	INSULATOR	1	PTFE	NATURAL
1	BODY	1	BRASS	CuSnZn
#	DESCRIPTION	QTY	MATERIAL	FINISH

CUSTOMER OUTLINE DRAWING	
ALL DIMENSIONS ARE REFERENCE ONLY	
UNLESS OTHERWISE SPECIFIED: DIMENSIONS ARE IN INCHES AND [MILLIMETERS]	
DRAWN C. ZUÑIGA	10/21/21
CHECKED	
ORJ DRAWN C. ZUÑIGA	10/21/21

RoHS COMPLIANT

PROPRIETARY AND CONFIDENTIAL

THIS DRAWING CONTAINS INFORMATION PROPRIETARY TO RF INDUSTRIES, ANY UNAUTHORIZED USE OF THIS DRAWING IS EXPRESSLY PROHIBITED WITHOUT WRITTEN PERMISSION FROM RF INDUSTRIES. ANY VIOLATION IS PUNISHABLE UNDER U.S. COPYRIGHT LAWS.

RFINDUSTRIES.COM
7610 MIRAMAR RD.
SAN DIEGO, CA 92126
(858) 549-6340

RFconnectors
DIVISION OF RF INDUSTRIES, LTD. (858) 549-6345 FAX

4.1-9.5 PLUG TO JACK ADAPTER

DWG # **RFD-4195-1950**

CABLE GROUP	CONTROL #	SCALE	FORMAT	SHEET	REVISION
N/A	001787	NTS	A	1 OF 1	-