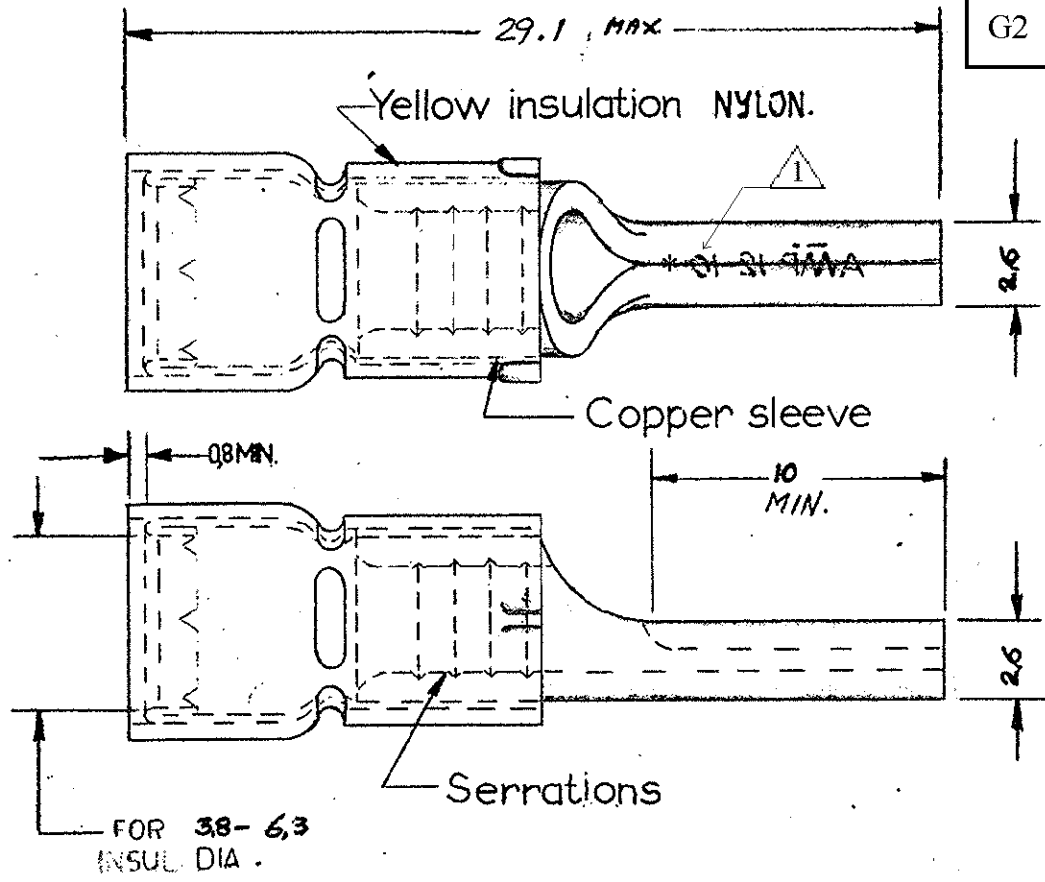


DIMENSIONS IN MM —DO NOT SCALE PRINT

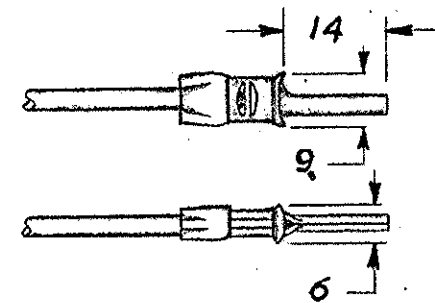
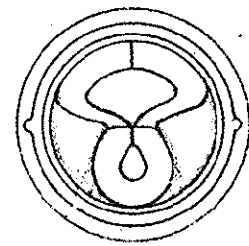
NUMBER
C-165049

LTR	REVISION RECORD	DATE	APPROVED
G2	REVISED PER ECO-14-003208	21MAR2014	DR



TE CONNECTIVITY NR	FINISH
165049	Tinplated

- ① STAMP AMP 12-10* APPROX AS SHOWN
- 2 UL RECOGNIZED FILE E13288
12-10 AWG STRANDED WIRE



CUSTOMER PRINT
FOR REFERENCE ONLY

-9	-8	-7	-6	-5	-4	-3	-2	-1	DWG SIZE	NUMBER	NAME	REMARKS	ITEM NO.	
REQUIRED PER ASSEMBLY									MATERIAL	HEAT TREAT	FINISH			
									Copper	~	Tinpl.			
									DR. <i>L. Horvath</i> 15-11-60	DATE APP. <i>M. Wintwog</i> 14/1/60	DATE REL	DATE		
									CHK. <i>M. Wintwog</i> 17/1/60	DATE APP. <i>M. Wintwog</i> 11/21-60	DATE FIRST USED	Tol ±0.2		
									TE Connectivity	TYPE G.P.	PRINT DIST	LOC HA	SIZE NUMBER C-165049	REV G2
									SCALE 4:1	WIRE SIZE 27-66	CMA	NAME	WIRE PIN PIDG	
									MAX. MIN.					
DESCRIPTION														