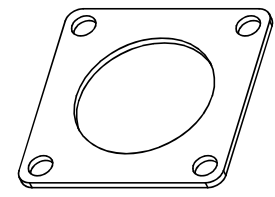
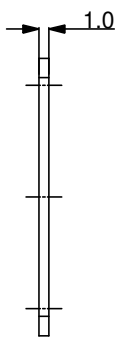
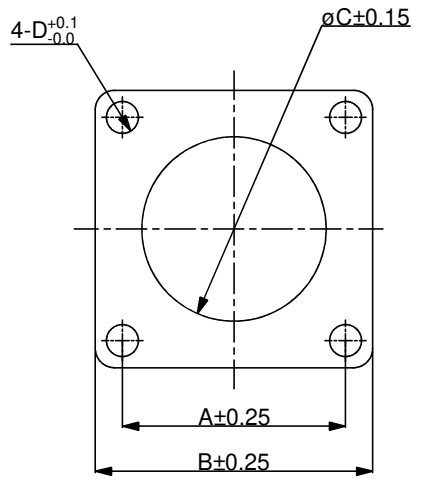


REVISIONS					
REV	ECO	DESCRIPTION	DATE	BY	APPR
B1	-	RELEASED DRAWING	JAN-18-2014	ARROW	TOMMY



- NOTES:
- 1.MATERIAL : EPDM(BLACK).
 - 2.SEALING FOR WALL MOUNTING RECEPTACLES.
 - 3.SUITABLE FOR RTG-RT0-RT0W.

PART NO:	SHELL	A	B	C	D
RTFD10B	10	18.3	23.8	15.9	3.3
RTFD12B	12	20.6	26.2	19.0	3.3
RTFD14B	14	23.0	28.6	22.2	3.3
RTFD16B	16	24.6	31.0	25.4	3.3
RTFD18B	18	27.0	33.3	28.6	3.3
RTFD20B	20	29.4	36.5	31.8	4.3
RTFD24B	24	34.9	42.5	38.2	4.3

QUANTITY	PART NUMBER	DESCRIPTION	ITEM
MATERIALS LIST			
<small>UNLESS OTHERWISE SPECIFIED</small> 1) All dimensions are in metric(mm). 2) Tolerances are as follows: 1 PL DEC ±0.30 Fractions: ±1/64 2 PL DEC ±0.15 Angles: ±1° 3 PL DEC ±0.08 3) Note reference =		SIGNATURES DRAWN: ARROW CHECKED: ENGINEER: APPROVAL:	DATE JAN-17-2014
<small>MATERIAL SPECIFICATIONS:</small> CUSTOMER:		 Sine Systems - www.amphenol-sine.com 44724 Morley Drive Clinton Township, MI 48036	
<small>PROCESS SPECIFICATIONS:</small> THIS DRAWING IS SUPPLIED FOR INFORMATION ONLY. DESIGN FEATURES, SPECIFICATIONS AND PERFORMANCE DATA SHOWN HEREON ARE THE PROPERTY OF THE AMPHENOL CORPORATION. NO RIGHTS OF REPRODUCTION ARE IMPLIED. ALL DIMENSIONS ARE SUBJECT TO NORMAL MANUFACTURING VARIATIONS.		SIZE B C-	DWG NO: RTFDxxB
<small>NEXT ASSY:</small>		SCALE: NONE	REVISION B1
			SHEET 1 OF 1

TITLE: ECO-MATE GASKET RT 360 SERIES
 DWG NO: RTFDxxB
 REV: B1
 SH: 1
 OF: 1