

This information is confidential and is disclosed to you on condition that no further disclosure is made by you to other than T&B Personnel without written authorization from THOMAS & BETTS INTERNATIONAL



FLEXSTRIP\* JUMPERS

2/86

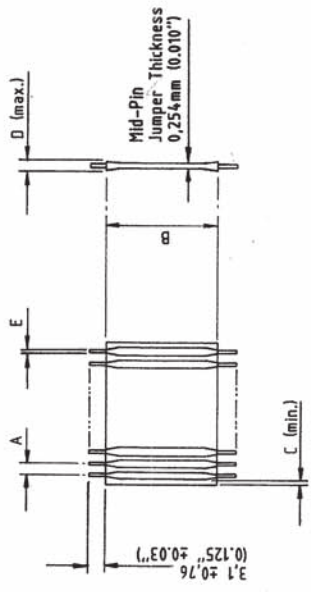
† CONDUCTOR PITCH "A"	MARGIN C (min.)	THICKNESS D (MAX.)	PIN DIAMETER E ±0.025 (±0.001")	NUMBER OF CONDUCTORS	
				min.	max.
Cat. Ref. mm (inch.)	mm (inch.)	mm (inch.)	mm (inch.)	min.	max.
1 1.27 .050"	0.25 .010"	0.64 .025"	0.320 .0126"	2	30
6 1.90 .075"	0.38 .015"	0.84 .033"	0.404 .0159"	2	30
2 2.54 .100"	0.51 .020"	0.84 .033"	0.511 .0201"	2	30
3 3.18 .125"	1.52 .060"	0.84 .033"	0.511 .0201"	2	25
4 3.81 .150"	1.52 .060"	0.84 .033"	0.511 .0201"	2	20
5 5.08 .200"	1.52 .060"	0.84 .033"	0.511 .0201"	2	15

Dimensions are shown in mm (inches.)  
 † Tolerance on Pitch ±0.25 (0.01") non-cumulative.

INSULATION LENGTH B ±1.57 (±0.062")	
mm	Cat. Ref.
25.4	1
38.1	1 1/2
50.8	2
63.5	2 1/2
76.2	3
88.9	3 1/2
101.6	4
114.3	4 1/2
127	5
139.7	5 1/2
152.4	6

PROPERTIES :-  
 Insulation Material - Nomex #  
 Temperature Rating - 105°C  
 Current Rating - 2 amps  
 U.L. Style Number - 5188

NOTES:-  
 \* Trademark of Thomas & Betts Corporation  
 # Registered trademark of E.I. Du Pont de Nemours



CATALOGUE NUMBERING SYSTEM

FSN-XXA-X  
 Product Code  
 Conductor Pitch (see table for ref' N\*)  
 Insulation Length (see table for ref' N\*)  
 Number of Conductors (see table for max number)  
 Straight Pin

EXAMPLE:-

FSN -22A - 15  
 FSN - Flexstrip Jumper With Nomex Insulation  
 2 - Conductor Pitch 2.54 (0.100)  
 2 - Insulation Length 50.8 (2)  
 A - Straight Pin  
 15 - Number of Conductors 15

T&B THOMAS & BETTS INTERNATIONAL  
 EUROPEAN ENGINEERING DIVISION

DRG. N° 35-10018



THIRD ANGLE PROJECTION

IMPERIAL DIMENSIONS SHOWN THUS ( )  
 0000 EQUALS ± 0.002  
 0000 EQUALS ± 0.003  
 0000 EQUALS ± 0.015

NATURAL	HEAT TREAT	FINISH	SCALE	DR	CH	APP.
PART NAME						
PROJECT CODE						
FSN-13A-10						
tyco C 4-1437132-5						
Electronics REV 0 SH 1 of 1						
DATE	BY	DESCRIPTION	REV			
			0			

NUMBER A2