

## FEATURES

- ▶ RED, GREEN OR BLUE LED
- ▶ Bezel mount or 180° bracket mounting in multiple planes
- ▶ Resistant to RF and EMI
- ▶ Durable metal case
- ▶ Highly visible 2.3" LED display
- ▶ Multifunction loop, set voltage, adjustable voltage inputs, all included
- ▶ Isolated AC/DC supply works in many control applications



## SPECIFICATIONS

### DISPLAY

Digits: 3 ½ digits ( $\pm 1999$  counts)  
 Type: 2.3" (58.4mm) - 7 segment LED red, green or blue digits

### INPUTS

Set Voltage Ranges:  $\pm 200$  mV,  $\pm 2$  V,  $\pm 20$  VDC  
 Configuration: bipolar differential  
 Protection:  $\pm 350$  VDC, ( $\pm 100$  VDC on 200 mV range)  
 Impedance:  $>1$  M $\Omega$ , ( $>10$  M $\Omega$  on 200 mV range)  
 Adj. Voltage Ranges: 200 mV, 5 V, 10 VDC  
 Offset Range: -1999 to +1999  
 Gain Range: 1 to 1000  
 4-20mA Loop Ranges: 4 to 20mA DC  
 Configuration: bipolar differential  
 Protection:  $\pm 30$  mA  
 Loop Impedance: 300 $\Omega$  nominal

### PERFORMANCE

Accuracy:  $\pm (0.1\% \text{ fs} + 1 \text{ count})$   
 Conversion Rate: 3 per second  
 Normal Mode Rejection:  $>30$  dB @ 60 Hz  
 Common Mode Rej.:  $>86$  dB  
 Zero Adjustment: automatic on set voltage ranges  
 Warmup: 10 minutes typical  
 Temperature Coeff.:  $\pm 100$  ppm per  $^{\circ}\text{C}$  typical

### ENVIRONMENT

Operating Range: -10 to 50  $^{\circ}\text{C}$   
 Storage Range: -40 to 75  $^{\circ}\text{C}$

### POWER SUPPLY

BDR-999: 90 to 250 VAC @ 12 VA  
 BDR-924: 10.5 to 30 VAC/DC @ 6 VA

### MOUNTING

180° gimbal mounting with 30° stops,  
 or bezel mount

### CONNECTION

screw terminals

## ORDERING INFO

PART NUMBER	METER POWER	COLOR
BDR-999R.....	90 - 250 VAC .....	RED
BDR-999G.....	90 - 250 VAC .....	GREEN
BDR-999B.....	90 - 250 VAC .....	BLUE
BDR-924R.....	10.5 - 30 VAC/DC.....	RED
BDR-924G.....	10.5 - 30 VAC/DC.....	GREEN
BDR-924B.....	10.5 - 30 VAC/DC.....	BLUE

### ACCESSORIES

CVC ..... Calibrator

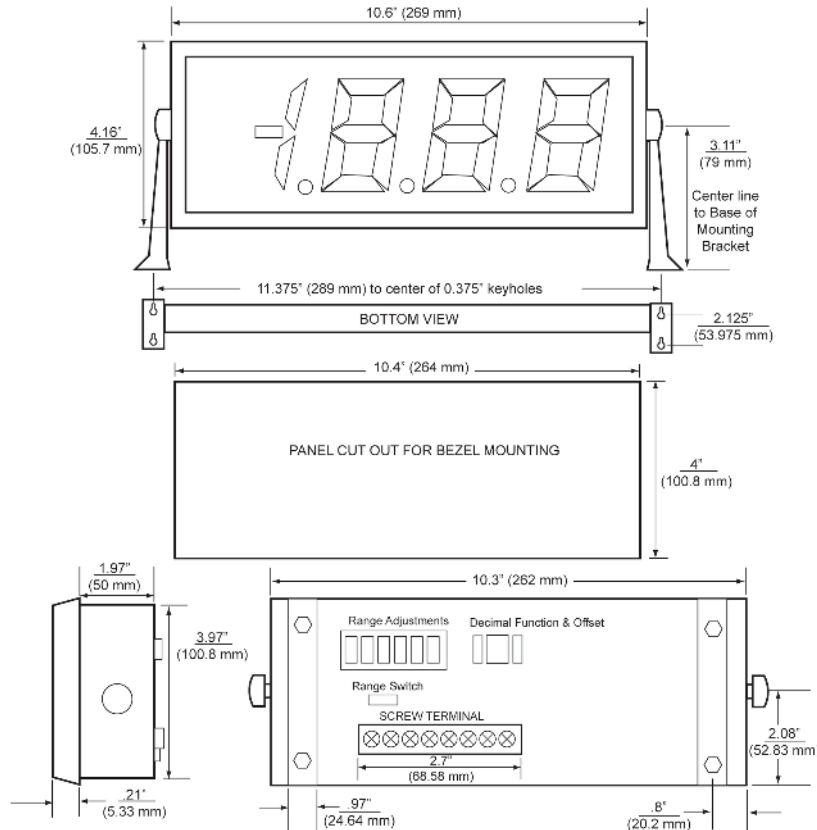


Specifications Installation and Operating Instructions  
**LED Digital Panel Meters**  
 2.3" Numeral Multifunction Meter LARGE 3½ Digit LED Display

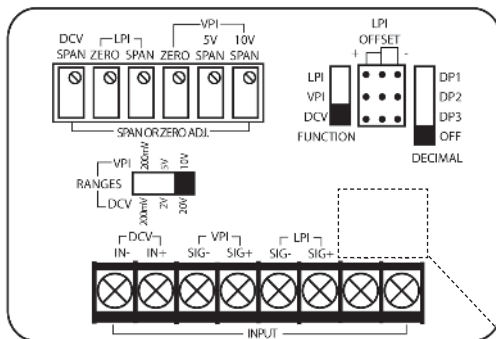
**BDR Series**



**DIMENSIONS**



**WIRING & CALIBRATION**



1. Set function switch in correct position (LPI, VPI, DCV).
2. Set voltage input range switch in correct position (200mV, 2V/5V, 20V/10V).
3. Attach input wires to appropriate screw terminals.
4. Attach power wires to AC/DC power screw terminals.
5. Power unit up.
6. Apply lowest input into meter, adjust correct zero pot for required reading (N/A on DCV function).
7. Apply highest input into meter, adjust correct span pot for required reading.
8. Recheck zero input and adjust again as needed.
9. Check reading at mid-point for required reading.
10. Select appropriate decimal as required.

\* LPI OFFSET PIN POSITIONS

In "+" position enables user to have negative zero readings.  
 In "-" position enables user to have positive zero readings.

AC POWER  
 [90V - 250V]  
 AC AC  
**(BDR-999)**

OR

AC POWER  
 [10.5V - 30V]  
 AC or DC  
**(BDR-924)**