

P	LTR	DESCRIPTION	DATE	DWN	APVD
A		INITIAL RELEASE	08JUL2019	V.T	I.Y
B		ECR-20-002162	14FEB2020	V.T	E.J
B1		ECR-20-003434	07MAR2020	V.T	E.J
B2		ECR-20-010594	29JUL2020	V.T	E.J

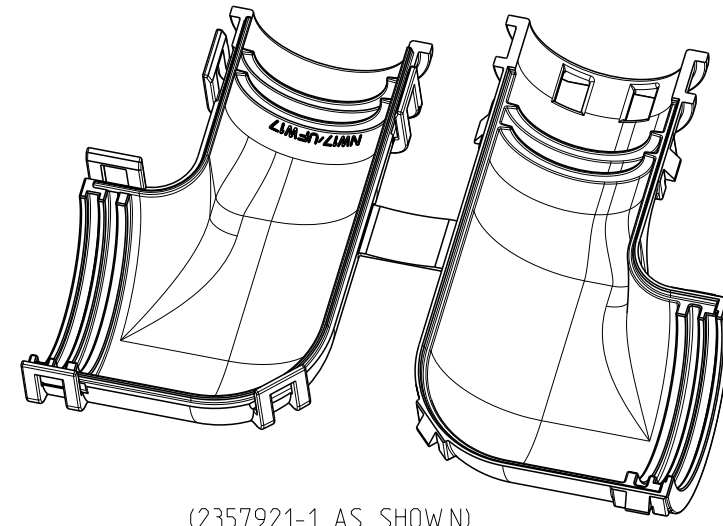
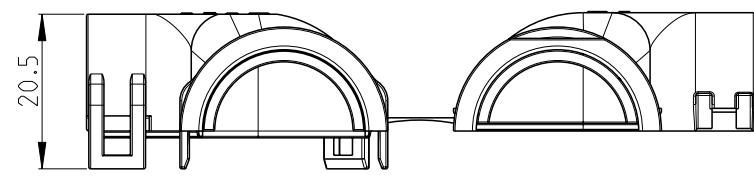
NOTES:

1.MATERIAL: PA6 COLOUR:BLACK.

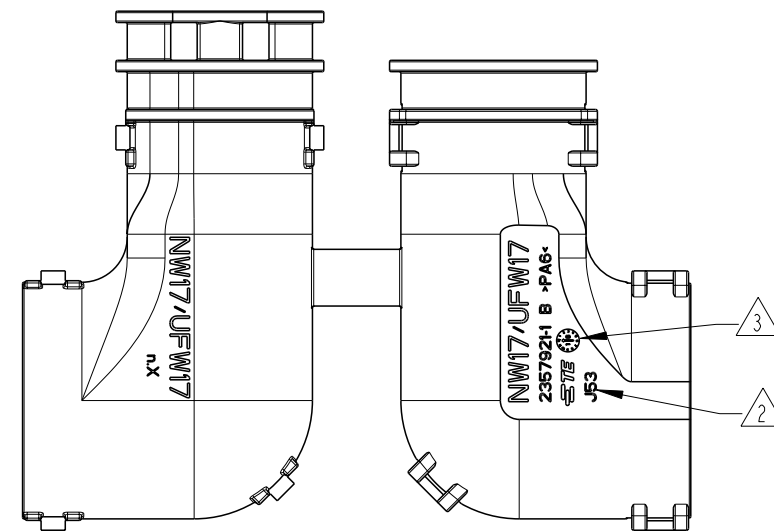
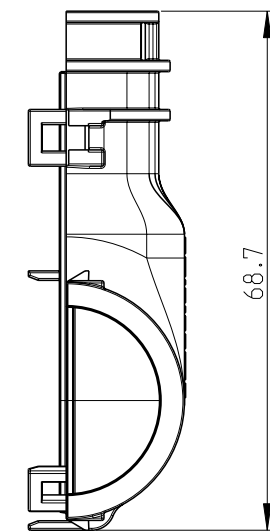
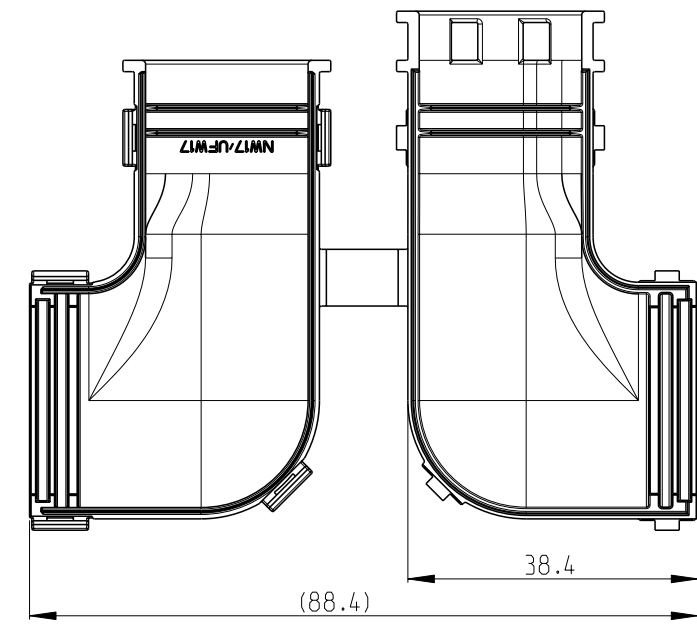
2.MANUFACTURING LOCATION.

3.DATE CODE.

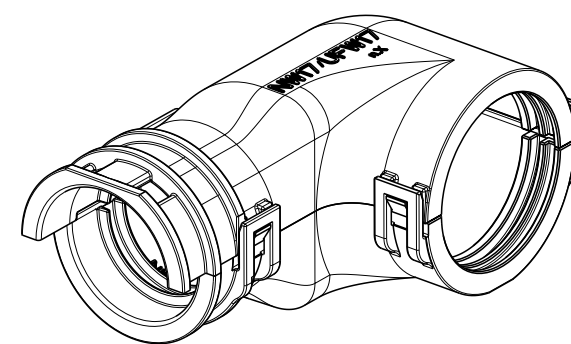
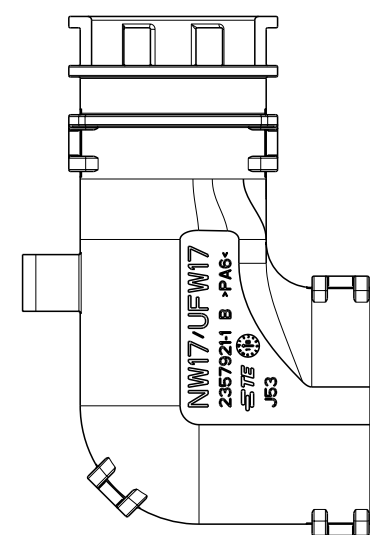
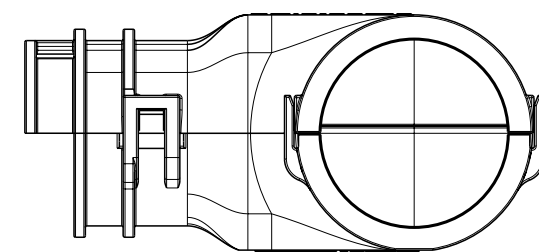
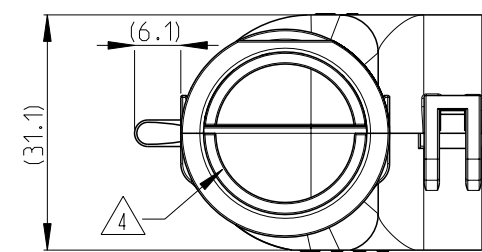
4.P/N:2357921-1 FOR CORRUGATED TUBE: NW 17&UFW 17. OR NW 16 IF CONFIRMED.



(2357921-1 AS SHOWN)



CLOSED (MOUNTED) CONDITION 2357921-1 AS SHOWN



2357921-1	MATING WITH 180° BACKSHELL
PART NO.	REMARK

THIS DRAWING IS A CONTROLLED DOCUMENT.		DWN	V. TANG	23JUN2019	TE Connectivity NAME 90 DEGREE BACKSHELL NTS 20P SERIES
DIMENSIONS:		CHK	E. JIANG	24JUN2019	
mm		APVD	I. YIN	25JUN2019	
TOLERANCES UNLESS OTHERWISE SPECIFIED: 0 PLC ± 1 PLC ±0.25 2 PLC ±0.15 3 PLC ± 4 PLC ± ANGLES ±2° FINISH -		PRODUCT SPEC	108-32297	APPLICATION SPEC	
MATERIAL	SEE NOTES	WEIGHT	-	-	SIZE A2
-		CUSTOMER DRAWING		SCALE	1:1
-		-		SHEET	1 OF 1
-		-		REV	B2