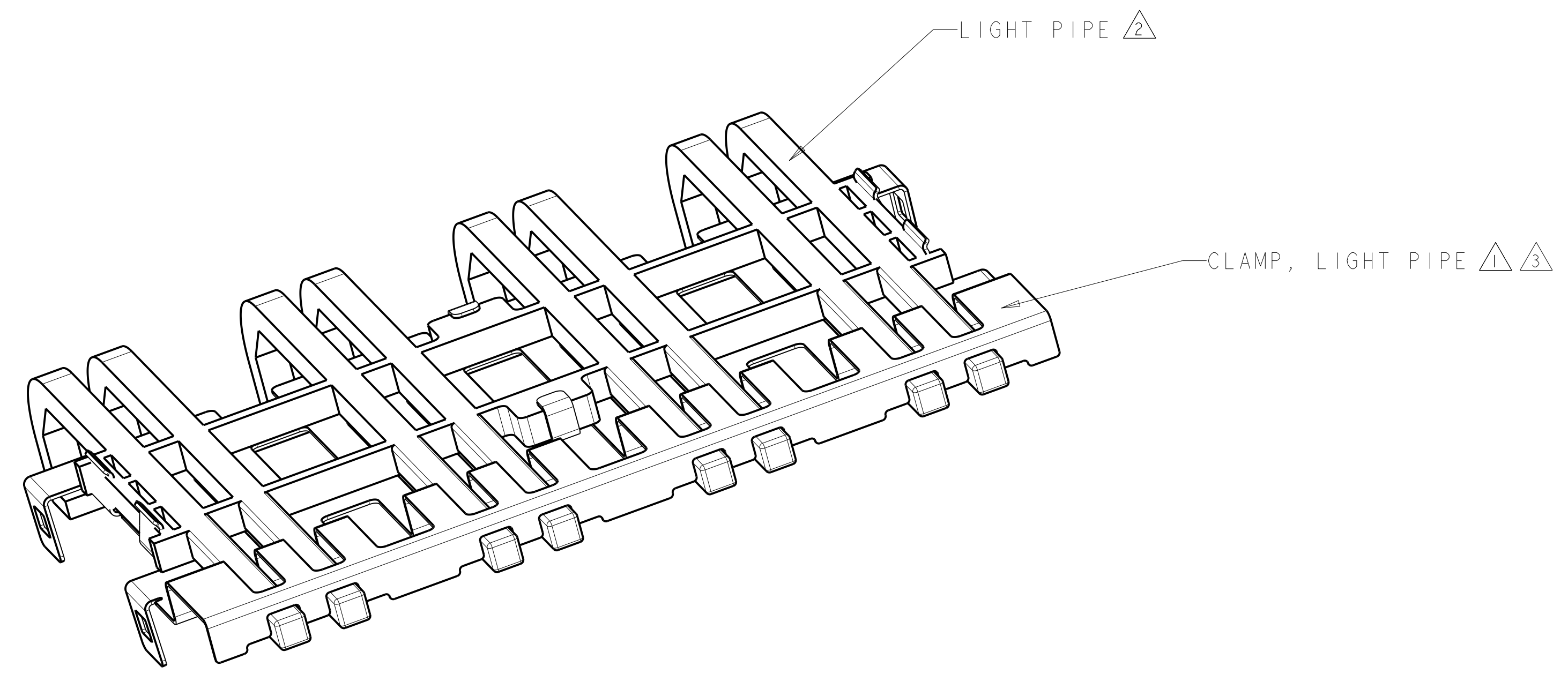
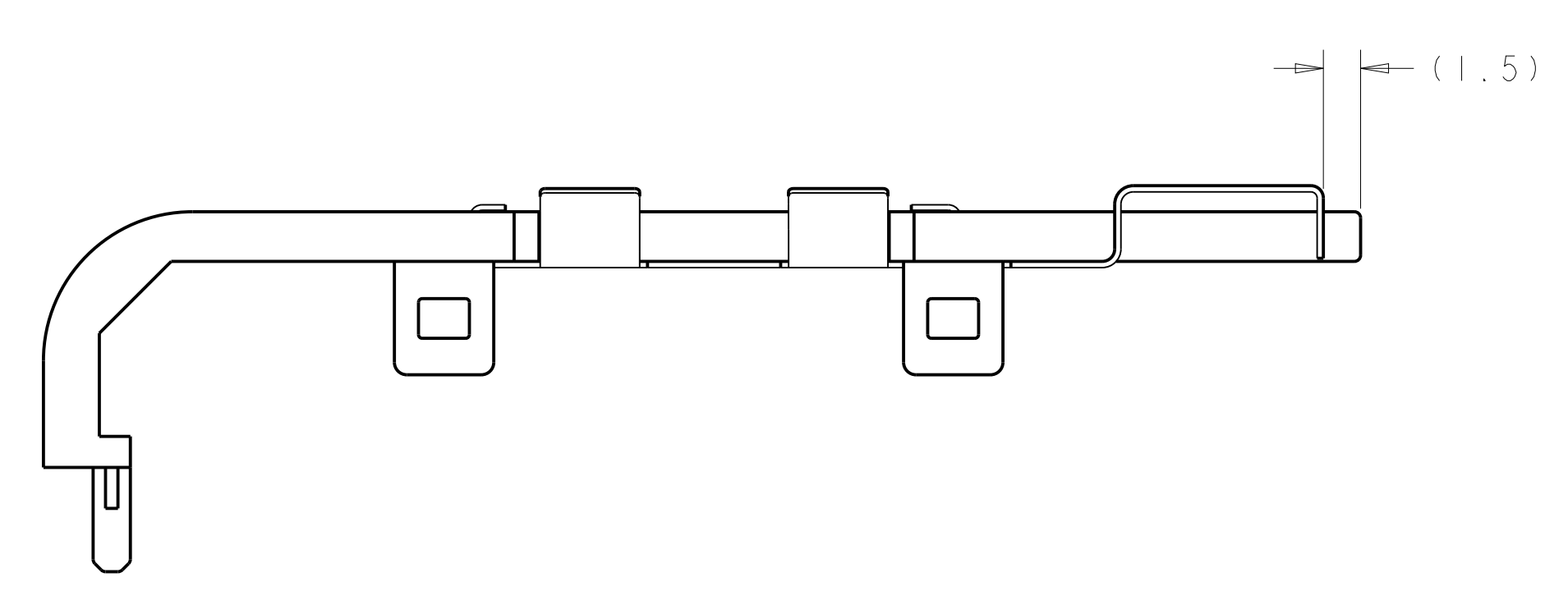
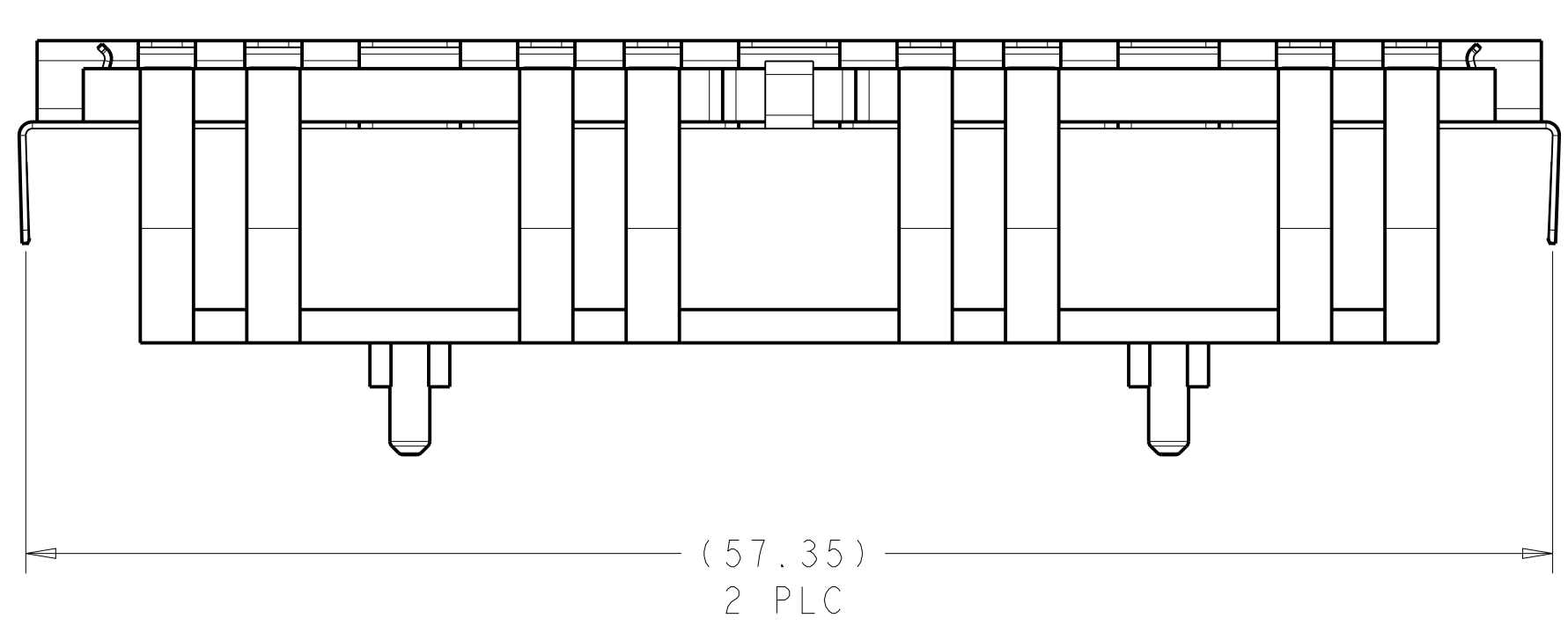


LOC	DIST	REVISIONS					
		P.	LTN	DESCRIPTION	DATE	DWN	APVD
GP	00			PROPOSED DESIGN	09MAR2004	WVS	MJP
		A		RELEASED PER EC-OS13-0325-04	08JUL2004	MHC	JRK
		A1		REVISED PER ECO-07-011809	21MAY2007	ZMR	JRK
		A2		REVISED PER ECO-14-010419	11JUL2014	JW	SH



- △ COPPER ALLOY, TIN PLATED PER ASTM B 545, 1.25 μm MINIMUM THICKNESS, OVER NICKEL FLASH PER QQ-N-290. NON PLATED EDGES ARE PERMISSIBLE
- △ POLYCARBONATE, CLEAR.
- △ NICKEL SILVER ALLOY(NO PLATING)



△3	IX4 LIGHT PIPE KIT	1761012-3
△1	IX4 LIGHT PIPE KIT	1761012-1
CLAMP MATERIAL	DESCRIPTION	PART NO

THIS DRAWING IS A CONTROLLED DOCUMENT. DWN: W. VAN SCYOC, 09MAR2004
 CHK: M. J. PHILLIPS, 09MAR2004
 APVD: M. J. PHILLIPS, 09MAR2004

TE TE Connectivity

NAME: ASSEMBLY, LIGHT PIPE KIT
 1X4, SFP

SIZE: A1 CAGE CODE: 1761012 DRAWING NO: 1761012-1 RESTRICTED TO: -

MATERIAL: - FINISH: - WEIGHT: - SCALE: 4:1 SHEET 1 OF 1 REV: A2

CUSTOMER DRAWING