

PT-G7728/G7828 Series

IEC 61850-3 28-port full gigabit modular managed Ethernet switches



- > IEC 61850-3 Edition 2 Class 2 compliant
- > Hot-swappable interface modules and power modules
- > Built-in MMS server based on IEC 61850-90-4 switch data modeling for Power SCADA
- > IEEE 1588 hardware time stamp supported
- > V-ON™ ensures millisecond-level multicast data and video network recovery



Introduction

The PT-G7728/G7828 modular switches provide up to 28 gigabit ports, including 4 fixed ports, 6 interface module slots, and 2 power module slots to ensure sufficient flexibility for a variety of applications. The PT-G7728/G7828 switches are designed to meet evolving network requirements, including a hot-swappable module design that enables you to change or add devices without shutting down your device.

The multiple Ethernet modules (RJ45, SFP, PoE) and power units (24/48 VDC, 110/220 VAC/VDC) available provide even greater flexibility as well as suitability for different operating conditions. The switches support a full gigabit platform that provides enough bandwidth to set up an Ethernet backbone. Certifications include IEC 61850 Edition 2 Class 2 to ensure high availability and wide usage.

Specifications

Technology

Standards:

- IEEE 802.3 for 10BaseT
- IEEE 802.3u for 100BaseT(X) and 100BaseFX
- IEEE 802.3ab for 1000BaseT(X)
- IEEE 802.3z for 1000BaseX
- IEEE 802.3x for Flow Control
- IEEE 802.1D-2004 for Spanning Tree Protocol
- IEEE 802.1w for Rapid Spanning Tree Protocol
- IEEE 802.1Q for VLAN Tagging
- IEEE 802.1p for Class of Service
- IEEE 802.1X for Authentication
- IEEE 802.3ad for Port Trunk with LACP

Software Features

Management: IPv4/IPv6*, SNMPv1/v2c/v3, DHCP Server/Client, DHCP Option 66/67/82, BootP, TFTP, SNMP, SMTP, RARP, RMON, HTTP, HTTPS, Telnet, SNMP Inform, LLDP, Flow Control, Back Pressure Flow Control, Port Mirror, Fiber Check, Syslog, Dying Gasp

*IPv6 applies only to the PT-G7728 model.

Filter: IGMPv1/v2/v3, GMRP, GVRP, 802.1Q, Q-in-Q VLAN

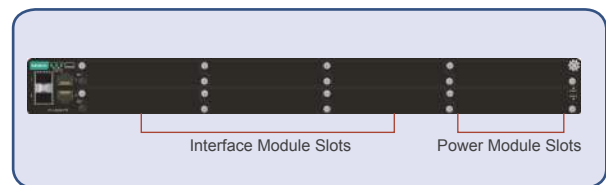
Redundancy Protocols: STP/RSTP, MSTP, Turbo Ring v1/v2, Turbo Chain, Link Aggregation

Security: RADIUS, TACACS+, SSL, SSH, Port Lock, Broadcast Storm Protection, MAC Authentication Bypass, MAC Sticky, Access Control Lists

Unicast Routing: Static Routing, RIP V1/V2, OSPF (PT-G7828)

Multicast Routing: DVMRP, PIM-DM (PT-G7828)

Modular Rackmount Ethernet Switch System, PT-G7728/G7828



Time Management: SNTP, NTP Server/Client, IEEE 1588v2 PTP (hardware-based)

Industrial Protocols: EtherNet/IP, Modbus/TCP

MIB: MIB-II, Ethernet-like MIB, P-BRIDGE MIB, Q-BRIDGE MIB, Bridge MIB, RSTP MIB, RMON MIB Group 1, 2, 3, 9

Routing Redundancy: VRRP (PT-G7828)

Power Substation: MMS, IEC 61850 QoS

Switch Properties

Priority Queues: 8

Max. Number of VLANs: 512

VLAN ID Range: VID 1 to 4094

IGMP Groups: 4096

MAC Table Size: 16K

Packet Buffer Size: 12 Mbits

Jumbo Frame Size: 9.6 KB

Interface

Port Types: Supports up to 28 ports:

- 4 fixed ports:
2 10/100/1000BaseT(X) ports and 2 100/1000BaseSFP ports
- 6 modular slots for 4-port interface modules that support 10/100/1000BaseT(X), PoE+ 10/100/1000BaseT(X), or 100/1000BaseSFP

Note: See the LM-7000H datasheet for Gigabit Ethernet module and PoE+ module information.

Console Port: Micro-B USB

Storage Port: USB storage port (Type A connector)

Power Requirements

Note: The power requirements depend on which power module is being used. Detailed information can be found in the PWR-HV/LV-P48 datasheet.

Input Voltage:

- with PWR-LV-P48 installed:
24/48 VDC for the switch system
48 VDC for PoE system
(53 to 57 VDC is recommended for PoE+ devices)
- with PWR-HV-P48 installed:
110/220 VDC/VAC
48 VDC for PoE system
(53 to 57 VDC is recommended for PoE+ devices)

Operating Voltage:

- with PWR-LV-P48 installed:
18 to 72 VDC for the switch system
46 to 57 VDC for PoE systems
- with PWR-HV-P48 installed:
88 to 300 VDC, 90 to 264 VAC
46 to 57 VDC for PoE systems

Input Current:

- with PWR-LV-P48 installed:
PWR input current (switch system)
Max. 0.49 A @ 24 VDC
Max. 0.25A @ 48 VDC
EPS input current (PoE System)
Max. 0.53 A @ 48 VDC
(excluding power consumption of PoE devices)

- with PWR-HV-P48 installed
PWR input current (switch system)
Max. 0.12 A @ 110 VDC
Max. 0.07 A @ 220 VDC
Max. 0.29 A @ 110 VAC
Max. 0.18 A @ 220 VAC
EPS input current (PoE System)
Max. 0.53 A @ 48 VDC
(excluding power consumption of PoE devices)

Physical Characteristics

IP Rating: IP30

Dimensions: 443 x 44 x 280 mm (17.44 x 1.73 x 11.02 in)

Weight: 3.08 kg (6.8 lb)

Installation: 19-inch rack mounting

Environmental Limits

Operating Temperature: -40 to 85°C (-40 to 185°F)

Storage Temperature: -40 to 85°C (-40 to 185°F)

Ambient Relative Humidity: 5 to 95% (non-condensing)

Standards and Certifications

Safety: UL 61010-2-201, EN 61010 (LVD) (Pending)

EMC: EN 55032, EN 55024

EMI: CISPR 22, FCC Part 15B Class A

EMS:

IEC 61000-4-2 ESD: Contact: 8 kV; Air: 15 kV

IEC 61000-4-3 RS: 80 MHz to 1 GHz: 20 V/m

IEC 61000-4-4 EFT: Power: 4 kV; Signal: 4 kV

IEC 61000-4-5 Surge: Power: 4 kV; Signal: 4 kV

IEC 61000-4-6 CS: 10 V

IEC 61000-4-8

Electrical Substations: IEC 61850-3 ed2 Class 2, IEEE 1613

Rail Traffic: EN 50121-4

MTBF (mean time between failures)

Time: 449,542 hrs

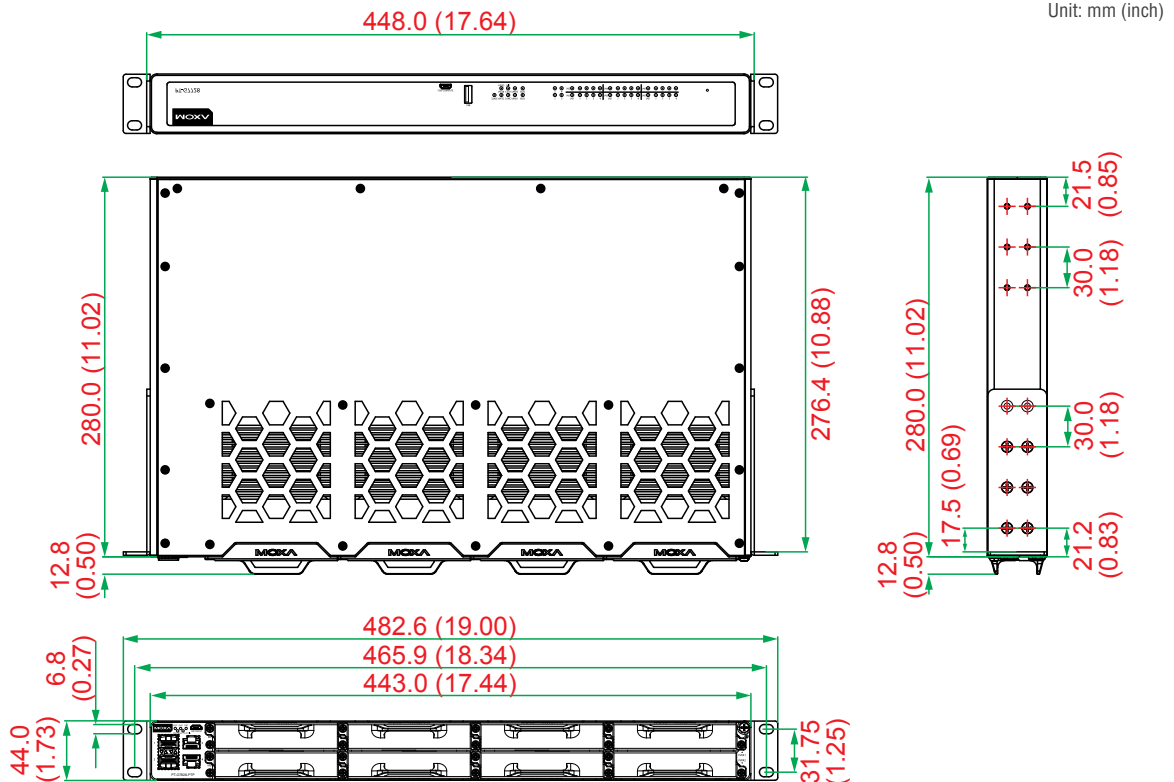
Standard: Telcordia (Bellcore), GB

Warranty

Warranty Period: 5 years

Details: See www.moxa.com/warranty

Dimensions



Ordering Information

Step 1: Select Ethernet switch system

PT-G7728 or PT-G7828



Step 2: Select power modules

PWR-HV-P48 or PWR-LV-P48



Step 3: Select interface modules

LM-7000H modules (Giga/PoE+ Ethernet)

Note: The PT-G7728/G7828 main system products are sold separately from the interface modules (LM-7000H Series), power modules (PWR-LV-P48, PWR-HV-P48), and dummy module (LM-7000H-DMY). See the PWR-HV/LV-P48 and LM-7000H datasheets for details on the power and interface modules.

Main System and Interface Modules

Models	Layer	Port Interface		
		10/100/1000 Base T(X)	100/1000 Base SFP*	PoE+ 10/100/1000BaseT(X)
Main System				
PT-G7728	2	2	2	–
PT-G7828	3	2	2	–
Interface Modules				
LM-7000H-4GTX	–	4	0	0
LM-7000H-4GSFP	–	0	4	0
LM-7000H-4GPoE	–	0	0	4

Note: The PT-G7728/G7828 series supports 100/1000BaseSFP slots. Please check the SFP-1G and SFP-1FE datasheets for SFP module product information.

Power Module Support List

Model Name	Input Voltage	Operating Voltage
PWR-LV-P48	24/48 VDC	18 to 72 VDC
PWR-HV-P48	110/220 VAC/VDC	88 to 300 VDC, 90 to 264 VAC

Note: The PT-G7728/G7828 series requires an external 48 VDC (46 to 57 VDC) power supply for PoE+ output.

Optional Accessories (can be purchased separately)

LM-7000H-DMY: 3 dummy modules for PT-G7728/G7828 Ethernet switches

MXview: Moxa industrial network management software with 50, 100, 250, 500, 1000, or 2000 nodes

EDS-SNMP OPC Server Pro: OPC server software that works with all SNMP devices

ABC-02 Series: Configuration backup and restoration tool for managed Ethernet switches

Package Checklist

- PT-G7728/G7828 switch
- USB cable (Type A male to Micro USB type B)
- 2 protective caps for unused ports
- 3 protective caps for unused USB ports
 - 2 caps for Micro-B USB
 - 1 cap for the USB storage port (Type A connector)
- 2 rackmount ears
- Quick installation guide
- Warranty card
- Substance Disclosure Table
- Product Certificate of Quality Inspection (Simplified Chinese)
- Product Notices (Simplified Chinese)

LM-7000H Series

Ethernet modules for PT-G7728/G7828 series switches

Specifications

LM-7000H Series



LM-7000H-4GTX



LM-7000H-4GSFP



LM-7000H-4GPoE

Note: See the SFP-1G and SFP-1FE datasheets for SFP module product information.

Interface

RJ45 Ports: 10/100/1000BaseT(X)

SFP Ports: 100/1000Base SFP

PoE Ports: 100/1000BaseT(X), IEEE 802.3af/at standards, Mode A

Power Requirements

Power Consumption:

LM-7000H-4GTX: 1.98 W

LM-7000H-4GSFP: 1.56 W

LM-7000H-4GPoE: 1.98 W (w/o PoE output)

Physical Characteristics

Weight:

LM-7000H-4GTX: 0.24 kg (0.53 lb)

LM-7000H-4GSFP: 0.3 kg (0.66 lb)

LM-7000H-4GPoE: 0.24 kg (0.53 lb)

MTBF (mean time between failures)

Time:

LM-7000H-4GTX: 2,641,729 hrs

LM-7000H-4GSFP: 2,475,903 hrs

LM-7000H-4GPoE: 1,280,518 hrs

Standard: Telcordia (Bellcore), GB

Warranty

Warranty Period: 5 years

Details: See www.moxa.com/warranty

Ordering Information

Compatible Ethernet Switch Systems

Ethernet Switch System:

PT-G7728/G7828



LM-7000H Series

Available Models	Port Interface		
	10/100/1000BaseT(X)	100/1000BaseSFP	PoE+ 10/100/1000BaseT(X)
LM-7000H-4GTX	4	–	–
LM-7000H-4GSFP	–	4	–
LM-7000H-4GPoE	–	–	4

Package Checklist

- LM-7000H series interface module
- Substance Disclosure table
- Product Certificate of Quality Inspection (Simplified Chinese)
- Product Notices (Simplified Chinese)
- Warranty card

PWR-HV/LV-P48 Series

Power modules for PT-G7728/G7828 series switches

Specifications

PWR-HV/LV-P48 Series



Power Requirements

Input Voltage:

- PWR-LV-P48:
24/48 VDC for the switch system
48 VDC for PoE systems
(53 to 57 VDC is recommended for PoE+ devices)
- PWR-HV-P48:
110/220 VDC/VAC
48 VDC for PoE systems
(53 to 57 VDC is recommended for PoE+ devices)

Operating Voltage:

- PWR-LV-P48:
18 to 72 VDC for the switch system
46 to 57 VDC for PoE systems
- PWR-HV-P48:
88 to 300 VDC, 90 to 264 VAC
46 to 57 VDC for PoE systems

Reverse Polarity Protection: Supported

Alarm Contact: 1 relay output with current carrying capacity of 2 A @ 30 VDC or 0.5 A @ 125 VAC

Physical Characteristics

Weight:

PWR-HV-P48: 0.3 kg (0.66 lb)
PWR-LV-P48: 0.3 kg (0.66 lb)

MTBF (mean time between failures)

Time:

PWR-HV-P48: 1,401,713 hrs
PWR-LV-P48: 1,372,587 hrs

Standard: Telcordia (Bellcore), GB

Warranty

Warranty Period: 5 years

Details: See www.moxa.com/warranty

Ordering Information

Compatible Ethernet Switch Systems

Ethernet Switch System:

PT-G7728/G7828



Power Module Information

Model Name	Input Voltage	Operating Voltage
PWR-LV-P48	24/48 VDC	18 to 72 VDC
PWR-HV-P48	110/220 VDC/VAC	88 to 300 VDC, 90 to 264 VAC

Package Checklist

- PWR series power unit
- Substance Disclosure table
- Product Certificate of Quality Inspection (Simplified Chinese)
- Product Notices (Simplified Chinese)
- Warranty card

SFP-1G Series

1-port Gigabit Ethernet SFP modules



- > Digital Diagnostic Monitor Function
- > -40 to 85°C operating temperature range (T models)
- > IEEE 802.3z compliant
- > Differential LVPECL inputs and outputs
- > TTL signal detect indicator
- > Hot pluggable LC duplex connector
- > Class 1 laser product, complies with EN 60825-1



Specifications

Interface

Ethernet Ports: 1

Connectors: Duplex LC Connector or Simplex LC Connector (WDM-type only)

Optical Fiber

		Gigabit Ethernet SFP									
		SFP-SX		SFP-LSX		SFP-LX	SFP-LH	SFP-LHX	SFP-ZX	SFP-EZX	SFP-EZX-120
Transceiver Type		Multi-Mode		Multi-Mode		Single-Mode	Single-Mode	Single-Mode	Single-Mode	Single-Mode	Single-Mode
Fiber Cable Type		OM1	OM2	OM2	OM1	G.652	G.652	G.652	G.652	G.652	G.652
Typical Distance		300 m	550 m	1 km	2 km	10 km	30 km	40 km	80 km	110 km	120 km
Wave-length	Typical (nm)	850		1310		1310	1310	1310	1550	1550	1550
	TX Range (nm)	830 to 860		1270 to 1355		1280 to 1355	1280 to 1355	1280 to 1340	1530 to 1570	1530 to 1570	1530 to 1570
	RX Range (nm)	770 to 860		1260 to 1610		1260 to 1610	1260 to 1610	1260 to 1610	1260 to 1610	1260 to 1610	1100 to 1600
Optical Power	TX Range (dBm)	-4 to -9.5		-1 to -9		-3 to -9	-3 to -8	+3 to -4	+5 to 0	+5 to 0	+3 to -2
	RX Range (dBm)	0 to -18		-1 to -19		-3 to -21	-3 to -23	-1 to -24	-1 to -24	-9 to -30	-8 to -33
	Link Budget (dB)	8.5		10		12	15	20	24	30	31
	Dispersion Penalty (dB)	4.3	3.6	5	5	1	1	1	1	1	2

Note: When connecting the SFP-LHX, ZX, EZX, or EZX-120, we recommended using an attenuator to prevent the transceiver from being damaged by excessive optical power.

		WDM Gigabit Ethernet SFP											
		SFP-10A		SFP-10B		SFP-20A		SFP-20B		SFP-40A		SFP-40B	
Transceiver Type		Single-Mode				Single-Mode				Single-Mode			
Fiber Cable Type		G.652				G.652				G.652			
Typical Distance		10 km				20 km				40 km			
Wave-length	Typical (nm)	TX 1310, RX 1550		TX 1550, RX 1310		TX 1310, RX 1550		TX 1550, RX 1310		TX 1310, RX 1550		TX 1550, RX 1310	
	TX Range (nm)	1270 to 1355		1530 to 1570		1270 to 1355		1530 to 1570		1290 to 1330		1530 to 1570	
	RX Range (nm)	1480 to 1580		1260 to 1360		1480 to 1580		1260 to 1360		1480 to 1580		1260 to 1360	
Optical Power	TX Range (dBm)	-3 to -9				-2 to -8				+2 to -3			
	RX Range (dBm)	-3 to -21				-2 to -23				-1 to -23			
	Link Budget (dB)	12				15				20			
	Dispersion Penalty (dB)	2				3				1			

Note: WDM-type SFP modules must be used in pairs (e.g., SFP-1G10ALC and SFP-1G10BLC)

Note: When connecting the SFP-40A and 40B, we recommend using an attenuator to prevent damage caused by excessive optical power.

Typical Distance: To reach the typical distance of specified fiber transceiver, please refer to formula: Link budget(dB) > dispersion penalty(dB) + total link loss(dB).

Power Requirements

Power Consumption: Max. 1 W

Environmental Limits

Operating Temperature:

Standard Models: 0 to 60°C (32 to 140°F)

Wide Temp. Models: -40 to 85°C (-40 to 185°F)

Storage Temperature: -40 to 85°C (-40 to 185°F)

Ambient Relative Humidity: 5 to 95% (non-condensing)

Standards and Certifications

Safety: CE, FCC, TÜV (EN 60825), UL 60950-1

Marine: DNV, GL

Warranty

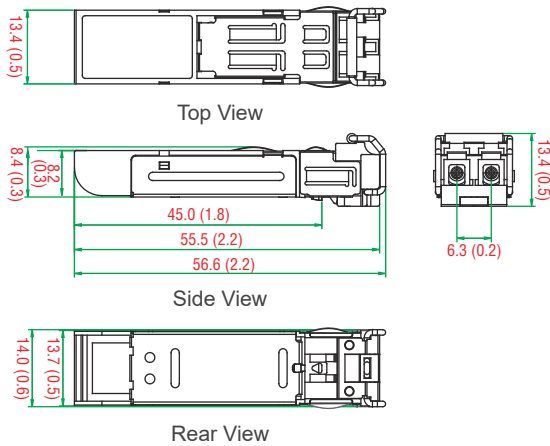
Warranty Period: 5 years

Details: See www.moxa.com/warranty

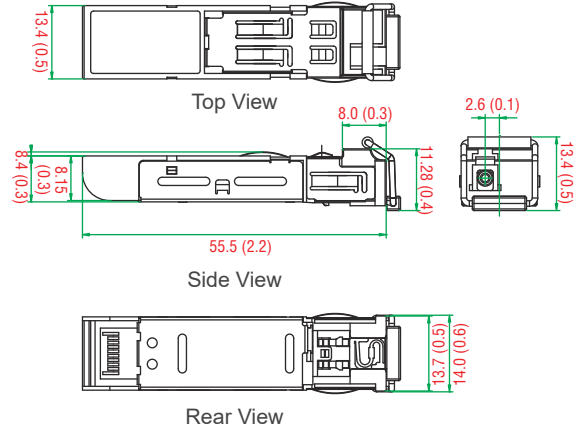
Dimensions

Unit: mm (inch)

SFP-1G Series



SFP-1G Series (WDM Type)



Ordering Information

Gigabit Ethernet SFP Models				WDM Gigabit Ethernet SFP Models			
Standard Temperature Models (0 to 60°C)	Wide Temperature Models (-40 to 85°C)	Tranceiver Type	Typical Distance	Standard Temperature (0 to 60°C)	Wide Temperature (-40 to 85°C)	Tranceiver Type	Typical Distance
SFP-1GSXLC	SFP-1GSXLC-T*	Multi-Mode	300/550 m	SFP-1G10ALC	SFP-1G10ALC-T	Single-Mode	10 km
SFP-1GLSXLC	SFP-1GLSXLC-T	Multi-Mode	1/2 km	SFP-1G10BLC	SFP-1G10BLC-T	Single-Mode	10 km
SFP-1GLXLC	SFP-1GLXLC-T	Single-Mode	10 km	SFP-1G20ALC	SFP-1G20ALC-T	Single-Mode	20 km
SFP-1GLHLC	SFP-1GLHLC-T	Single-Mode	30 km	SFP-1G20BLC	SFP-1G20BLC-T	Single-Mode	20 km
SFP-1GLHXLC	SFP-1GLHXLC-T	Single-Mode	40 km	SFP-1G40ALC	SFP-1G40ALC-T	Single-Mode	40 km
SFP-1GZXLC	SFP-1GZXLC-T	Single-Mode	80 km	SFP-1G40BLC	SFP-1G40BLC-T	Single-Mode	40 km
SFP-1GEZXLC	-	Single-Mode	110 km	-	-	-	-
SFP-1GEZXLC-120	-	Single-Mode	120 km	-	-	-	-

*SFP-1GSXLC-T: -20 to 75°C operating temperature

Package Checklist

- SFP-1G module
- Warranty card

SFP-1FE Series

1-port Fast Ethernet SFP modules



- > Digital Diagnostic Monitor Function
- > IEEE 802.3u compliant
- > Differential PECL inputs and outputs
- > TTL signal detect indicator
- > Hot pluggable LC duplex connector
- > Class 1 laser product; complies with EN 60825-1



Specifications

Interface

Ethernet Ports: 1

Connectors: Duplex LC Connector

Optical Fiber

	Fast Ethernet SFP			
	SFP-M		SFP-S	SFP-L
Transceiver Type	Multi-Mode		Single-Mode	
Fiber Cable Type	OM1/OM2	62.5/125, 50/125 μ m	G.652	G.652
		800 MHz* km		
Typical Distance	2 km	4 km	40 km	80 km
Wave-length	Typical (nm)	1310	1310	1550
	TX Range (nm)	1280 to 1340	1280 to 1340	1530 to 1570
	RX Range (nm)	1100 to 1650	1100 to 1600	1100 to 1600
Optical Power	TX Range (dBm)	-8 to -18	0 to -5	0 to -5
	RX Range (dBm)	-3 to -32	-3 to -34	-3 to -34
	Link Budget (dB)	14	29	29
	Dispersion Penalty (dB)	2	3	1

Note: When connecting the SFP-S or L, we recommend using an attenuator to prevent damage caused by excessive optical power.

Power Requirements

Power Consumption: Max. 1 W

Environmental Limits

Operating Temperature: -40 to 85°C (-40 to 185°F)
 Storage Temperature: -40 to 85°C (-40 to 185°F)
 Ambient Relative Humidity: 5 to 95% (non-condensing)

Standards and Certifications

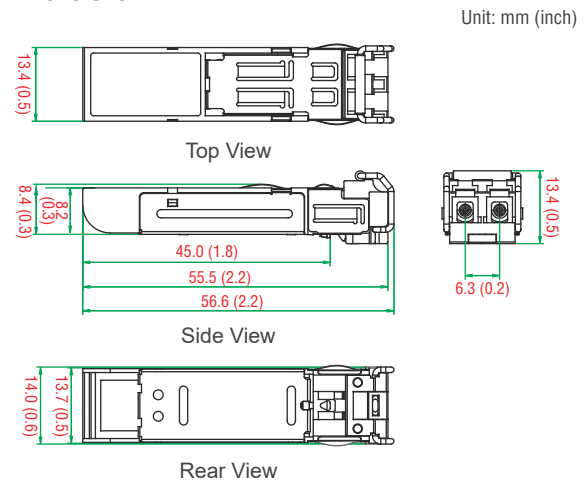
Safety: CE, FCC, TÜV, UL 60950-1
 Marine: DNV, GL

Warranty

Warranty Period: 5 years

Details: See www.moxa.com/warranty

Dimensions



Ordering Information

Available Models	Port Interface		
	100BaseFX, Multi-Mode, LC Connector, 4 km	100BaseFX, Single-Mode, LC Connector, 40 km	100BaseFX, Single-Mode, LC Connector, 80 km
SFP-1FEMLC-T	1	-	-
SFP-1FESLC-T	-	1	-
SFP-1FELLC-T	-	-	1

Package Checklist

- SFP-1FE module
- Warranty card