

# TTC-6P-3-HF-EX-24DC-I-P - Surge protection plug



2907834

<https://www.phoenixcontact.com/us/products/2907834>

Please be informed that the data shown in this PDF document is generated from our online catalog. Please find the complete data in the user documentation. Our general terms of use for downloads are valid.



Surge protection plug with integrated status indicator for a 3-wire Ex i signal circuit with common reference potential. For HF applications. Nominal voltage: 24 V DC

## Your advantages

- Space-saving and cost-saving with a narrow overall width of just 6 mm
- Continuous monitoring of protective devices, plus mechanical status indicator with optional remote signaling
- Finding the right product for all possible requirements in MCR applications is easy, thanks to the complete range of products with customized features
- Easy testing and documentation with CHECKMASTER 2 with pluggable protective modules
- The signal is not influenced during maintenance work, thanks to the impedance-neutral insertion and removal of protective plugs

## Commercial data

|                                      |               |
|--------------------------------------|---------------|
| Item number                          | 2907834       |
| Packing unit                         | 1 pc          |
| Minimum order quantity               | 1 pc          |
| Sales key                            | CL02          |
| Product key                          | CL216Z        |
| GTIN                                 | 4055626379777 |
| Weight per piece (including packing) | 36.1 g        |
| Weight per piece (excluding packing) | 36.1 g        |
| Customs tariff number                | 85363010      |
| Country of origin                    | DE            |

# TTC-6P-3-HF-EX-24DC-I-P - Surge protection plug

2907834

<https://www.phoenixcontact.com/us/products/2907834>

## Technical data

### Product properties

|                |                    |
|----------------|--------------------|
| Type           | Male               |
| Product type   | Replacement plug   |
| Product family | TERMITRAB complete |

### Insulation characteristics

|                      |     |
|----------------------|-----|
| Overvoltage category | III |
| Pollution degree     | 2   |

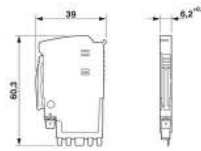
### Electrical properties

|                       |         |
|-----------------------|---------|
| Nominal voltage $U_N$ | 24 V DC |
|-----------------------|---------|

### Connection data

|                   |           |
|-------------------|-----------|
| Connection method | pluggable |
|-------------------|-----------|

### Dimensions

|                     |  |
|---------------------|--|
| Dimensional drawing |  |
| Width               | 6.2 mm +0.1 mm   |
| Height              | 39 mm  |
| Depth               | 60.3 mm  |

### Material specifications

|  |     |
|--|-----|
| Flammability rating according to UL 94 | V-0 |
| Insulating material                    | PBT |
| Housing material                       | PBT |

### Protective circuit

|                                  |                |
|----------------------------------|----------------|
| Maximum continuous voltage $U_C$ | 30 V DC        |
| Rated current                    | 600 mA (40 °C) |
| Surge protection fault message   | optical        |

### Environmental and real-life conditions

#### Ambient conditions

|   |                  |
|---|------------------|
| Degree of protection                    | IP20             |
| Ambient temperature (operation)         | -40 °C ... 85 °C |
| Ambient temperature (storage/transport) | -40 °C ... 85 °C |
| Altitude                                | ≤ 2000 m (amsl)  |
| Permissible humidity (operation)        | 5 % ... 95 %     |

# TTC-6P-3-HF-EX-24DC-I-P - Surge protection plug



2907834

<https://www.phoenixcontact.com/us/products/2907834>

## Standards and regulations

|                          |             |
|--------------------------|-------------|
| Standards/specifications | EN 60079-0  |
| Note                     | 2018        |
| Standards/specifications | EN 60079-11 |
| Note                     | 2012        |

### EN 61643-21

|                          |   |
|--------------------------|---|
| Standards/specifications | EN 61643-21   |
| Note                     | 2001 + A1:2009 + A2:2013                              |
| Standards/specifications | IEC 60079-0   |
| Note                     | 2017  |
| Standards/specifications | IEC 60079-11  |
| Note                     | 2008  |
| Standards/specifications | IEC 61643-21  |
| Note                     | 2000 + corrigendum 2001 + A1:2008, modified + A2:2012 |

## Mounting

|               |                 |
|---------------|-----------------|
| Mounting type | on base element |
|---------------|-----------------|

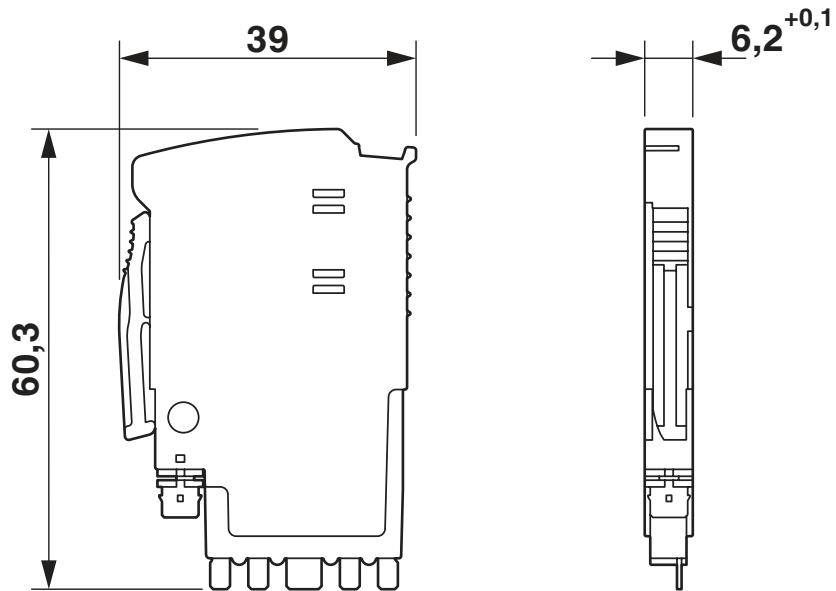
# TTC-6P-3-HF-EX-24DC-I-P - Surge protection plug

2907834

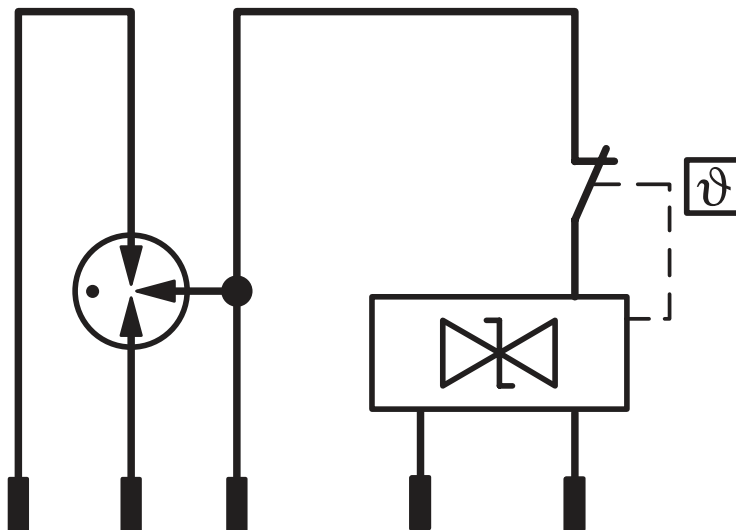
<https://www.phoenixcontact.com/us/products/2907834>

## Drawings

Dimensional drawing



Circuit diagram



# TTC-6P-3-HF-EX-24DC-I-P - Surge protection plug



2907834

<https://www.phoenixcontact.com/us/products/2907834>

## Approvals

To download certificates, visit the product detail page: <https://www.phoenixcontact.com/us/products/2907834>



**CSA**

Approval ID: 70136717



**DNV GL**

Approval ID: TAE000027G



**UL Listed**

Approval ID: FILE E 138168



**CSAus**

Approval ID: 70136717

**UAE-RoHS**

Approval ID: 22-06-16783



**IECEX**

Approval ID: IECEX BVS 16.0090X



**CCC**

Approval ID: 2020322316000780



**cUL Listed**

Approval ID: FILE E 333250



**UL Listed**

Approval ID: FILE E 333250



**ATEX**

Approval ID: BVS 16 ATEX E 125 X

**INMETRO**

Approval ID: DNV 19.0077 X

# TTC-6P-3-HF-EX-24DC-I-P - Surge protection plug



2907834

<https://www.phoenixcontact.com/us/products/2907834>



**NEPSI-EX**

Approval ID: GYJ20.1114X

**cCSAus**

**cULus Listed**

# TTC-6P-3-HF-EX-24DC-I-P - Surge protection plug



2907834

<https://www.phoenixcontact.com/us/products/2907834>

## Classifications

### ECLASS

|             |          |
|-------------|----------|
| ECLASS-11.0 | 27130890 |
| ECLASS-13.0 | 27171502 |

### ETIM

|          |          |
|----------|----------|
| ETIM 8.0 | EC002496 |
|----------|----------|

### UNSPSC

|             |          |
|-------------|----------|
| UNSPSC 21.0 | 39121600 |
|-------------|----------|

# TTC-6P-3-HF-EX-24DC-I-P - Surge protection plug



2907834

<https://www.phoenixcontact.com/us/products/2907834>

## Environmental product compliance

|            |  |
|------------|--|
| REACH SVHC | Lead 7439-92-1   |
| China RoHS | Environmentally Friendly Use Period = 50 years   |
|            | For information on hazardous substances, refer to the manufacturer's declaration available under "Downloads" |



# TTC-6P-3-HF-EX-24DC-I-P - Surge protection plug



2907834

<https://www.phoenixcontact.com/us/products/2907834>

## Accessories

### ZBF 6 CUS - Zack Marker strip, flat

0825027

<https://www.phoenixcontact.com/us/products/0825027>



Zack Marker strip, flat, Strip, can be ordered: Strip, white, labeled according to customer specifications, mounting type: snap into flat marker groove, for terminal block width: 6.2 mm, lettering field size: 5.15 x 6.15 mm, Number of individual labels: 10

---

### ZBF 6:UNBEDRUCKT - Zack Marker strip, flat

0808710

<https://www.phoenixcontact.com/us/products/0808710>



Zack Marker strip, flat, Strip, white, unlabeled, can be labeled with: PLOTMARK, CMS-P1-PLOTTER, mounting type: snapped, for terminal block width: 6.2 mm, lettering field size: 5.15 x 6.15 mm, Number of individual labels: 10

# TTC-6P-3-HF-EX-24DC-I-P - Surge protection plug



2907834

<https://www.phoenixcontact.com/us/products/2907834>

## ZBF 6/WH-100:UNBEDRUCKT - Zack Marker strip, flat

0808736

<https://www.phoenixcontact.com/us/products/0808736>



Zack Marker strip, flat, Strip, white, unlabeled, can be labeled with: PLOTMARK, CMS-P1-PLOTTER, mounting type: snapped, for terminal block width: 6.2 mm, lettering field size: 5.15 x 6.15 mm, Number of individual labels: 1000

---

## ZBF 6,QR:FORTL.ZAHLEN - Zack Marker strip, flat

0808765

<https://www.phoenixcontact.com/us/products/0808765>



Zack Marker strip, flat, Strip, white, labeled, Printed vertically: consecutive numbers 1 ... 10, 11 ... 20, etc. up to 91 ... 100, mounting type: snapped, for terminal block width: 6.2 mm, lettering field size: 5.15 x 6.15 mm, Number of individual labels: 10

# TTC-6P-3-HF-EX-24DC-I-P - Surge protection plug

2907834

<https://www.phoenixcontact.com/us/products/2907834>



## X-PEN 0,35 - Marker pen

0811228

<https://www.phoenixcontact.com/us/products/0811228>



Marker pen without ink cartridge, for manual labeling of markers, labeling extremely wipe-proof, line thickness 0.35 mm

---

Phoenix Contact 2023 © - all rights reserved

<https://www.phoenixcontact.com>

Phoenix Contact USA  
586 Fulling Mill Road  
Middletown, PA 17057, United States  
(+717) 944-1300  
[info@phoenixcon.com](mailto:info@phoenixcon.com)