

NOTES:

1) MATERIAL:

- a) PANEL AND CABLE MANAGEMENT TRAY : COLD ROLLED STEEL (CRS)
- b) BEZELS : POLYCARBONATE (PC), COLOR - BLACK
- c) JACK AND IDC HOUSINGS : POLYCARBONATE (PC) UL94-V0 RATED
- d) JACK AND IDC CONTACTS : COPPER ALLOY
- e) LABEL HOLDERS : POLYCARBONATE (PC)
- f) LABEL EXTRUSION : POLYVINYL CHLORIDE (PVC).

2) FINISH :

- a) PANEL : GRAY OR BLACK POWDERCOAT.
- b) CABLE MANAGEMENT TRAY : BLACK POWDERCOAT
- c) JACK CONTACTS : SELECTIVE GOLD (Au) OVER NICKEL (Ni)
- d) IDC CONTACTS : TIN (Sn) OVER NICKEL (Ni)
- e) LABEL HOLDERS AND LABEL EXTRUSIONS : WATER CLEAR.

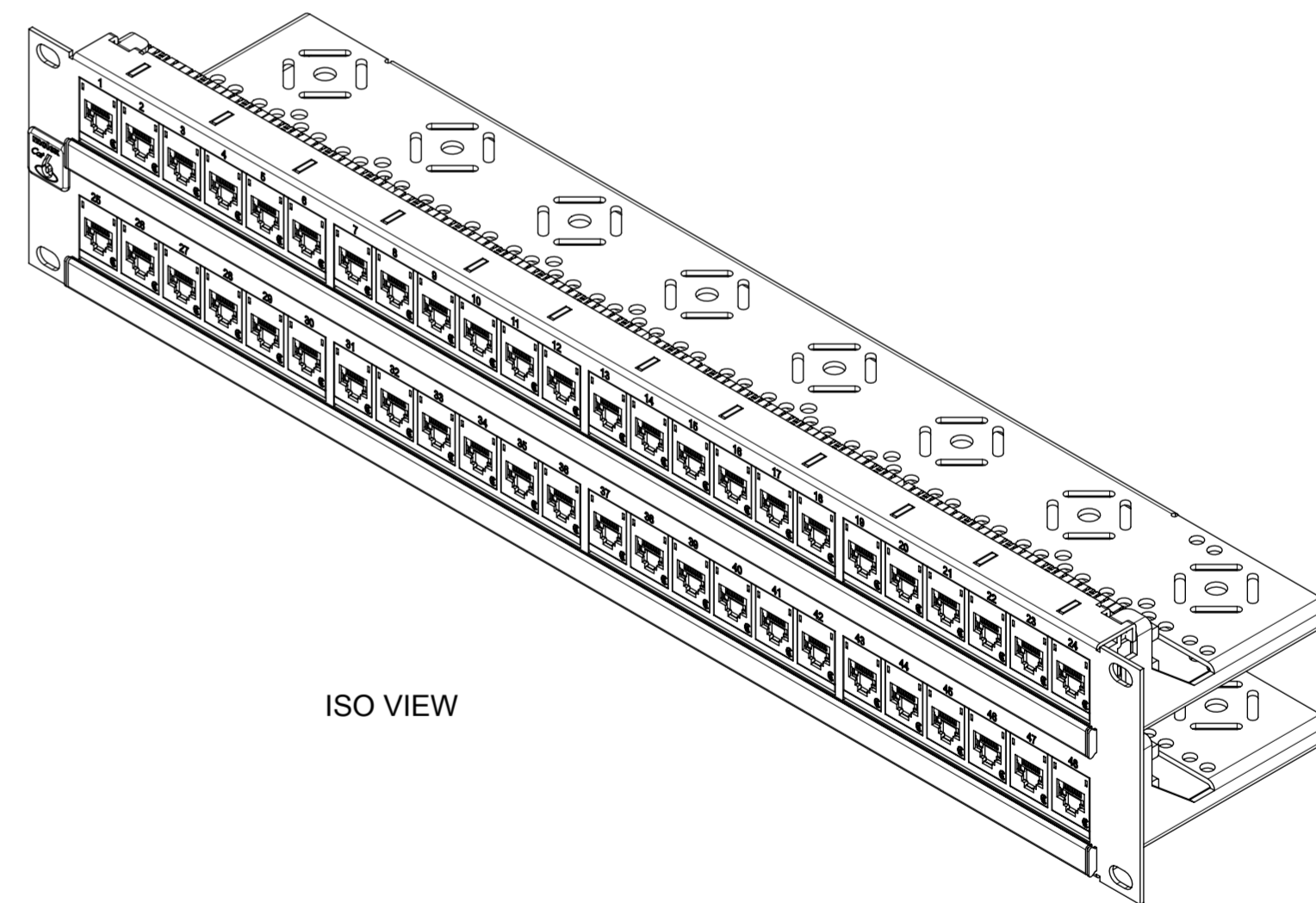
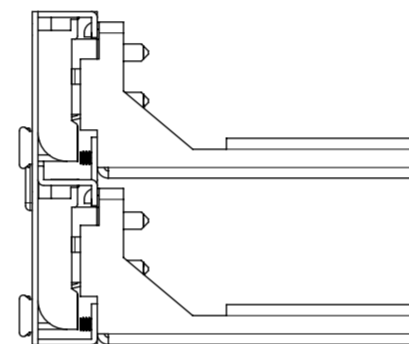
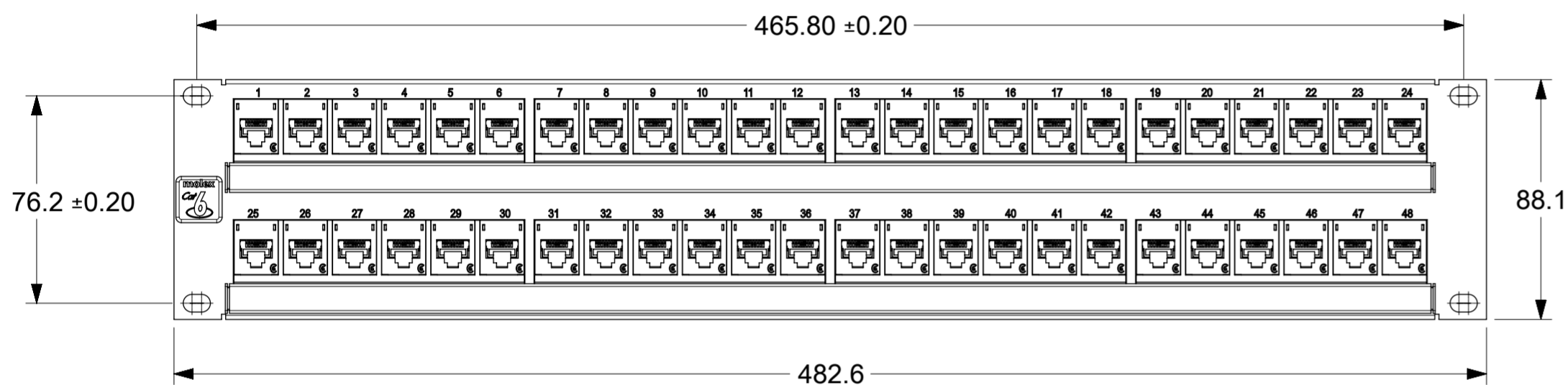
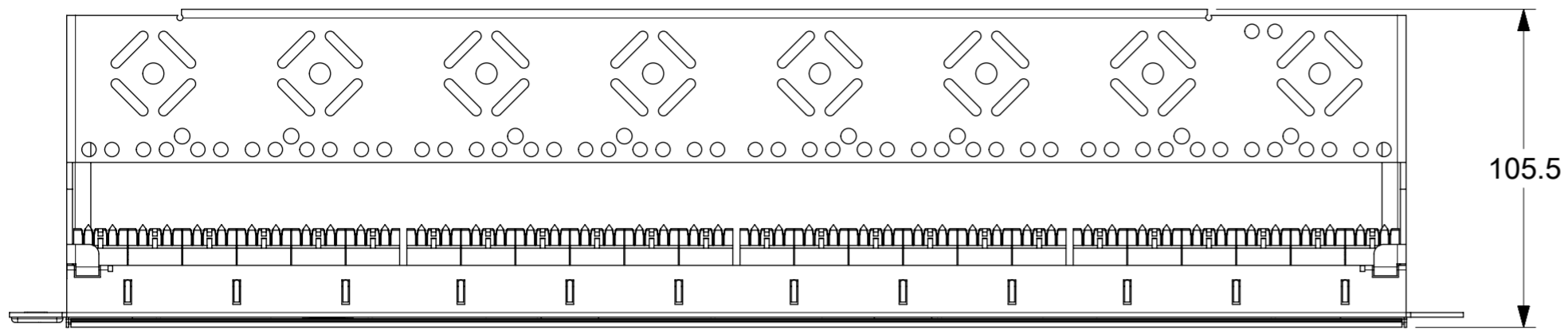
3) CABLE MANAGEMENT TRAY, LABELS AND LABEL EXTRUSIONS ARE SHOWN IN ASSEMBLED CONDITION IN THE DRAWING, WHERE AS THEY ARE PACKED INDIVIDUALLY IN A BOX.

4) PACKAGING : PANEL IS PACKED IN CORRUGATED BOX.

THE FOLLOWING ITEMS ARE INCLUDED:

- HARDWARE KIT
- LABELS AND LABEL EXTRUSIONS
- CABLE MANAGEMENT TRAY

5) PRODUCT PACKAGING LABEL CONTAINS QR CODE FOR INSTALLATION INSTRUCTIONS AND WHERE QR CODE IS NOT AVAILABLE HARD COPY WILL BE SUPPLIED.



PART NO. CHART

MPN NO.	SAP NO.	DESCRIPTION	REMARKS
PID-00142	182040010	PATCH PANEL CAT6 2U 48PORT 568A/B GRAY	
PID-00142-I	182040019	PATCH PANEL CAT6 2U 48PORT 568A/B GRAY -IN	FOR INDIA MARKET ONLY
PID-00142-04	182090026	PATCH PANEL CAT6 2U 48PORT 568A/B BLACK	
PID-00142-04-I	182090029	PATCH PANEL CAT6 2U 48PORT 568A/B BLACK- IN	FOR INDIA MARKET ONLY
PID-00142	182090037	PATCH PANEL CAT6 2U 48PORT 568A/B GRAY (USA MARKET)	FOR USA MARKET ONLY
PID-00142-04	182090041	PATCH PANEL CAT6 2U 48PORT 568A/B BLACK (USA MARKET)	FOR USA MARKET ONLY

FUNCTIONAL SYMBOLS	THIS DRAWING CONTAINS INFORMATION THAT IS PROPRIETARY TO MOLEX ELECTRONIC TECHNOLOGIES, LLC AND SHOULD NOT BE USED WITHOUT WRITTEN PERMISSION										
	DIMENSION UNITS	SCALE					CURRENT REV DESC:				
$\nabla_A = 0$	mm	1:2	EC NO: 718047		2022/05/30						
$\nabla_C = 0$	GENERAL TOLERANCES (UNLESS SPECIFIED)		DRWN: NKUMAR02								
$\nabla_P = 0$	ANGULAR TOL	± °	CHK'D: RCG		2022/10/28						
DIVISIONAL SYMBOLS	4 PLACES	±	APPR: RCG		2022/10/28						
	3 PLACES	±	INITIAL REVISION:								
	2 PLACES	±	DRWN: PS03		2009/10/12						
	1 PLACE	± 0.5	APPR: JKUMAR		2009/10/13						
	0 PLACES	±	THIRD ANGLE PROJECTION								
DRAFT WHERE APPLICABLE MUST REMAIN WITHIN DIMENSIONS			DRAWING	SERIES	MATERIAL NUMBER	CUSTOMER	DOCUMENT NUMBER	DOC TYPE	DOC PART	REVISION	SHEET NUMBER
			A2-SIZE	18209	SEE CHART	GENERAL MARKET	SD-18209-006	PSD	001	C3	1 OF 1

DOCUMENT STATUS	P1	RELEASE DATE	2022/10/28	05:44:25
-----------------	----	--------------	------------	----------