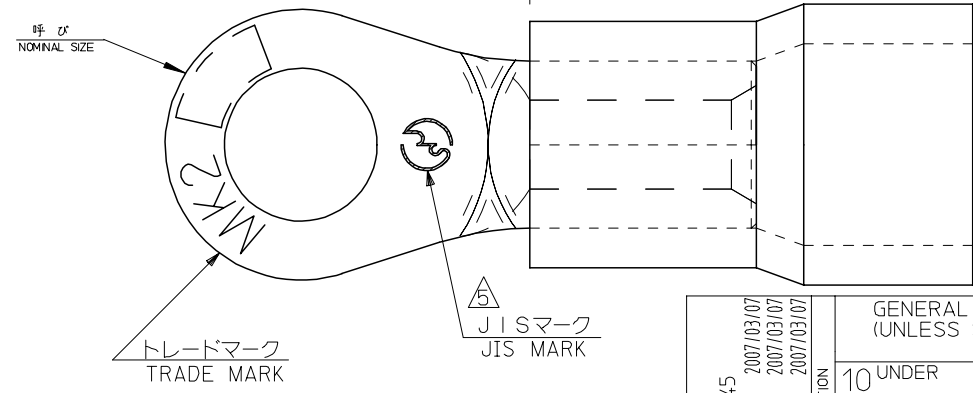
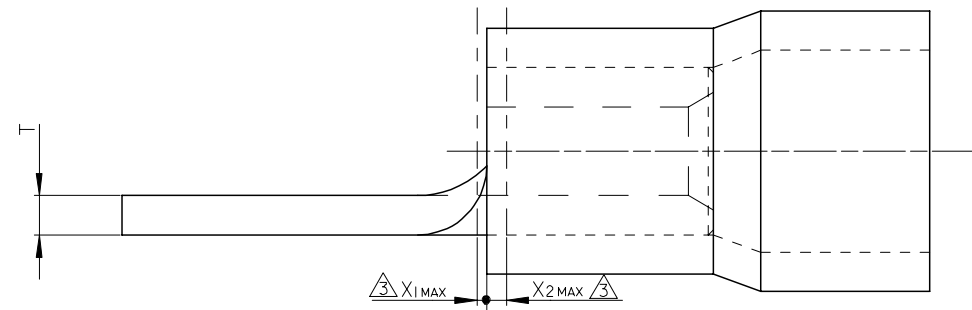
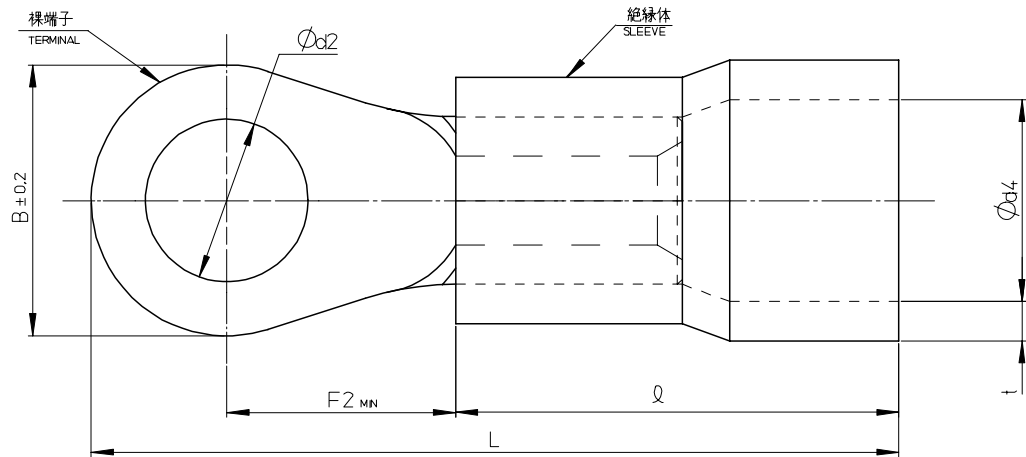


10 9 8 7 6 5 4 3 2 1



注記NOTES

1. 材質 MATERIAL

裸端子：無酸素銅，スズメッキ
 TERMINAL: OXYGEN FREE COPPER, TIN PLATING
 ろう付け部：りん銅ろう
 BRAZING: COPPER PHOSPHORUS BRAZING FILLER METALS
 絶縁体：硬質塩化ビニル
 SLEEVE: RIGID PVC (POLYVINYLCHLORIDE)

2. 適用電線 APPLICABLE WIRE RANGE

ENG.NO.	単線(mm) SOLID WIRE (mm)	撚線(mm ²) STRAINED WIRE (mm ²)	AWG
50232-3***	1.82-2.89	2.63-6.64	#12-#10

△ X₁ 及び X₂ 寸法は、裸端子の筒部と絶縁体とのずれを表す。
 X₁ AND X₂ SHOW THE OFFSET BETWEEN TERMINAL AND SLEEVE.

4. MATERIAL NOの説明
 LEGEND OF MATERIAL NO

50232-3△△*

スリーブの色
 SLEEVE COLOR
 0.....白 (WHITE)
 2.....赤 (RED)
 3.....黄 (YELLOW)
 4.....青 (BLUE)
 6.....緑 (GREEN)
 9.....透明 (TRANSPARENCY)

△ 5 JIS規格品は50232-3543,-3573,-3603,-3613,-3623のみ。
 JISマークはJIS認定品のみ手部に刻印する。
 50232-3543,-3573,-3603,-3613,-3623 ARE BASED ON JIS STANDARD.
 JIS MARK SHOULD BE STAMPED AT TONGUE PART ONLY IN THE RECOGNITION GOODS.

△ 6 JIS規格品の寸法の最小値は、基本寸法の80%とする。
 IN CASE OF JIS STANDARD PRODUCT, LOWER LIMIT IS 80% OF 'I'

RELEASED EC NO: J2007-1745 DRWNG: ITO 2007/03/07 CHKD: KASAHARA 2007/03/07 APPR: NUKITA 2007/03/07	GENERAL TOLERANCES (UNLESS SPECIFIED)		DIMENSION STYLE MM ONLY		SCALE ---	DESIGN UNITS METRIC	THIRD ANGLE PROJECTION	
	10 UNDER	± ---	DRAWN BY K. ITO	DATE 2006/10/27	TITLE INSULATED RING TERMINAL			
	10 OVER 30 UNDER	± ---	CHECKED BY K. KASAHARA	DATE 2006/10/27	MATERIAL NO. MOLEX MOLEX INCORPORATED			
	30 OVER	± ---	APPROVED BY N. UKITA	DATE 2006/10/27	DOCUMENT NO. SD-50232-001			
	ANGULAR ±1 °		DRAFT WHERE APPLICABLE MUST REMAIN WITHIN DIMENSIONS		SEE CHART		SHEET NO. 1 OF 2	

10 9 8 7 6 5 4 3 2 1

F

E

D

C

B

A

透明 TRANSPARENCY	緑 GREEN	青 BLUE	黄 YELLOW	赤 RED	白 WHITE	スリーブの色 SLEEVE COLOR
50232-3669	50232-3666	50232-3664	50232-3663	50232-3662	50232-3660	20
▲ -3659	▲ -3656	▲ -3654	▲ -3653	▲ -3652	▲ -3650	16
-3649	-3646	-3644	-3643	-3642	-3640	14
-3639	-3636	-3634	-3633	-3632	-3630	12
-3629	-3626	-3624	-3623	-3622	-3620	10
-3619	-3616	-3614	JIS -3613	-3612	-3610	8
-3609	-3606	-3604	-3603	-3602	-3600	6
-3599	-3596	-3594	-3593	-3592	-3590	L5
-3589	-3586	-3584	-3583	-3582	-3580	S5
-3579	-3576	-3574	JIS -3573	-3572	-3570	5
-3569	-3566	-3564	-3563	-3562	-3560	M4
-3559	-3556	-3554	-3553	-3552	-3550	S4
-3549	-3546	-3544	JIS -3543	-3542	-3540	4
-3539	-3536	-3534	-3533	-3532	-3530	M3.5
-3529	-3526	-3524	-3523	-3522	-3520	S3.5
-3519	-3516	-3514	-3513	-3512	-3510	M3
50232-3509	50232-3506	50232-3504	50232-3503	50232-3502	50232-3500	S3

△ ENG NO.	△ ENG NO.	△ ENG NO.	△ ENG NO.	△ ENG NO.	△ ENG NO.	△ ENG NO.	呼び NOMINAL SIZE	呼び SIZE	MODEL NO.
-----------	-----------	-----------	-----------	-----------	-----------	-----------	--------------------	------------	-----------

1.0 _{±0.05}	0.8 _{±0.05}	6.4 _{±0.05}	13.5 _{±0.1}	0.5	1.0	55.1 _{±0.1}	24.9	21 _{±0.4}	32	RBV 5.5	20	50232-366*	
0.9 _{MN}	0.8 _△	5.9 _{MN}	13.0 _{MN}			39.1 _{±0.1}	14.9	17 _{±0.4}			20	16	-365*
						37.0 _{MAX}	13.5	15 _{±0.4}				14	-364*
						34.0 _{MAX}	9	10.5 _{±0.4}	15		12	-363*	
1.0 _{±0.05}	0.8 _{±0.05}	6.4 _{±0.05}	13.5 _{±0.1}			29.4 _{±0.1}	9.4	8.4 _{±0.4}	12		10	-362*	
						26.6 _{±0.1}	8.4	7			8	-361*	
						28.0 _{MAX}	7	6.4 _{±0.4}	8.0		6	-360*	
0.9 _{MN}	0.8 _△	5.9 _{MN}	13.0 _{MN}			26.6 _{±0.1}	8.8	5.3 _{±0.2}	9.5		L5	-359*	
						22.9 _{±0.1}	5.1	4.3 _{±0.2}			7.1	S5	-358*
						28.0 _{MAX}	5	4.3 _{±0.2}	9.5		5	-357*	
1.0 _{±0.05}	0.8 _{±0.05}	6.4 _{±0.05}	13.5 _{±0.1}			26.6 _{±0.1}	8.8	3.7 _{±0.2}	7.1		M4	-356*	
						22.9 _{±0.1}	5.1	4.3 _{±0.2}			7.2	S4	-355*
				28.0 _{MAX}	5	4.3 _{±0.2}	9.5	4	-354*				
1.0 _{±0.05}	0.8 _{±0.05}	6.4 _{±0.05}	13.5 _{±0.1}	26.6 _{±0.1}	8.8	3.2 _{±0.2}	7.1	M3.5	-353*				
				22.9 _{±0.1}	5.1	4.3 _{±0.2}		7.2	S3.5	-352*			
				26.6 _{±0.1}	8.8	7.1	9.5	M3	-351*				
22.9 _{±0.1}	5.1	7.2	9.5	S3	50232-350*								

T	t	∅d4	ℓ	X2	X1	L	F2	∅d2	B	呼び NOMINAL SIZE	呼び SIZE	ENG.NO.
---	---	-----	---	----	----	---	----	-----	---	--------------------	------------	---------

RELEASED EC NO: J2007-1745 DRWNG: ITO 2007/03/07 CHKD: KASAHARA 2007/03/07 APPR: NUKITA 2007/03/07	GENERAL TOLERANCES (UNLESS SPECIFIED)		DIMENSION STYLE		SCALE	DESIGN UNITS	THIRD ANGLE PROJECTION		
	10 UNDER		± ---	MM ONLY		---	METRIC	◎ □	
	10 OVER 30 UNDER		± ---	DRAWN BY DATE		TITLE			
	30 OVER		± ---	K. ITO 2006/12/01		INSULATED RING TERMINAL			
	ANGULAR		± --- °	CHECKED BY DATE		MOLEX MOLEX INCORPORATED			
DRAFT WHERE APPLICABLE MUST REMAIN WITHIN DIMENSIONS		APPROVED BY DATE		MATERIAL NO.		DOCUMENT NO.		SHEET NO.	
0		N. UKITA 2006/12/01		SEE CHART		SD-50232-001		2 OF 2	
THIS DRAWING CONTAINS INFORMATION THAT IS PROPRIETARY TO MOLEX INCORPORATED AND SHOULD NOT BE USED WITHOUT WRITTEN PERMISSION									