

PROJECT NO. SIMILAR ITEM DWG. NO. SD-35301-004

5

4

3

2

1

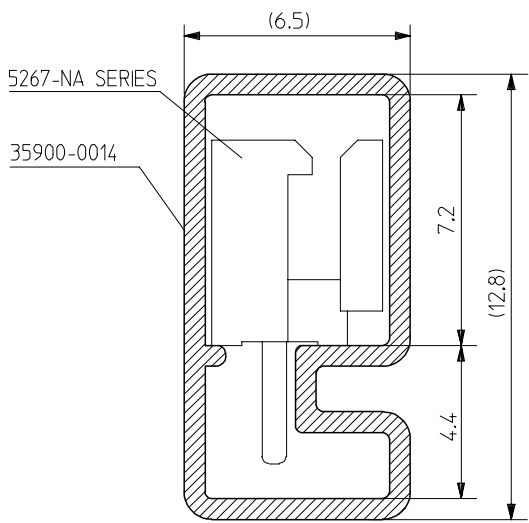
VINYL → (MOLEX LOGO SIDE)

← STOPPER

VIEW V

NOTES

1. PACKING TYPE : VINYL & STOPPER LOCKING TYPE
2. THICKNESS : 0.6 t
3. LENGTH : 550 mm



LEGEND

35301- ** 1 *

COLOR : 0 --- NATURAL
 1 --- BLACK
 2 --- RED
 3 --- YELLOW
 4 --- BLUE

CKT (02 , 03 , 04 ...)

15	35301-151*	35301151*	5267-15A-**	10
14	-141*	35301141*	-14A-**	10
13	-131*	35301131*	-13A-**	15
12	-121*	35301121*	-12A-**	15
11	-111*	35301111*	-11A-**	15
10	-101*	35301101*	-10A-**	15
9	-091*	35301091*	-09A-**	20
8	-081*	35301081*	-08A-**	20
7	-071*	35301071*	-07A-**	25
6	-061*	35301061*	-06A-**	30
5	-051*	35301051*	-05A-**	35
4	-041*	35301041*	-04A-**	40
3	-031*	35301031*	-03A-**	50
2	35301-021*	35301021*	5267-02A-**	70
CKTS	ENG NO.	MAT'L NO.	APPLIED CONNECTOR	Q'TY/TUBE

NEW RELEASED EC NO. KOR2006-0070 DRWN: K.S.KIM (051209) CHK: Y.Soo.KIM APPR: S.H.CHOI	QUALITY SYMBOLS MAJOR CRITICAL	GENERAL TOLERANCES: (UNLESS SPECIFIED)		SCALE NONE	DESIGN UNITS <input checked="" type="checkbox"/> mm <input type="checkbox"/> INCH	THIRD ANGLE PROJECTION	DIMENSIONS: <input type="checkbox"/> mm <input type="checkbox"/> INCH <input checked="" type="checkbox"/> mm ONLY	SHT	REV	
		4 PLACES	±0.	±.	DRAWN BY & DATE K.S.KIM (051209)		TITLE: TUBE PACKAGED FOR 5267-NA SERIES			
		3 PLACES	±0.	±.	CHECKED BY & DATE Y.Soo.KIM					
		2 PLACES	±0.	±.	APPROVED BY & DATE S.H.CHOI		MOLEX INCORPORATED			
1 PLACE	±0.4	±.	ANGULAR: ± 3 °		CAD FILENAME	MATERIAL NO. SEE TABLE	DRAWING NO. SD-35301-004	SHEET NO. 1 OF 1	SIZE A	
A	REV	DRAFT WHERE APPLICABLE MUST REMAIN WITHIN DIMENSIONS					THIS DRAWING CONTAINS INFORMATION THAT IS PROPRIETARY TO MOLEX INCORPORATED AND SHOULD NOT BE USED WITHOUT WRITTEN PERMISSION.			

5

4

3

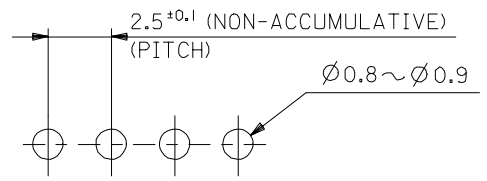
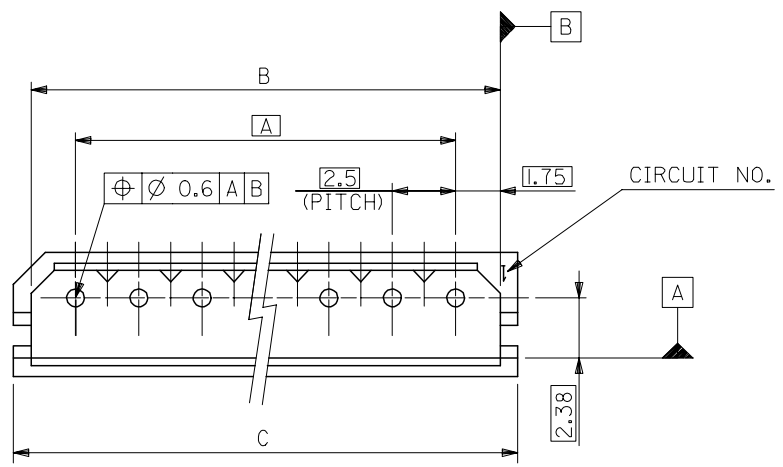
2

MX-A4

DWG. NO.
 SIMILAR ITEM
 PROJECT NO.
 C
 B
 DO NOT SCALE DRAWING
 DIMENSION IN METRIC

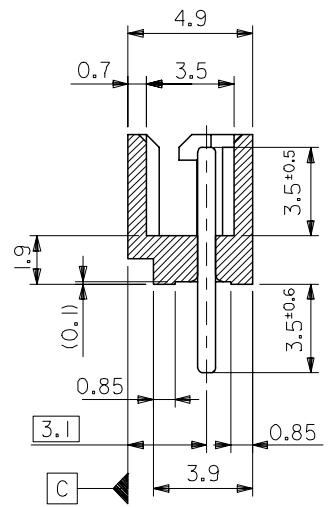
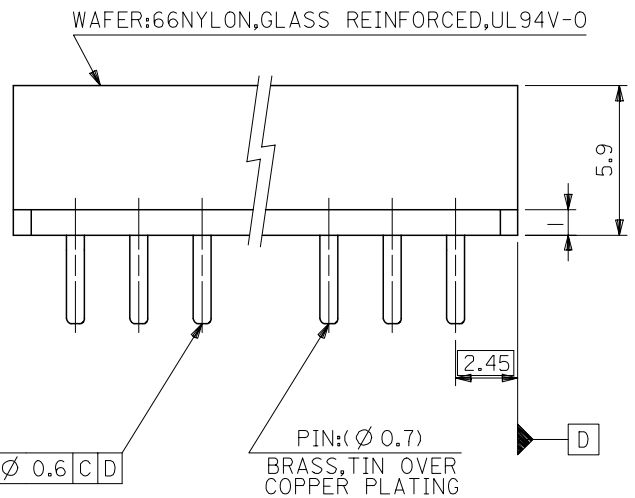
8 7 6 5 4 3 2 1

F
 E
 D
 C
 B
 A



RECOMMENDED P.C. BOARD HOLE DIM.

NOTES:
 1. MATES WITH • 5264 SERIES.



39.9	38.5	35	22-03-5155	5267-15A	35301-1510	15
37.4	36	32.5	-5145	-14A	35301-1410	14
34.9	33.5	30	-5135	-13A	35301-1310	13
32.4	31	27.5	-5125	-12A	35301-1210	12
29.9	28.5	25	-5115	-11A	35301-1110	11
27.4	26	22.5	-5105	-10A	35301-1010	10
24.9	23.5	20	-5095	-09A	35301-0910	9
22.4	21	17.5	-5085	-08A	35301-0810	8
19.9	18.5	15	-5075	-07A	35301-0710	7
17.4	16	12.5	-5065	-06A	35301-0610	6
14.9	13.5	10	-5055	-05A	35301-0510	5
12.4	11	7.5	-5045	-04A	35301-0410	4
9.9	8.5	5	-5035	-03A	35301-0310	3
7.4	6	2.5	22-03-5025	5267-02A	35301-0210	2
C	B	A	EDP NO.	ENG NO.	ENG NO.	NO OF CKT.

ANGLE	±3°
30 OVER	±0.3
10 OVER 30 UNDER	±0.25
10 UNDER	±0.2
GENERAL TOLERANCES	

NEW RELEASED
 ECN NO. KOR2006-0082
 DRWN: K.S.KIM (060102)
 CHK: Y.Soo.KIM
 APPR: SH.CHOI

QUALITY SYMBOLS
 MAJOR
 CRITICAL
 DESCRIPTION
 REV

GENERAL TOLERANCES:
 (UNLESS SPECIFIED)
 mm INCH
 4 PLACES ±0. ±-
 3 PLACES ±0. ±-
 2 PLACES ±0. ±-
 1 PLACE ±0. ±-
 ANGULAR: ± °
 DRAFT WHERE APPLICABLE MUST
 REMAIN WITHIN DIMENSIONS

SCALE 5:1
 DESIGN UNITS
 mm INCH
 DRAWN BY & DATE
 K.S.KIM (060102)
 CHECKED BY & DATE
 Y.Soo.KIM
 APPROVED BY & DATE
 SH.CHOI
 CAD FILENAME

DIMENSIONS:
 mm INCH mm ONLY
 THIRD ANGLE PROJECTION
 TITLE:
 2.5 LOW PROFILE
 WAFER ASS'Y
 MOLEX INCORPORATED
 MATERIAL NO. DRAWING NO. SHEET NO.
 SD-35301-010 1 OF 1
 THIS DRAWING CONTAINS INFORMATION THAT IS PROPRIETARY TO MOLEX
 INCORPORATED AND SHOULD NOT BE USED WITHOUT WRITTEN PERMISSION.
 SIZE B
 KOREA MX-A3

8 7 6 5 4 3 2 1