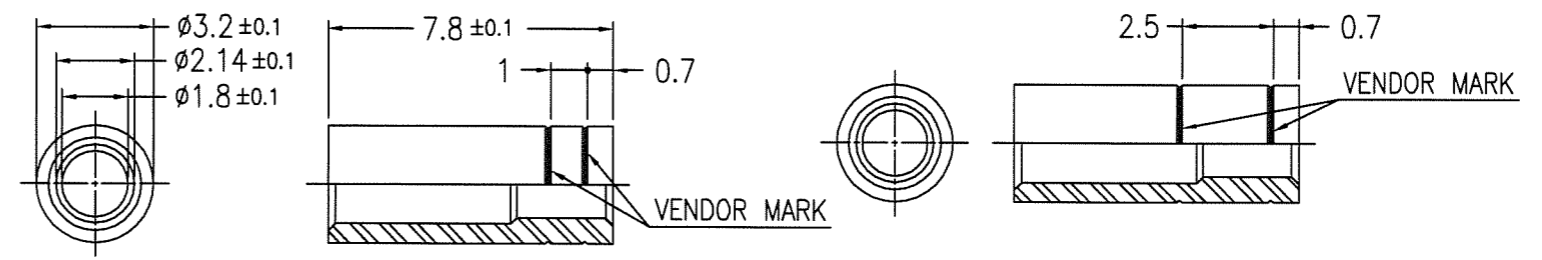
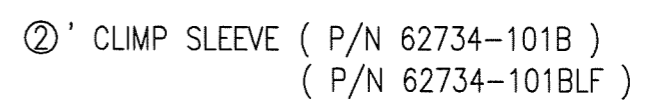
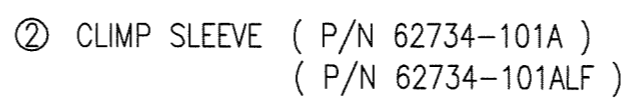
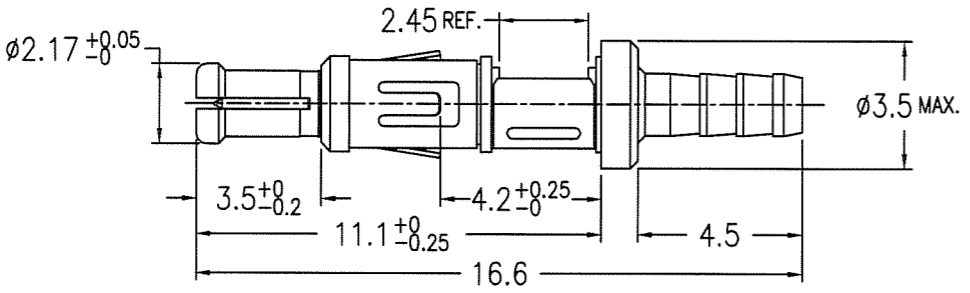
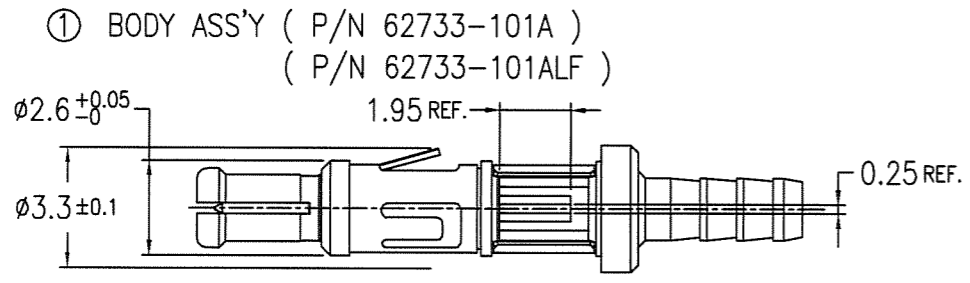
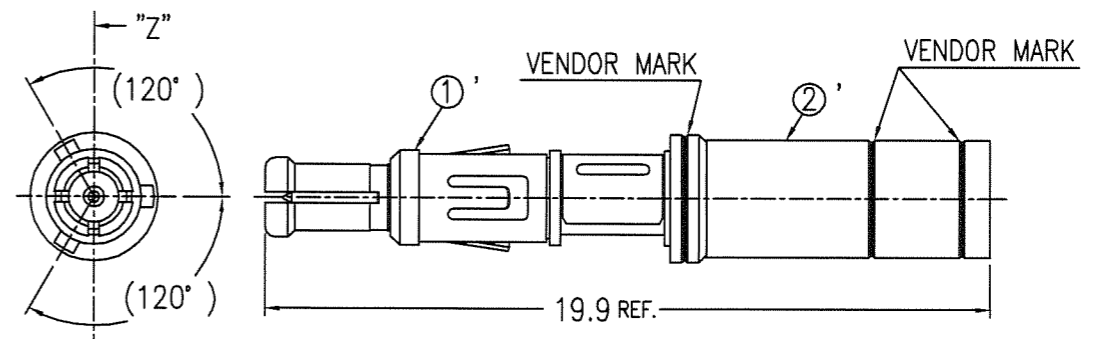
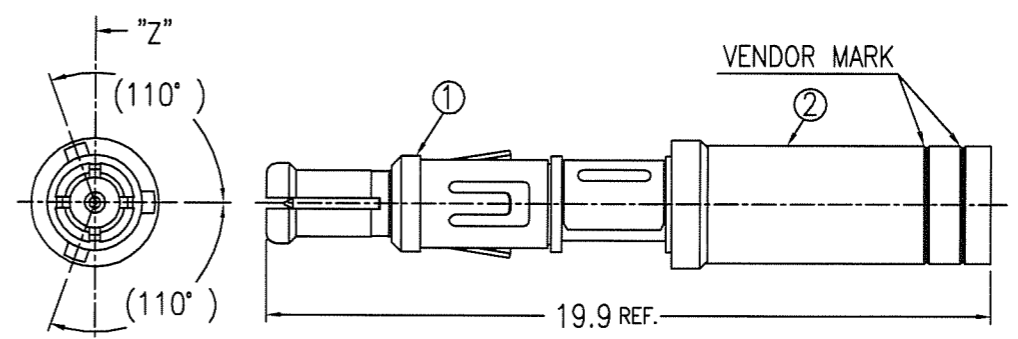
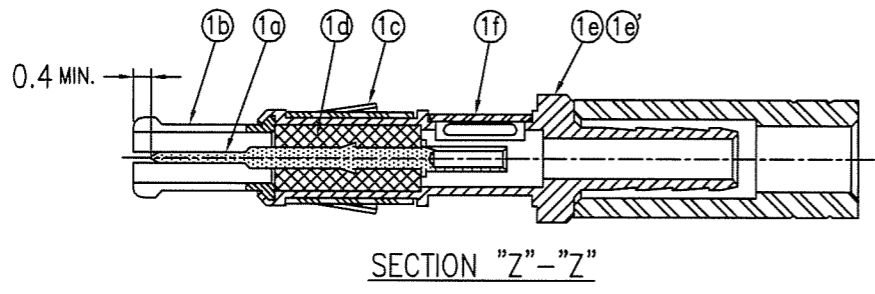


No.	DESCRIPTION	QTY.	MATERIAL	PLATING	No.	DESCRIPTION	MATERIAL	PLATING
①	BODY ASSY	1			①a	INNER CONTACT	BERYLLIUM COPPER	Au 0.8μm MIN.
②	CRIMP SLEEVE	1	BRASS	Ni 1.27μm MIN.	①b	OUTER CONTACT	BERYLLIUM COPPER	Au 0.8μm MIN.
62732-101 62732-101LF		MALE CONTACT KIT (TYPE 1)			①c	SPRING CLIP	BERYLLIUM COPPER	Ni 1.27μm MIN.
①'	BODY ASSY	1			①d	INSULATOR	PTFE	
②'	CRIMP SLEEVE	1	BRASS	Ni 1.27μm MIN.	①e	SLEEVE (TYPE A)	BRASS	Au 0.05μm MIN.
62732-101 62732-101LF		MALE CONTACT KIT (TYPE 2)			①e'	SLEEVE (TYPE B)	BRASS	Au 0.05μm MIN.
CABLE : 0.8DS-PBE , SS753001 (SUMITOMO)					①f	SOLDER COVER	BERYLLIUM COPPER	Ni 1.27μm MIN.



注記
1. 型番末尾の"LF"品は、GS-22-008に記載されたヨーロッパ連合指令と他国の規制に適合しています。

mat'l. code				surface ISO 1302		tolerance ISO 406 ISO 1101		projection		product family METRAL		CODE JP	
---				✓		tolerances unless otherwise specified		MM		title			
ltr	description	ecn no	dr	date	angles	linear	0.X ±0.2	scale 5:1		METRAL MINI COAX MALE CONTACT KIT			
A	RELEASED	J00382	Y.K	6/13/'00			0.XX ±0.2			dwg no		sheet 1 of 1 size	
B	REVISED	J00699	Y.K	9/11/'00			0.XXX ±0.2			62732		A3	
C	REVISED	J06-0005	S.D	3/15/'06	0°±3'					type		Customer Drawing	
D	REVISED	J06-0128	S.D	3/30/'07	dr	Y.KODAIRA	6/13/'00						
E	REVISED	J07-0030	S.D	1/18/'07	enrg	S.OKUDAIRA	1/18/'07						
					chr	R. Shoyri	1/18/07						
					appd	S. Ando	1/18/07						
sheet index		revision sheet										Rev. E	



Copyright FCJ.