

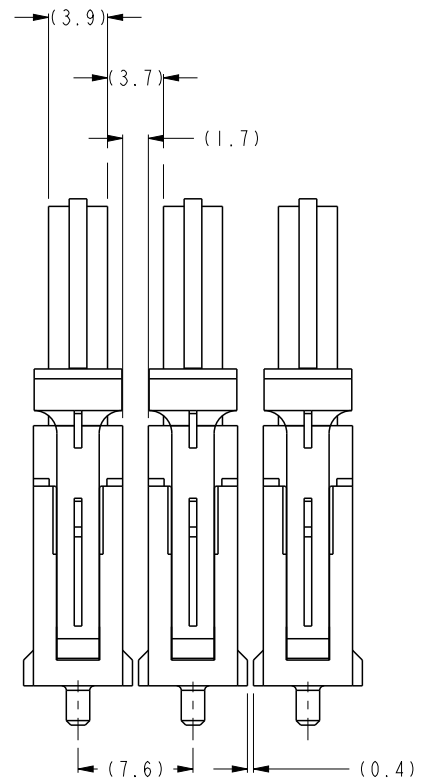
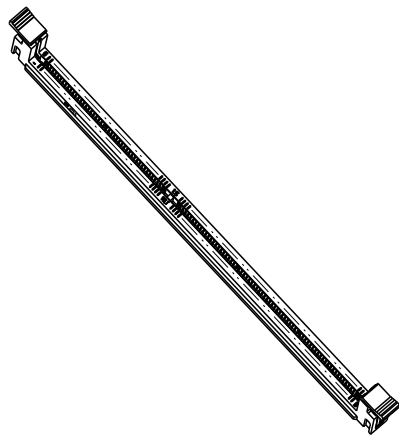
spec ref	*	dr	Beer Fu	2011/02/10	projection	MM	size	A4	scale	1:1									
tolerance std	TOLERANCES UNLESS OTHERWISE SPECIFIED	eng	Beer Fu	2012/04/02			ecn no	-											
		chr	-	-															
surface	<table border="1"> <tr> <td>linear</td> <td>0.X</td> <td>±0.38</td> </tr> <tr> <td></td> <td>0.XX</td> <td>±0.25</td> </tr> <tr> <td></td> <td>0.XXX</td> <td>±0.13</td> </tr> <tr> <td>angular</td> <td>0°</td> <td>±°</td> </tr> </table>	linear	0.X	±0.38		0.XX	±0.25		0.XXX	±0.13	angular	0°	±°	appr	Gary Hsieh	2012/04/02	product family	rel level	Released
linear	0.X	±0.38																	
	0.XX	±0.25																	
	0.XXX	±0.13																	
angular	0°	±°																	
				title DDR3 DIMM LSP VERTICAL P/F, 240 PINS, RDIMM, LLCR		dwg no 10076443		rev A											
		www.fci.com		cat. no. *		Product - Customer Drw		sheet 1 of 5											



Copyright FCI.



Copyright FCI.



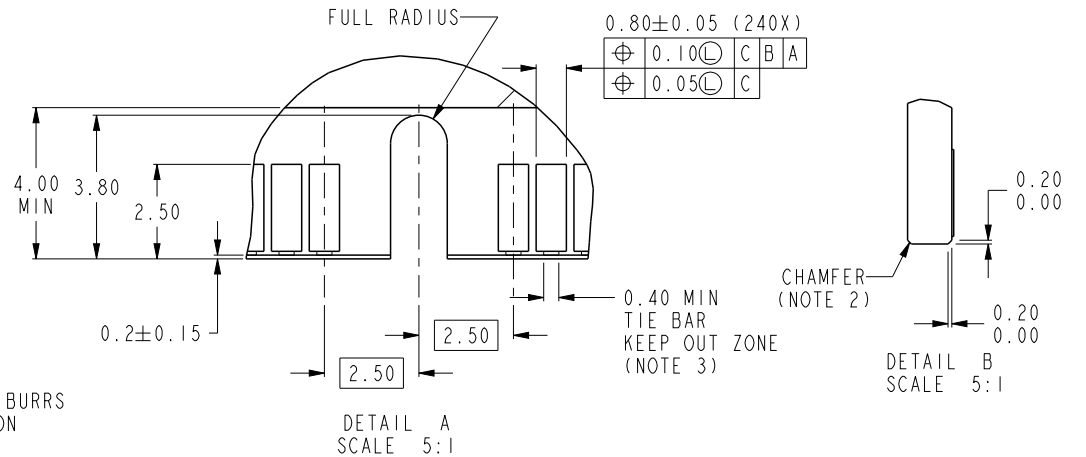
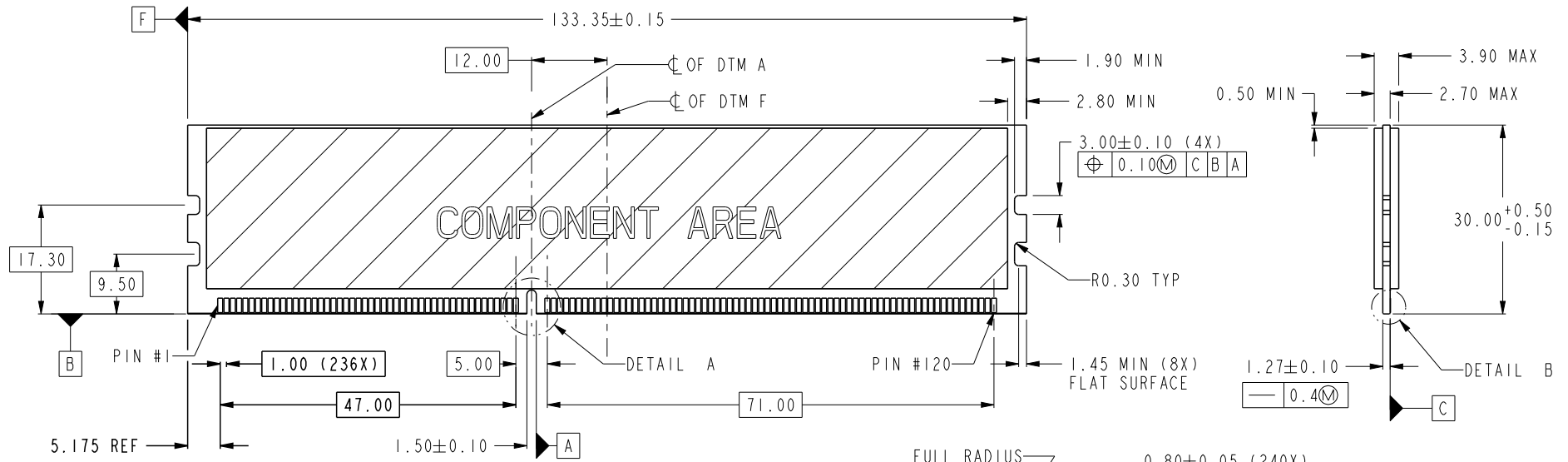
MINIMUM ROW TO ROW SPACING RECOMMENDATION  
(USING 4.00MM MODULE CARD)

NOTES:

- MATERIAL:  
HOUSING: HIGH PERFORMANCE RESINS, GLASS FILLED UL94V-0 RATED.  
EJECTOR: HIGH PERFORMANCE RESINS, GLASS FILLED UL94V-0 RATED.  
TERMINAL: COPPER ALLOY.  
TERMINAL FINISH: REFER TO TABLE ON SHEET 5.
- DATE CODE FORMATE IS "MMDDYYL", PROCESSED BY INK PRINTING OR LASER MARKING.  
"MMDDYY": MONTH-DATE-YEAR, DENOTE THE ASSEMBLY DATE.  
"L": FCI PRODUCTION LINE.
- PRODUCT SPECIFICATION: GS-12-0924.
- PACKAGING SPECIFICATION: GS-14-528.
- CARD SLOT ACCEPTS 1.27 +/- 0.10MM MODULE THICKNESS.  
(MEASURED FROM PC PADS)
- KEEP OUT ZONE RESERVED FOR EJECTOR.
- LEAD FREE PRODUCT MEETS EUROPEAN UNION DIRECTIVES AND OTHER COUNTRY REGULATIONS AS DESCRIBED IN GS-22-008.

spec ref *		dr Beer Fu 2011/02/10		projection		size A4		scale 1:1	
tolerance std		eng Beer Fu 2012/04/02						ecn no -	
TOLERANCES UNLESS OTHERWISE SPECIFIED		chr -						rel level Released	
surface ✓		appr Gary Hsieh 2012/04/02		product family		dwg no 10076443		rev A	
linear		0.X	±0.38			title DDR3 DIMM LSP VERTICAL P/F, 240 PINS, RDIMM, LLCR		cat. no. * Product - Customer Drw	
		0.XX	±0.25						
		0.XXX	±0.13						
angular		0°	±°	www.fci.com		sheet 2 of 5			

MODULE CARD  
DDR3 DUAL IN-LINE MEMORY MODULE FAMILY 1.00MM CONTACT CENTERS  
(JEDEC MO-269)

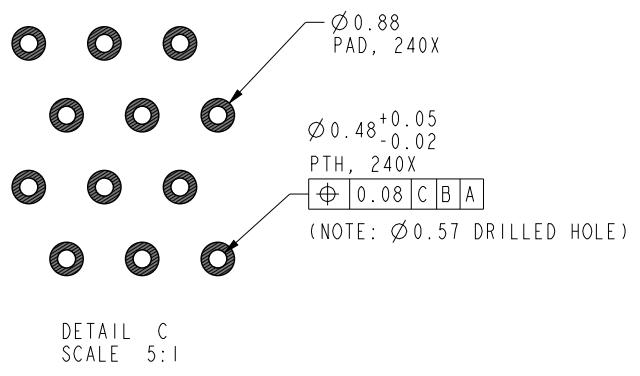
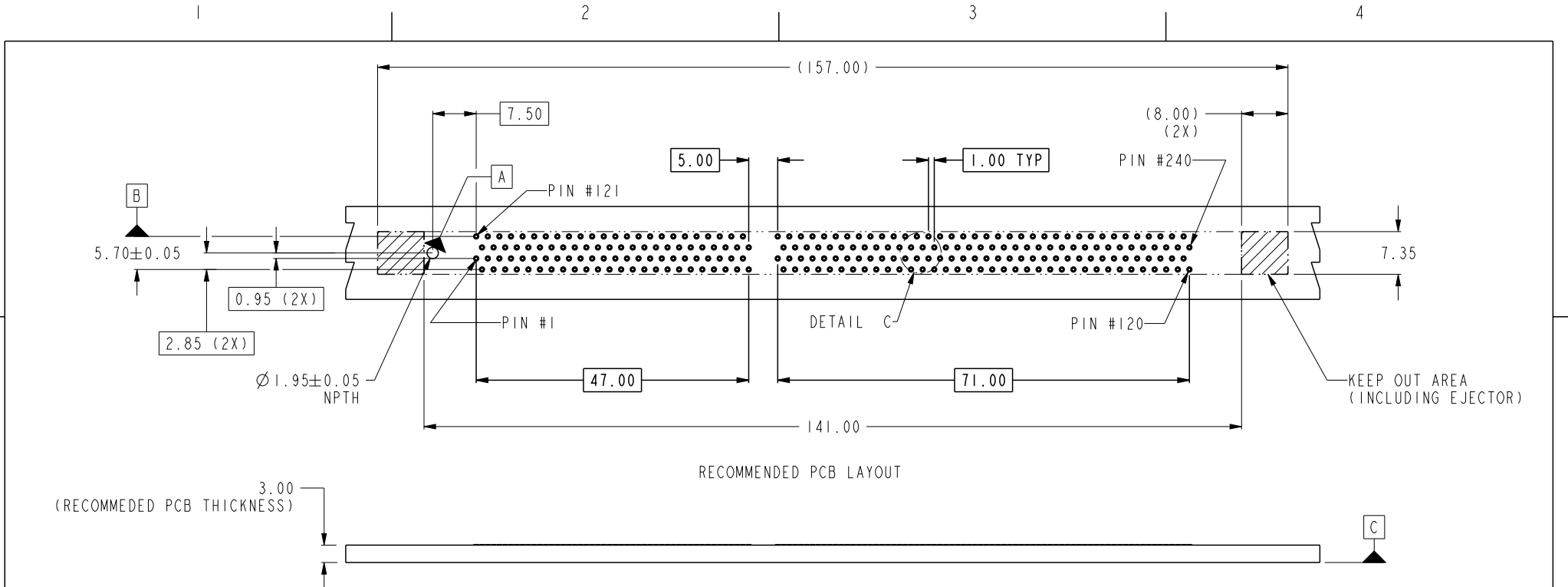


- NOTES:
- RECOMMENDED PLATING FOR CONTACT PADS:  
PREFERRED:  
0.76 MICROMETERS GOLD PLATING MIN OVER 2.00 MICROMETERS NICKEL.  
ALTERNATIVE:  
0.05-0.75 MICROMETERS GOLD PLATING OVER 2.00 MICROMETERS NICKEL.  
MUST USE AN ELECTRONIC CONTACT GRADE CORROSIVE BARRIER LUBRICANT.
  - CHAMFER IS RECOMMENDED AND IS NOT TO HIT THE GOLD PADS.
  - LEADING EDGE OF GOLD PADS SPECIFIED BY KEEP-OUT ZONE SHALL BE FREE OF BURRS AND EXTERNAL TIE BARS FOR OPTIMUM PERFORMANCE. THE TIE BAR IS TO BE ON INTERNAL LAYER SO THAT THE REMNANT CANNOT CAUSE CONTACT DAMAGE.

spec ref	*	dr	Beer Fu	2011/02/10	projection	MM	size	A4	scale	1:1							
tolerance std	TOLERANCES UNLESS OTHERWISE SPECIFIED	eng	Beer Fu	2012/04/02			ecn no	-	rel level	Released							
		chr	-	-													
		appr	Gary Hsieh	2012/04/02	product family												
surface	<table border="1"> <tr> <td>linear</td> <td>0.X</td> <td>±0.38</td> </tr> <tr> <td></td> <td>0.XX</td> <td>±0.25</td> </tr> <tr> <td></td> <td>0.XXX</td> <td>±0.13</td> </tr> <tr> <td>angular</td> <td>0°</td> <td>±°</td> </tr> </table>	linear	0.X	±0.38		0.XX	±0.25		0.XXX	±0.13	angular	0°	±°		title DDR3 DIMM LSP VERTICAL P/F, 240 PINS, RDIMM, LLCR	dwg no 10076443	rev A
linear	0.X	±0.38															
	0.XX	±0.25															
	0.XXX	±0.13															
angular	0°	±°															
		www.fci.com	cat. no.	*	Product - Customer Drw	sheet 3 of 5											



Copyright FCI.



spec ref	*	dr	Beer Fu	2011/02/10	projection	MM ←→	size	A4	scale	1:1	
tolerance std	TOLERANCES UNLESS OTHERWISE SPECIFIED	eng	Beer Fu	2012/04/02			ecn no	-			
		chr	-	-							
surface	✓	appr	Gary Hsieh	2012/04/02	product family	rel level	Released				
linear	0.X	±0.38		title DDR3 DIMM LSP VERTICAL P/F, 240 PINS, RDIMM, LLCR	dwg no 10076443	rev A	www.fci.com    cat. no.    *    Product - Customer Drw    sheet 4 of 5				
	0.XX	±0.25									
0.XXX	±0.13										
angular	0°	±°									

PrdE File - REV C - 2009-06-09

1

2

3

4

A

B

C

D

PART NUMBER	PLATING OPTION		HOUSING COLOR	EJECTOR COLOR
	CONTACT AREA	TAIL AREA		
10076443-101LF	GOLD FLASH	0.38~1.52 MICROMETER [15~60 MICROINCH] MATTE TIN OVER 1.27 MICROMETER [50 MICROINCH] MIN. NICKEL UNDERPLATE	BLACK	BLACK
10076443-102LF			BLUE	BLUE
10076443-103LF			IVORY	IVORY
10076443-104LF			BLACK	IVORY
10076443-101		0.38~1.52 MICROMETER [15~60 MICROINCH] BRIGHT TIN-LEAD OVER 1.27 MICROMETER [50 MICROINCH] MIN. NICKEL UNDERPLATE	BLACK	BLACK
10076443-102			BLUE	BLUE
10076443-103			IVORY	IVORY
10076443-104			BLACK	IVORY

A

B

C

D



Copyright FCI.

spec ref	*	dr	Beer Fu	2011/02/10	projection		size	A4	scale	1:1	
tolerance std	TOLERANCES UNLESS OTHERWISE SPECIFIED	eng	Beer Fu	2012/04/02			ecn no	-			
		chr	-	-				product family	rel level		
surface	✓	appr	Gary Hsieh	2012/04/02			Released				
linear	0.X	±0.38		title	DDR3 DIMM LSP		dwg no	10076443		rev	A
	0.XX	±0.25			VERTICAL P/F, 240 PINS, RDIMM, LLCR						
	0.XXX	±0.13									
angular	0°	±°	www.fci.com	cat. no.	*	Product - Customer Drw		sheet 5 of 5			

PreE File - REV C - 2009-06-09

2

3

PDS: Rev :A

STATUS:Released

Printed: Apr 03, 2012