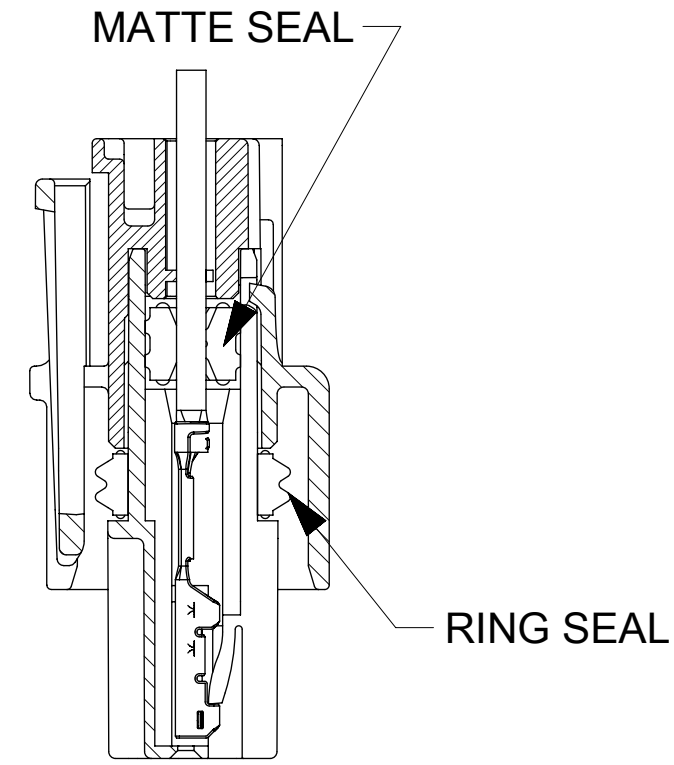
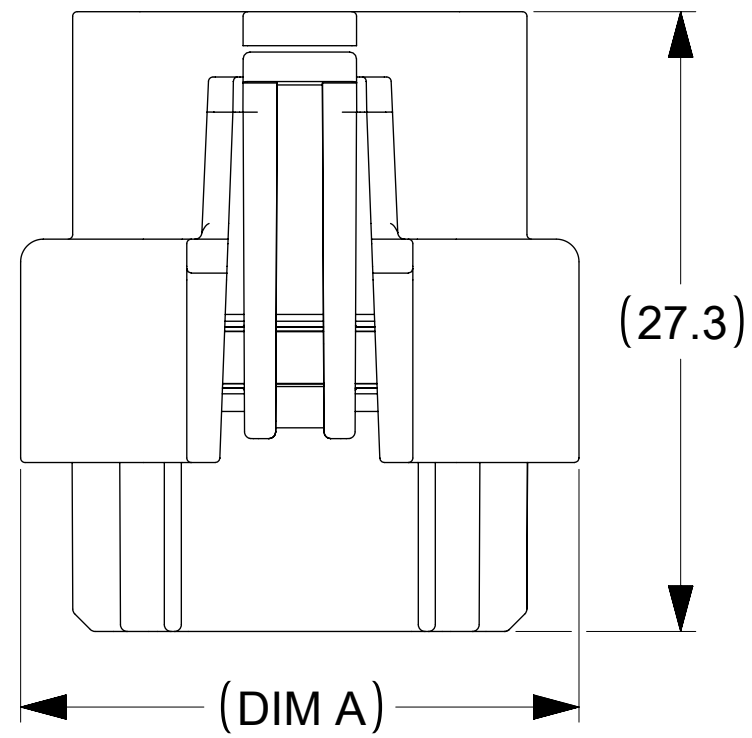
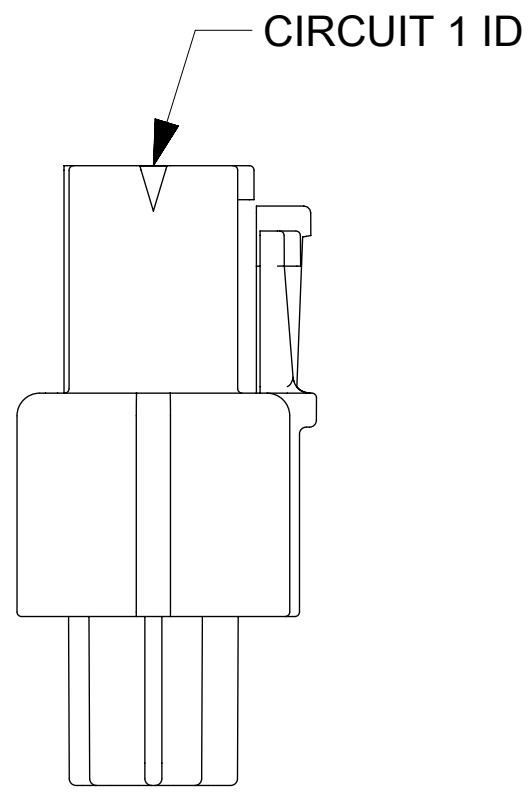
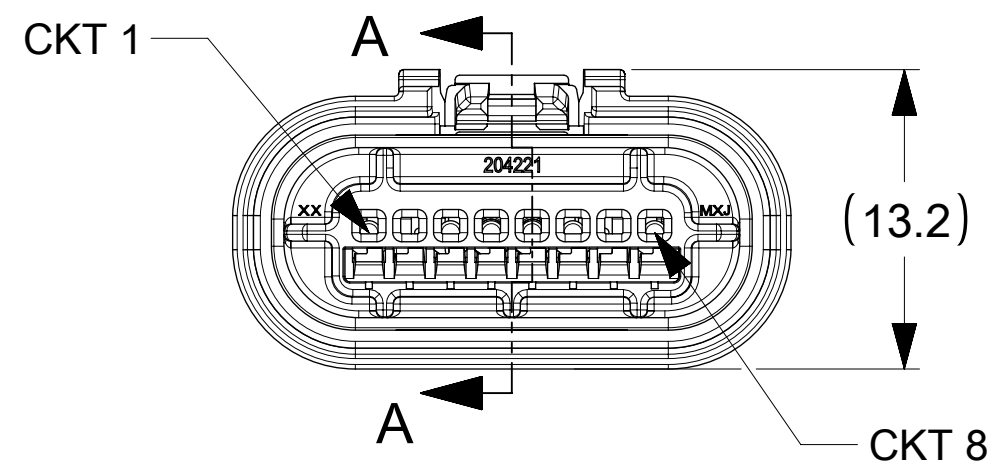


NOTES:

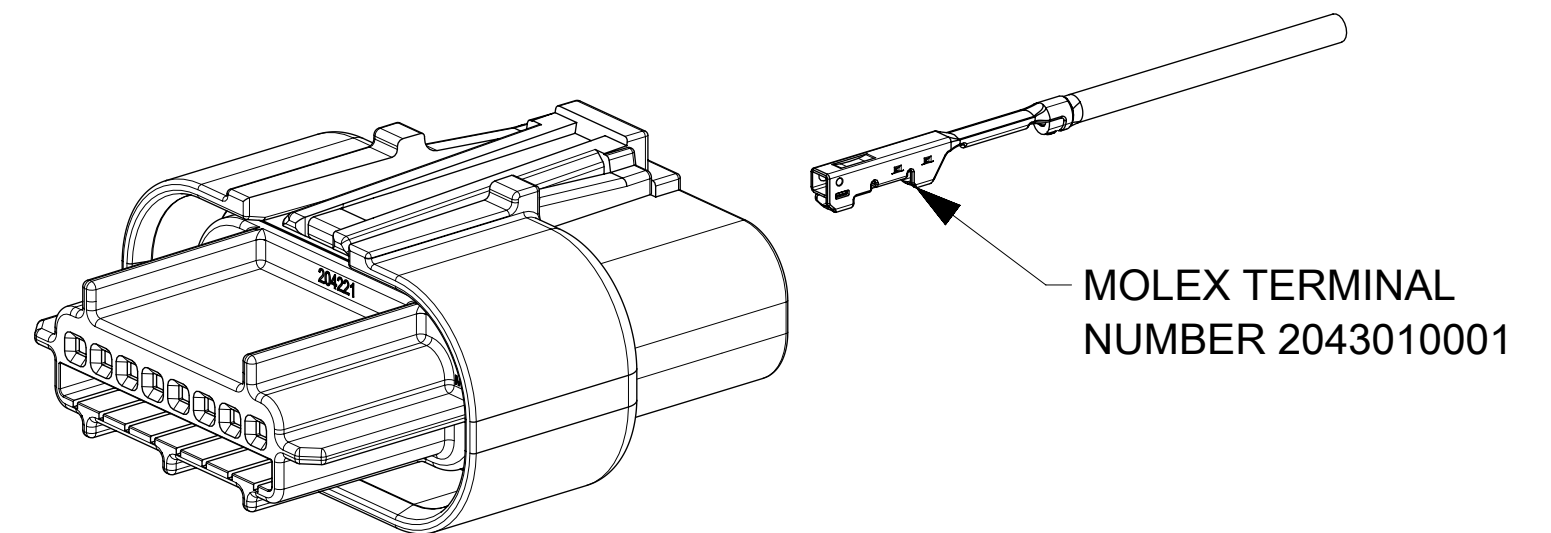
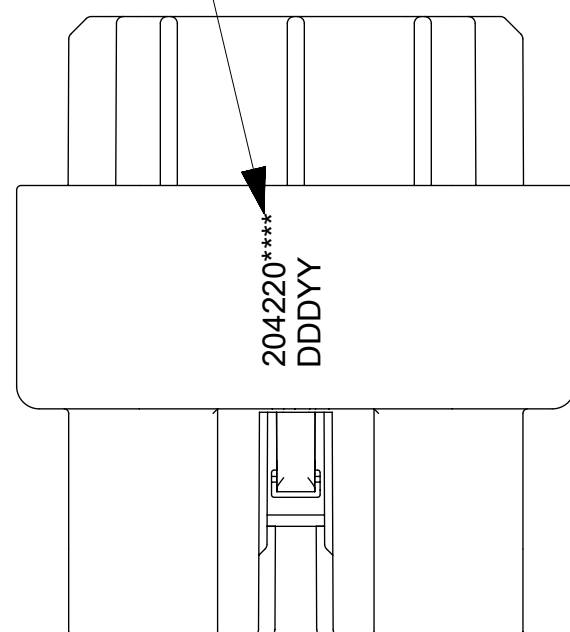
1. MATERIAL:
HOUSING & REAR SEAL CAP: NYLON, UL94V-0, COLOR: BLACK
SEALS: INHERENTLY LUBRICATED SILICONE
2. FINISH: NONE
3. PRODUCT SPECIFICATION: 2042200000-PS
4. APPLICATION SPECIFICATION: 2042200000-AS
5. PACKAGING SPECIFICATION: 2042200000-PK
6. PART MATES WITH PLUG SERIES 204223.
7. PART USES TERMINAL PART NUMBER 2043010001.
8. PART CONFORMS TO COSMETIC SPEC: PS-45499-002 CLASS C
9. VOIDED CIRCUITS HAVE A PLUG IN THE MATTE SEAL TO SEAL THE CIRCUIT AND WILL NOT ACCEPT TERMINALS.



SECTION A-A
TERMINAL SHOWN INSERTED
INTO HOUSING



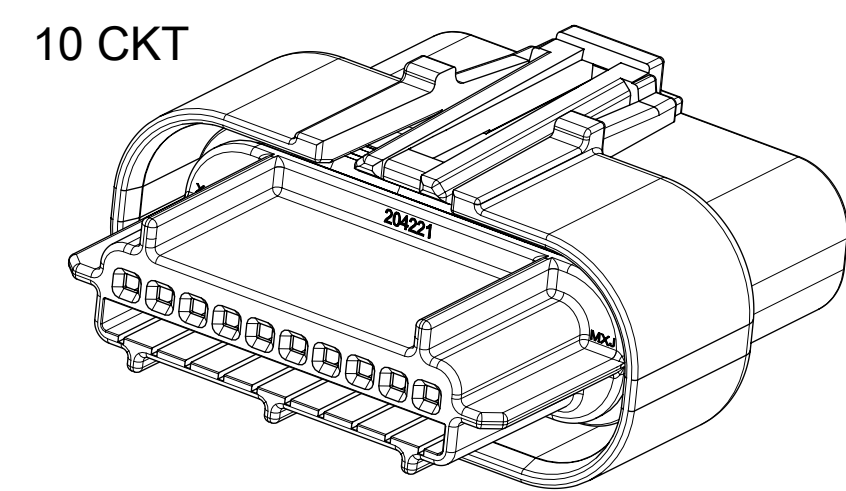
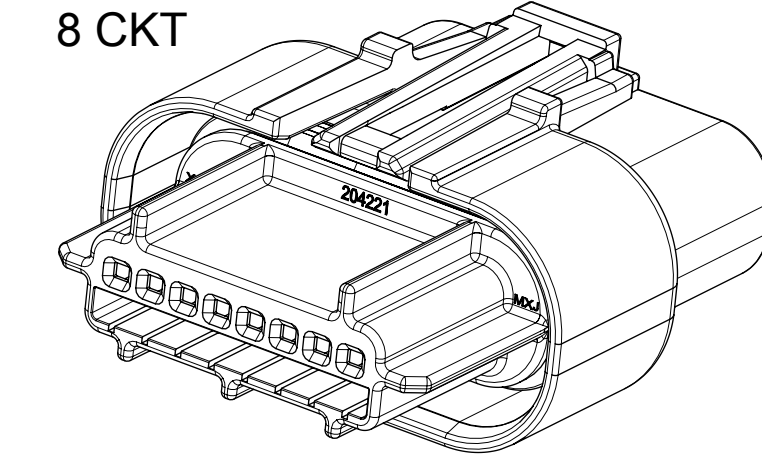
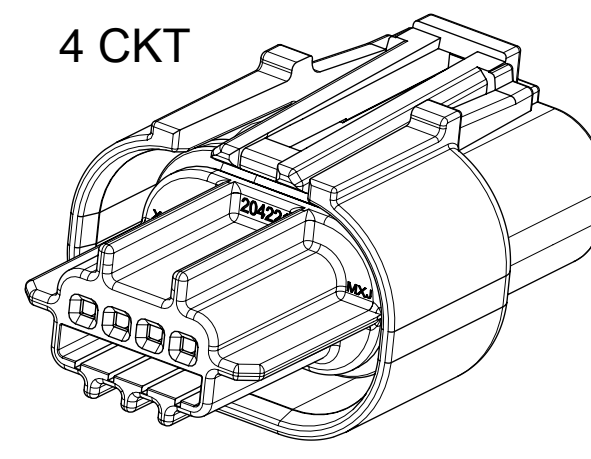
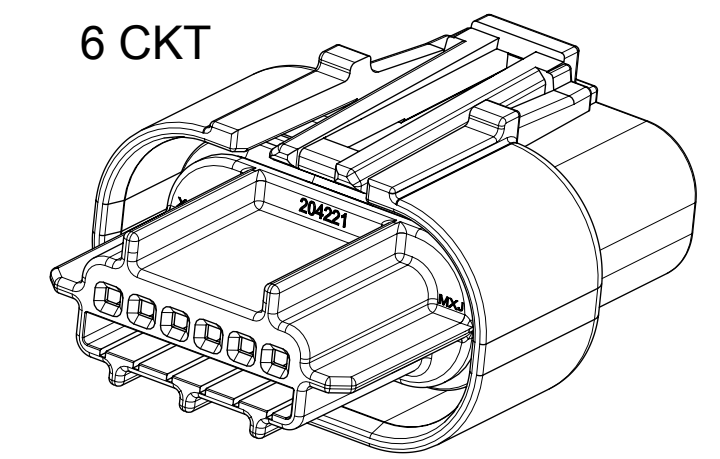
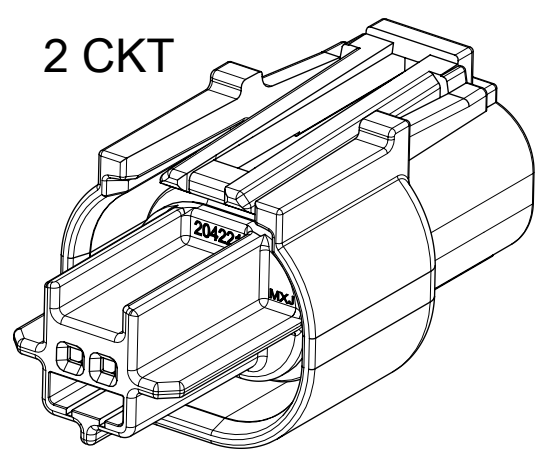
LASER MARK THIS SURFACE
MOLEX PART NUMBER AND
JULIAN DATE CODE: DDDYY



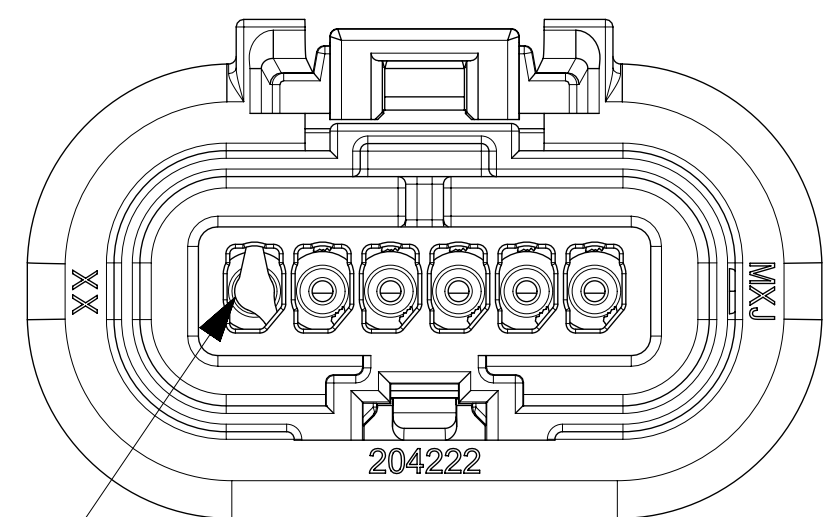
CIRCUIT SIZE	DIM A
2	13.8
4	17.4
6	21.0
8	24.6
10	28.2

FUNCTIONAL SYMBOLS	THIS DRAWING CONTAINS INFORMATION THAT IS PROPRIETARY TO MOLEX ELECTRONIC TECHNOLOGIES, LLC AND SHOULD NOT BE USED WITHOUT WRITTEN PERMISSION		CURRENT REV DESC: ADD -9808, -9708, AND -9608		molex
	DIMENSION UNITS	SCALE			
$\nabla_A = 0$	mm	3:1			RECEPTACLE ASSEMBLY SQUBA 1.8
$\nabla_C = 0$	GENERAL TOLERANCES (UNLESS SPECIFIED)				
$\nabla_P = 0$	ANGULAR TOL ± °				PRODUCT CUSTOMER DRAWING
DIVISIONAL SYMBOLS	4 PLACES ±		EC NO: 646267		
	3 PLACES ±		DRWN: MKIPPER 2020/08/26		
	2 PLACES ± 0.2		CHK'D: DSTEIER 2020/10/01		
	1 PLACE ±		APPR: FSMITH 2020/10/05		
	0 PLACES ±		INITIAL REVISION:		
	DRAFT WHERE APPLICABLE MUST REMAIN WITHIN DIMENSIONS		DRWN: TGREGORI 2017/04/26		DOCUMENT NUMBER
	THIRD ANGLE PROJECTION		APPR: RHODGE 2018/01/26		2042200000-SD
	DRAWING		SERIES		DOC TYPE
	C-SIZE		204220		PSD
	MATERIAL NUMBER		CUSTOMER		DOC PART
	SEE CHART		GENERAL MARKET		000
	SHEET NUMBER		1 OF 2		REVISION
					A7

CIRCUIT SIZE	MATERIAL NUMBER	VOIDED CIRCUIT SEE NOTE 9
2	204220-0002	NONE
4	204220-0004	NONE
6	204220-0006	NONE
8	204220-0008	NONE
10	204220-0010	NONE
2	204220-9902	ALL CIRCUITS VOIDED
4	204220-9904	ALL CIRCUITS VOIDED
6	204220-9906	ALL CIRCUITS VOIDED
8	204220-9908	ALL CIRCUITS VOIDED
10	204220-9910	ALL CIRCUITS VOIDED
4	204220-4004	4
6	204220-6006	6
8	204220-8008	8
10	204220-1110	10
8	204220-9808	1,2,5,6
8	204220-9708	5
8	204220-9608	3,6



AVAILABLE CIRCUIT SIZES



VOIDED CIRCUIT(S)
HAVE PLUG(S) PRESENT
SEE NOTE 9

FUNCTIONAL SYMBOLS	THIS DRAWING CONTAINS INFORMATION THAT IS PROPRIETARY TO MOLEX ELECTRONIC TECHNOLOGIES, LLC AND SHOULD NOT BE USED WITHOUT WRITTEN PERMISSION										
$\nabla_A = 0$	DIMENSION UNITS	SCALE	CURRENT REV DESC: ADD -9808, -9708, AND -9608							molex	
$\nabla_E = 0$	mm	3:1									
$\nabla_P = 0$	GENERAL TOLERANCES (UNLESS SPECIFIED)		EC NO: 646267							RECEPTACLE ASSEMBLY	
	ANGULAR TOL ± °		DRWN: MKIPPER							SQUABA 1.8	
	4 PLACES ±		2020/08/26							PRODUCT CUSTOMER DRAWING	
DIVISIONAL SYMBOLS	3 PLACES ±		CHK'D: DSTEIER							DOCUMENT NUMBER	
	2 PLACES ± 0.2		APPR: FSMITH							2042200000-SD	
	1 PLACE ±		INITIAL REVISION:							DOC TYPE	
	0 PLACES ±		DRWN: TGREGORI							PSD	
	DRAFT WHERE APPLICABLE MUST REMAIN WITHIN DIMENSIONS		THIRD ANGLE PROJECTION		DRAWING		SERIES		REVISION		
			C-SIZE		204220		MATERIAL NUMBER		SHEET NUMBER		
							SEE CHART		2 OF 2		
							CUSTOMER				
							GENERAL MARKET				