

"High Frequency Ceramic Solutions"

2.45 GHz Filter Balun, conjugate match to BC03 & BC04 BGA/CSP and MTK 6611/6612 chipsets

P/N 2450FB15M0001

Detail Specification: 05/05/2012

Page 1 of 3

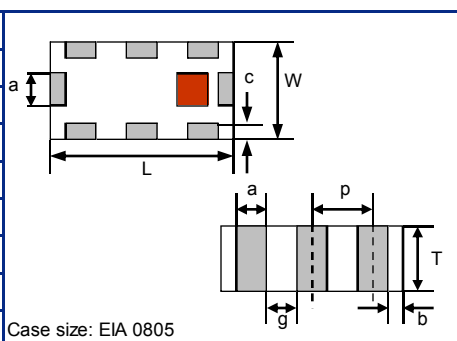
General Specifications

Part Number	2450FB15M0001
Frequency (MHz)	2400~2500
Unbalanced Impedance	50 Ω
Balanced Impedance	Conjugate match to BC03, BC04 BGA/CSP and MTK 6611/6612 chipsets
Insertion Loss	3.0 dB max.
Return Loss	9.5 dB min.
Phase Difference	180° ± 15
Amplitude Difference	2.0 dB max.

Attenuation (dB)	40 min.@ 880~960MHz
	35 min.@1710~1880 MHz
	25 min.@1880~1990MHz
	35 min.@4800~5000MHz
Operating Temperature	25 min.@7200~7500MHz
	-40 to +85 °C
Recommended Storage Conditions	+5 to +35°C, Humidity: 45-75%RH, 18 mos. Max
Input Power	1 Watt max.
Reel Quantity	4,000

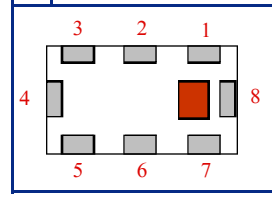
Mechanical Dimensions

	In	mm
L	0.079 ± 0.008	2.00 ± 0.20
W	0.049 ± 0.008	1.25 ± 0.20
T	0.028 ± 0.004	0.70 ± 0.10
a	0.012 ± 0.004	0.30 ± 0.10
b	0.008 ± 0.004	0.20 ± 0.10
c	0.012 +.004/-0.008	0.30 +0.1/-0.2
g	0.014 ± 0.004	0.35 ± 0.10
p	0.026 ± 0.002	0.65 ± 0.05



Terminal Configuration

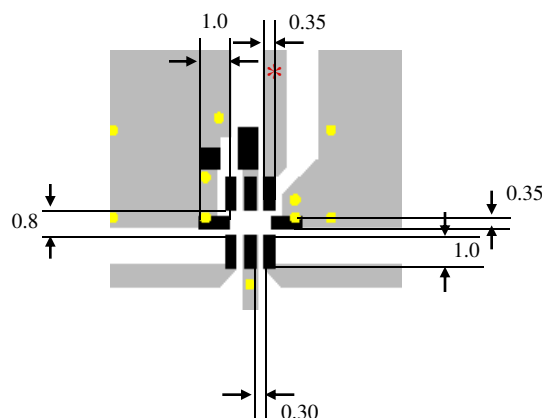
No.	Function
1	Unbalanced Port
2	NC or DC Feed
3	NC
4	GND
5	Balanced Port
6	GND
7	Balanced Port
8	GND



Mounting Considerations

* Line width should be designed to match 50 Ω characteristic impedance, depending on PCB material and thickness.

** By-pass capacitor should be connected when feeding DC power



Units: mm

- Solder Resist
- Land
- Through-hole (φ 0.3)

Johanson Technology, Inc. reserves the right to make design changes without notice.
All sales are subject to Johanson Technology, Inc. terms and conditions.

"High Frequency Ceramic Solutions"

2.45 GHz Filter Balun, conjugate match to BC03 & BC04 BGA/CSP
and MTK 6611/6612 chipsets

P/N 2450FB15M0001

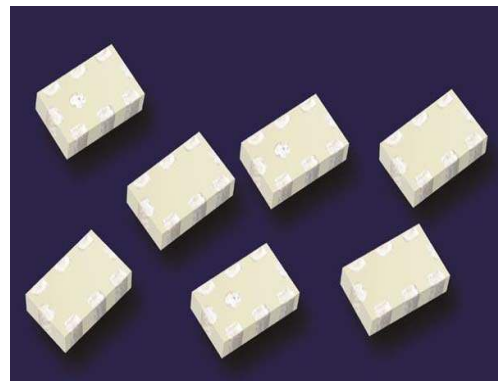
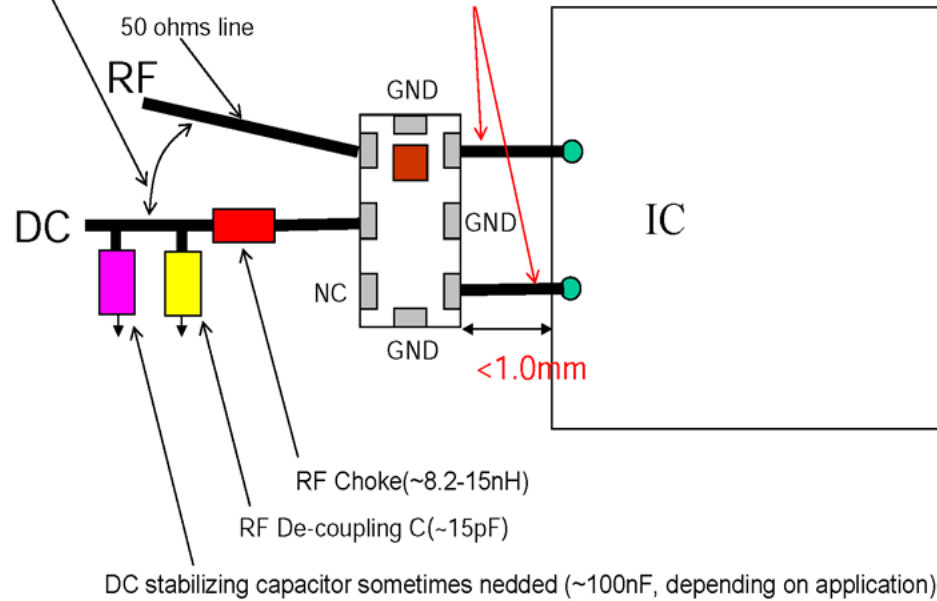
Detail Specification: 05/05/2012

Page 2 of 3

Technical Note for DC Feed

To avoid RF signal coupled to VCO via DC line, it is better to have larger spacing between RF and DC lines

1. Keep the same width and length for these two lines, and the length should be designed to be less than 1.0mm.
2. Line impedances are about 40~60 ohms.



Johanson Technology, Inc. reserves the right to make design changes without notice.

All sales are subject to Johanson Technology, Inc. terms and conditions.

JOHANSON
TECHNOLOGY



www.johansontechnology.com

4001 Calle Tecate • Camarillo, CA 93012 • TEL 805.389.1166 FAX 805.389.1821

2009 Johanson Technology, Inc. All Rights Reserved

"High Frequency Ceramic Solutions"

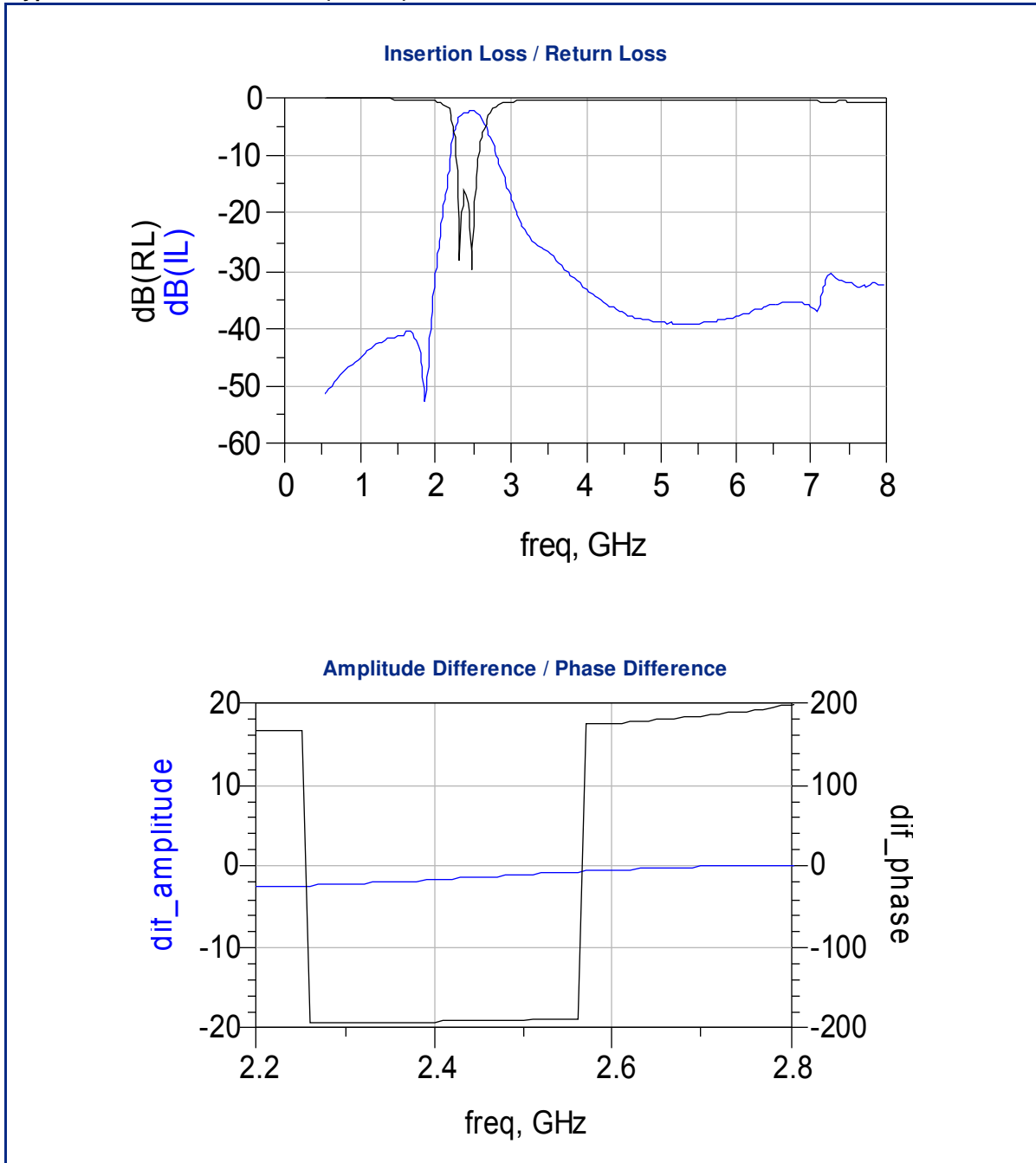
2.45 GHz Filter Balun, conjugate match to BC03 & BC04 BGA/CSP
and MTK 6611/6612 chipsets

P/N 2450FB15M0001

Detail Specification: 05/05/2012

Page 3 of 3

Typical Electrical Performance (T=25°C)



Johanson Technology, Inc. reserves the right to make design changes without notice.

All sales are subject to Johanson Technology, Inc. terms and conditions.



www.johansontechnology.com

4001 Calle Tecate • Camarillo, CA 93012 • TEL 805.389.1166 FAX 805.389.1821

2009 Johanson Technology, Inc. All Rights Reserved